

备注:

1.材质:

1.1胶芯:LCP+30%G.F UL94V-0

1.2端子:C18400, T=0.12mm;

1.3外壳:不锈钢, T=0.30mm; 表面镀镍, 盐雾24H

1.4中夹片:不锈钢, T=0.15mm;

1.5EMI:不锈钢, T=0.10mm;

2.主要特性:

2.1额定电流:3A MAX

2.2接触阻抗:40mΩ MAX

2.3绝缘阻抗:100MΩ MIN

2.4额定电压:30V MAX

2.5耐电压:AC100V r.m.s

2.6整体插入力:5-20n 整体拔出力:8-20n.耐久10000次

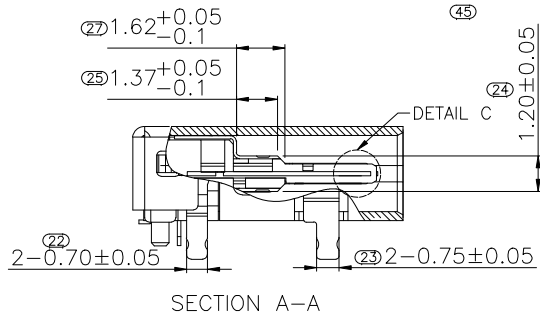
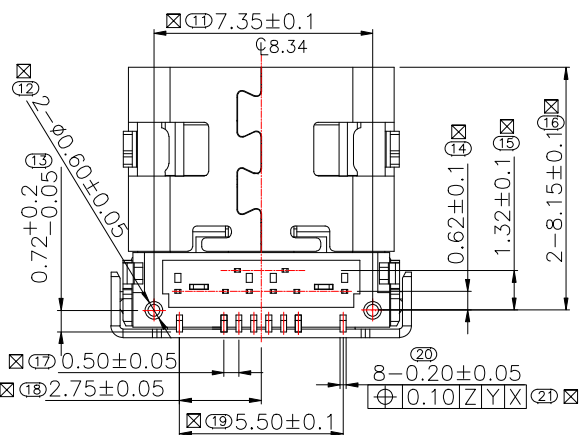
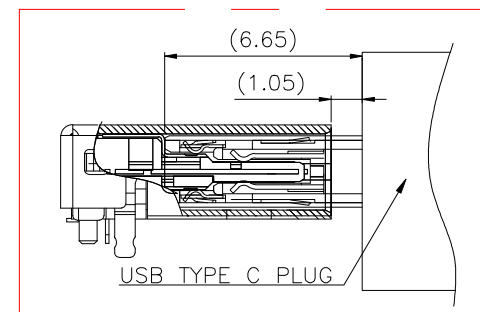
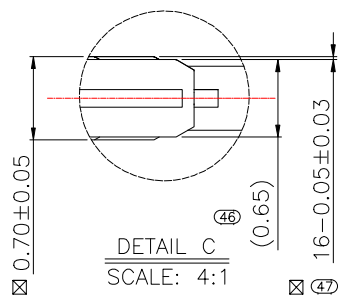
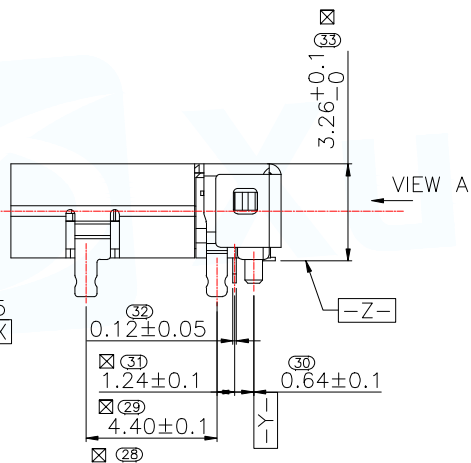
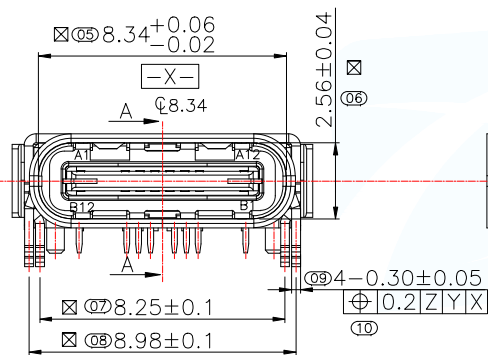
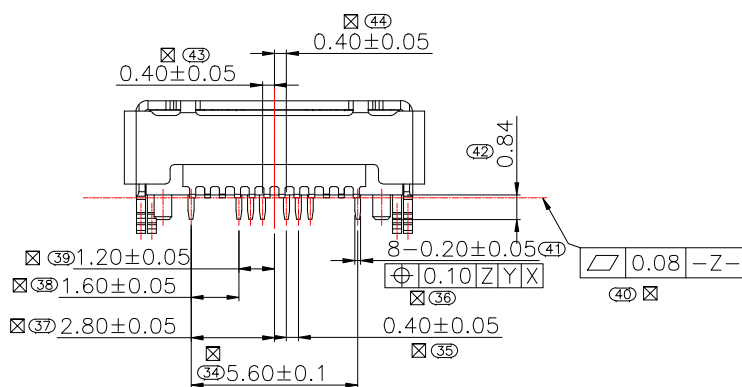
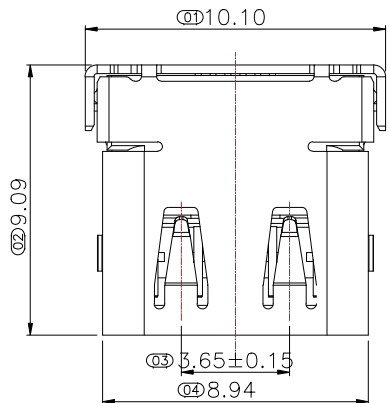
2.7.耐高温:SMT回流焊(峰值 $260 \pm 5^\circ$ ), 塑胶不能有起泡, 融胶等不良, 变色, 翘曲变形在公差范围以内;

2.8.产品须做焊锡测试, 粘锡面积达到95%以上;

2.9.图示标有"☒"符号者为SIP量测尺寸;

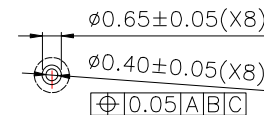
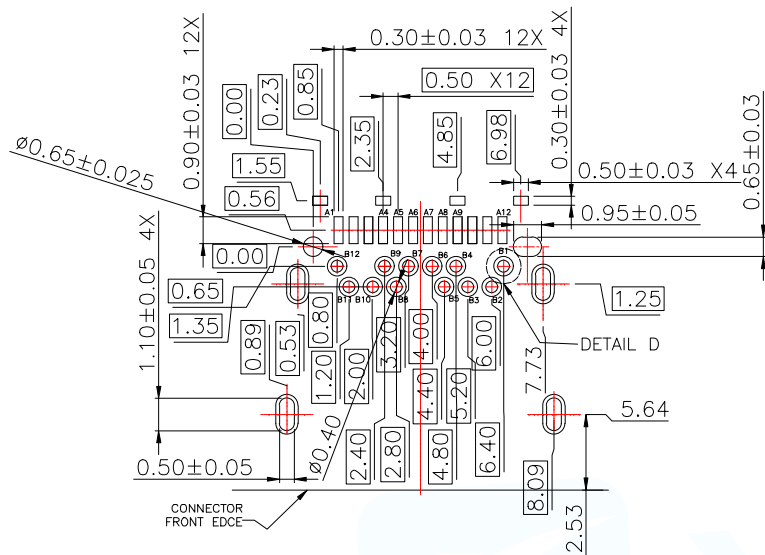
3.0.图示标有"⊗"符号者为FAI量测尺寸;

3.1.工作温度: $-30^\circ\text{C} \sim +85^\circ\text{C}$



MANUFACTURE DWG			东莞市讯普电子科技有限公司 DongGuan XunPu Electronics Co.,Ltd	
UNLESS OTHERWISE SPECIFIED TOLERANCES			TITLE: TYPE C母座前插后贴16PIN	
DECIMALS:	ANGLES:	PAR	TYPEC-330DDS-ACP16	
.X:±0.10	.X':±5°	DWN		
.XX:±0.05	.XX':±2°	CHKD		
.XXX:±0.02		APVD		
CUSTOMER COPY		SCALE1:1	UNIT:MM	
		SIZE:A4	SHEET:1F1	REV:A

MAPX	MODIFICATION	DATE	DRAW	APPROVE



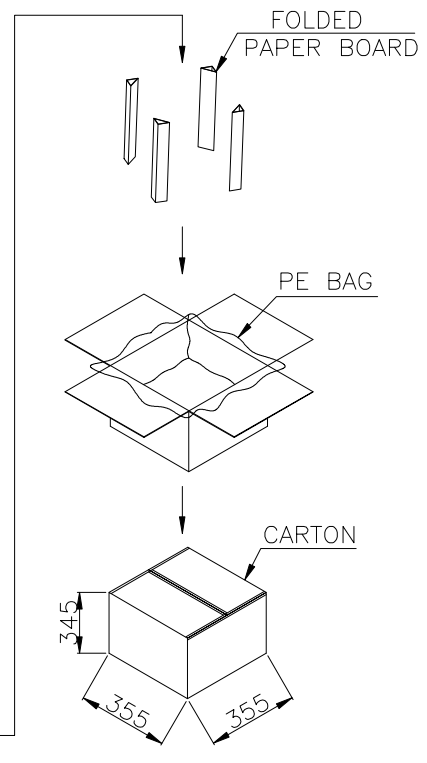
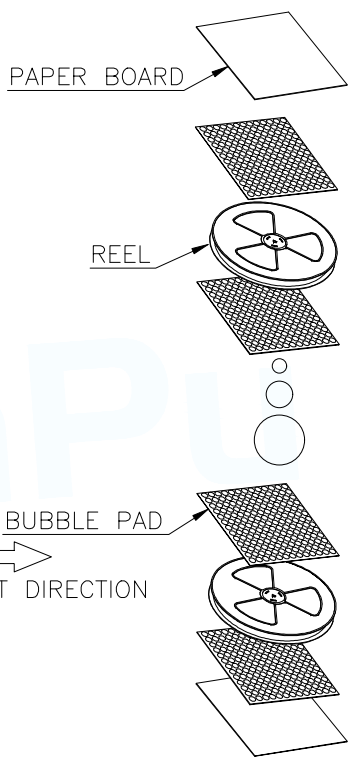
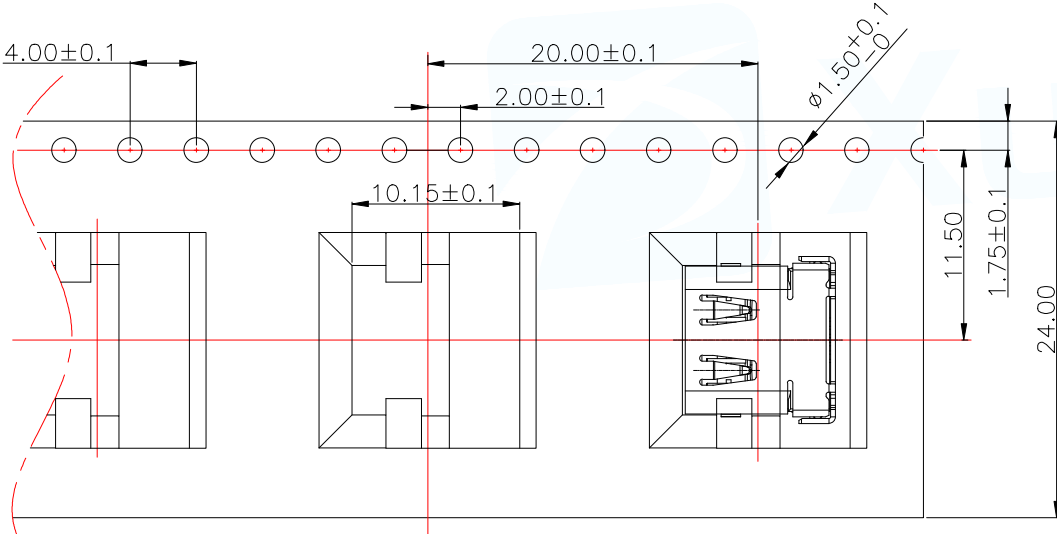
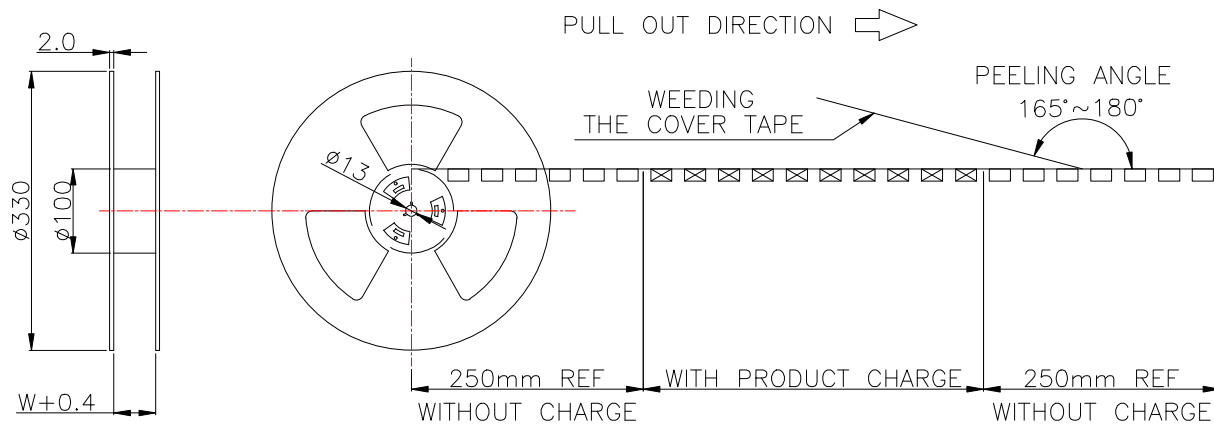
SECTION D-D

RECOMMENDED P.C.B. LAYOUT (T:1.00mm)  
TOLERANCE UNSPECIFIED ±0.05mm

USB TYPE-C FULL-FEATURED RECEPTACLE INTERFACE PIN ASSIGNMENTS

PIN	Signal Name	Description	PIN	Signal Name	Description
A1	GND	Ground return	B12	GND	Ground return
A4	VBUS	Bus Power	B9	VBUS	Bus Power
A5	CC1	Configuration Channel	B8	SBU2	Sideband Use (SBU)
A6	Dp1	Positive half of the USB 2.0 differential pair-Position 1	B7	Dn2	Negative half of the USB 2.0 differential pair-Position 2
A7	Dn1	Negative half of the USB 2.0 differential pair-Position 1	B6	Dp2	Positive half of the USB 2.0 differential pair-Position 2
A8	SBU1	Sideband Use(SBU)	B5	CC2	Configuraation Channel
A9	VBUS	Bus Power	B4	VBUS	Bus Power
A12	GND	Ground return	B1	GND	Ground return

MANUFACTURE DWG			 东莞市讯普电子科技有限公司 DongGuan XunPu Electronics Co.,Ltd	
UNLESS OTHERWISE SPECIFIED TOLERANCES			TITLE: TYPE C母座前插后贴16PIN	
DECIMALS:	ANGLES:	PAR	TYPEC-330DDS-ACP16	
.X:±0.10	.X':±5°	DWN		
.XX:±0.05	.XX':±2°	CHKD		
.XXX:±0.02		APVD		
CUSTOMER COPY		SCALE1:1	UNIT:MM	
		SIZE:A4	SHEET:1F1	REV:A



NOTE:  
1. QUANTITY: 700 PCS/REEL, 7000PCS/CARTON.

MANUFACTURE DWG		 东莞市讯普电子科技有限公司 DongGuan XunPu Electronics Co., Ltd	
UNLESS OTHERWISE SPECIFIED TOLERANCES		TITLE: TYPE C母座前插后贴16PIN	
DECIMALS:	ANGLES:	PAR	TYPEC-330DDS-ACP16
.X:±0.10	.X°:±5°	DWN	
.XX:±0.05	.XX°:±2°	CHKD	
.XXX:±0.02		APVD	
CUSTOMER COPY		SCALE1:1	UNIT:MM
		SIZE:A4	SHEET:1F1
			REV:A

## X-ON Electronics

Largest Supplier of Electrical and Electronic Components

*Click to view similar products for [USB Connectors](#) category:*

*Click to view products by [XUNPU](#) manufacturer:*

Other Similar products are found below :

[950](#) [A-USB A-LP-SMT-C](#) [A-USB B-TOP-C](#) [MUSBD11135](#) [17-200721](#) [217450-1](#) [KMBVX-TH-5S-B30](#) [KUSBX-AS2N-W](#) [KUSBX-SMT2AP1S-W30](#) [935](#) [957](#) [30-498-6](#) [SK-60A-2](#) [1734082-1](#) [30-470](#) [30-489](#) [30-541](#) [MAB 5 S](#) [A-USB A-2P-C](#) [MIKROE-1451](#)  
[USBFTVSCCG](#) [1-1734084-2](#) [MUSBA81130](#) [NK-27-32SL](#) [NK-L8-22C-5/8](#) [10135326-001LF](#) [4198](#) [690-024-633-031](#) [UB-20PMFP-LC7001](#)  
[17-200011](#) [UB-20AFMM-LL7A01](#) [CAP-WCCMLPB1](#) [CAP-WCCMLPC1](#) [2274475-3](#) [914-614A2025S10200](#) [USB3FTV7SAGF059](#)  
[USB3FTV2SAZNF459](#) [USB3FTV7SAZNF459](#) [U221-041N-1WVS62-F5D](#) [HYCW153-USBD05-500B](#) [HYCW219-USBD05-075B](#)  
[HYCW148-USBD05-117B](#) [HYCW149-USBD05-740B](#) [HYCW204-USBD05-108B](#) [HYCW214-USBA04-113B](#) [HYCW213-USBA04-113B](#)  
[KMMX-BSMT35S-1-B30TR](#) [2345986-1](#) [10082141-N340LF](#) [10117836-011LF](#)