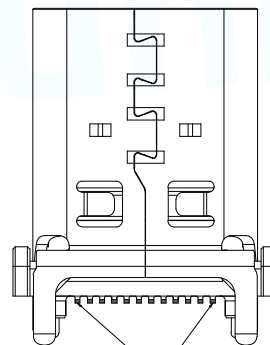
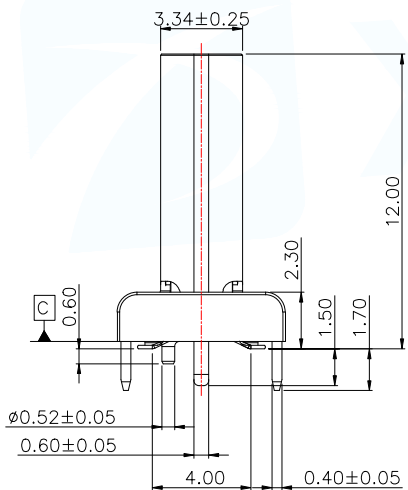
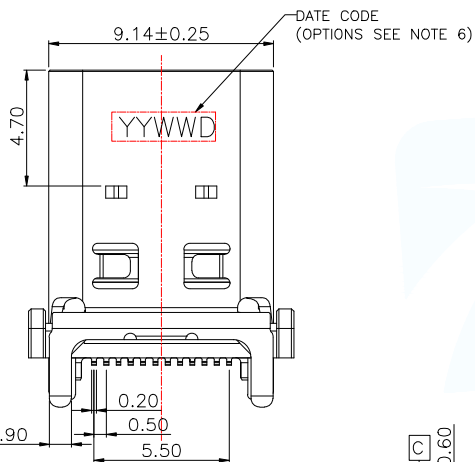


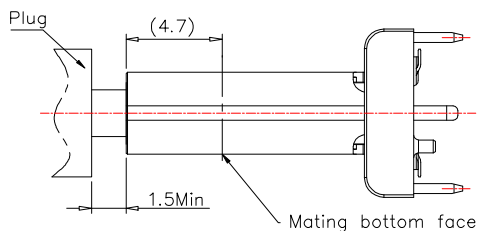
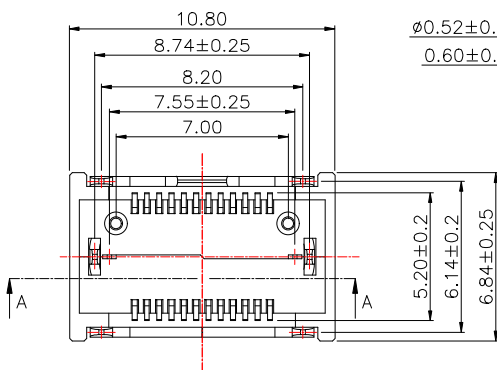
Section A-A

NOTE:

- PLATING SPECIFICATION:
 - CONTACTS:
 - Ni 50u" MIN. UNDER PLATED OVER ALL.
 - Au PLATED ON THE FUNCTIONAL AREA OF CONTACT. (GOLD PLATING THICKNESS FOLLOW THE P/N)
 - 80u" MIN TIN PLATED ON SOLDER AREA.
 - FRONT SHELL:
 - Ni 50u" MIN. UNDER PLATED OVER ALL.
 - MID PLATE:
 - Ni 50u" MIN. UNDER PLATED OVER ALL.
 - EMI PLATE:
 - CLEAR ONLY
- MECHANICAL PERFORMANCE,
 - INSERTION FORCE: 0.5~2.0kgf.
 - REMOVAL FORCE: Initial 0.8~2.0kgf; After durability 0.6~2.0kgf.
 - DURABILITY: 10000 CYCLES.
- ELECTRICAL PERFORMANCE,
 - CURRENT RATING: 1.25A for A4/A9/B4/B9 PIN, 5.0A for Other PINS
VOLTAGE RATING: 5.0V
 - LLCR:
 - VBUS & GND PINS AND OTHER PINS: 40mA/PIN MAX.
 - SHIELD: 50mA/MAX.
 - LLCR MAX. CHANGE OF ALL PINS: 10mA.
 - INSULATION RESISTANCE: 100MΩ MIN
 - DIELECTRIC WITHSTAND VOLTAGE, AC 100VAC FOR 1 MINUTE.
- ENVIRONMENTAL PERFORMANCE:
 - OPERATING TEMPERATURE: -55°C~+85°C.
- IR REFLOW:
 - THE PEAK TEMPERATURE ON THE BOARD SHALL BE MAINTAINED FOR 10 SECONDS AT 260°C.



0.10 Solder tail (All)



| NO. | PART NAME | MATERIAL | FINISH | QTY |
|-----|-----------|-----------------------|---------------------|-----|
| 6 | EMI-SHELL | STAINLESS STEEL | NO PLATING | 1 |
| 5 | MID-PLATE | STAINLESS STEEL | 50u" Ni Min PLATING | 1 |
| 4 | SHELL | STAINLESS STEEL | 50u" Ni Min PLATING | 1 |
| 3 | CONTACT | COPPER ALLOY | Au plating overall | 24 |
| 2 | 1/Molding | THERMOPLASTIC PLASTIC | BLACK,UL 94V-0 | 2 |
| 1 | 3/Molding | THERMOPLASTIC PLASTIC | BLACK,UL 94V-0 | 1 |

MANUFACTURE DWG

东莞市讯普电子科技有限公司
DongGuan XunPu Electronics Co.,Ltd

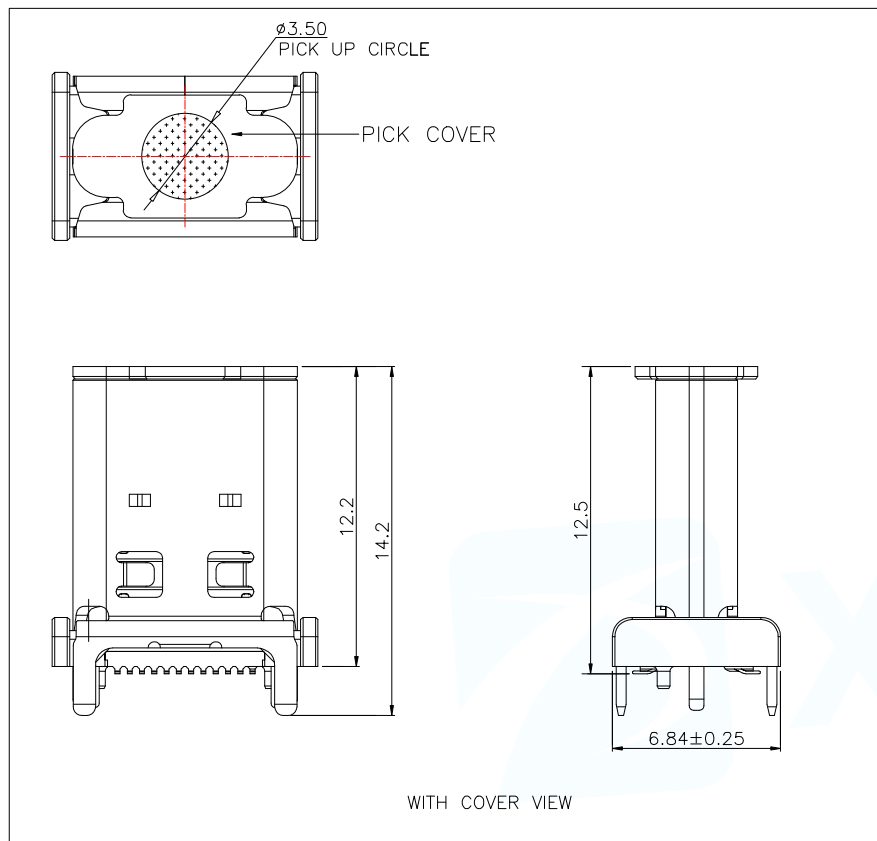
UNLESS OTHERWISE SPECIFIED TOLERANCES



TITLE: USB TYPE C 24PIN REC H=12.0mm Vertical TYPE

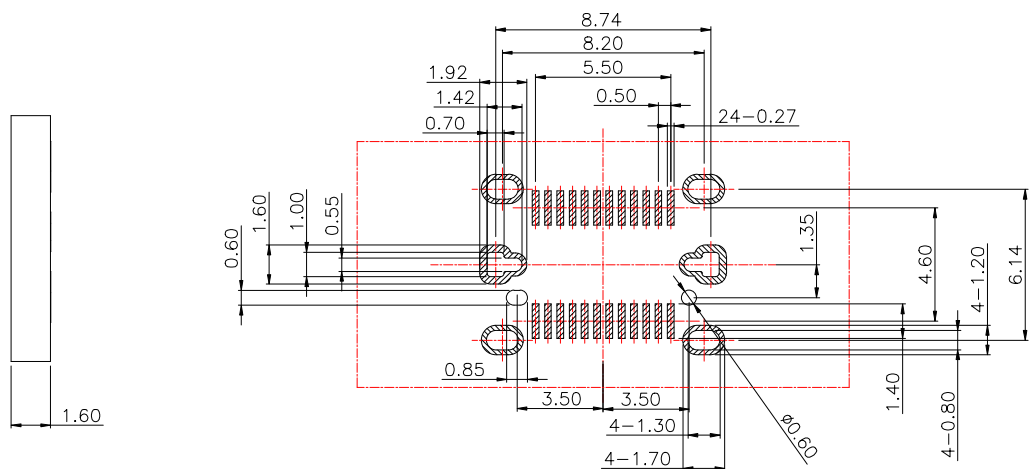
| | |
|------------|----------|
| DECIMALS: | ANGLES: |
| .X:±0.30 | X':±10' |
| .XX:±0.20 | .X':±8' |
| .XXX:±0.10 | .XX':±5' |

| | |
|-----------|------------------|
| PAR | TYPEC-513L-ACP24 |
| DWN | |
| CHKD | |
| APVD | |
| SCALE:1:1 | UNIT:MM |
| SIZE:A4 | SHEET:1F1 |
| | REV:A |



PIN DEFINE:

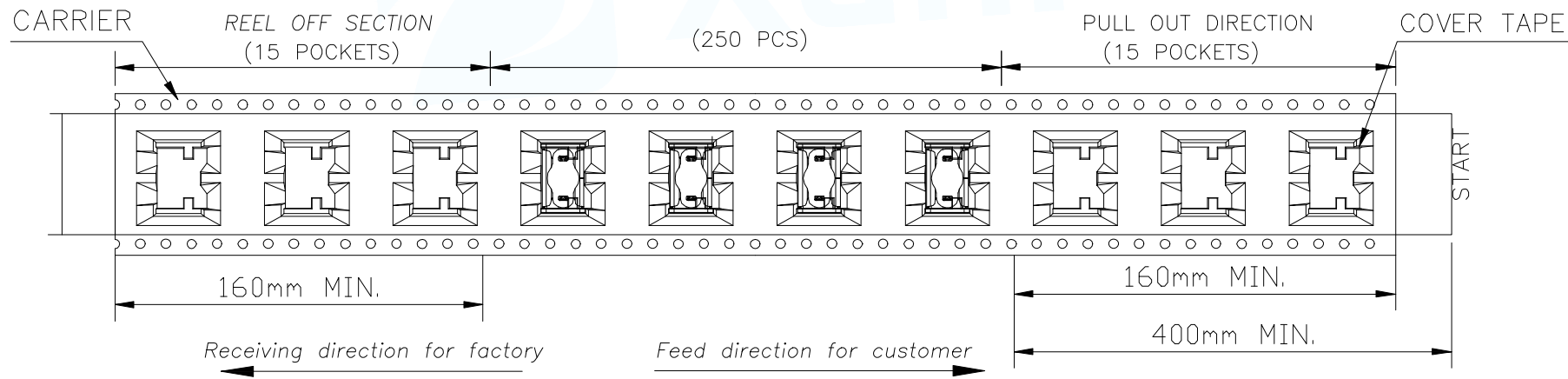
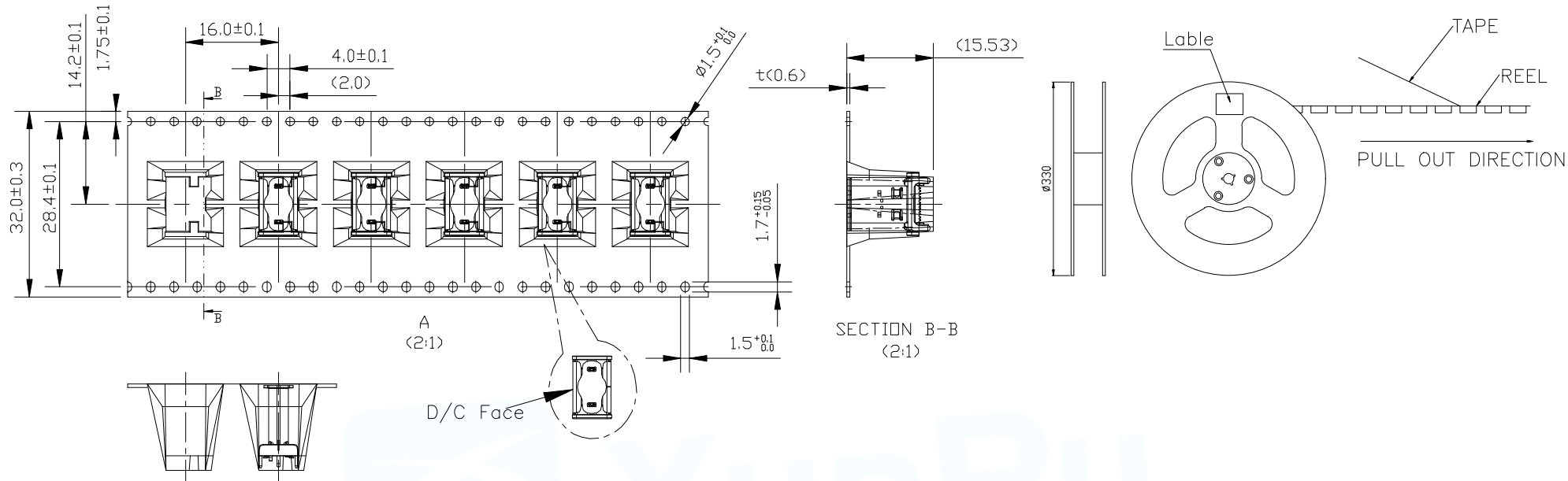
| Pin | Signal Name | Description | Mating Sequence | Pin | Signal Name | Description | Mating Sequence |
|-----|-------------|---|-----------------|-----|-------------|---|-----------------|
| A1 | GND | Ground return | First | B12 | GND | Ground return | First |
| A2 | SSTxp1 | Positive half of first SuperSpeed TX differential pair | Second | B11 | SSRXp1 | Positive half of first SuperSpeed RX differential pair | Second |
| A3 | SSTXn1 | Negative half of first SuperSpeed TX differential pair | Second | B10 | SSRXn1 | Negative half of first SuperSpeed RX differential pair | Second |
| A4 | Vbus | Bus Power | First | B9 | Vbus | Bus Power | First |
| A5 | CC1 | Configuration Channel | Second | B8 | SBU2 | Sideband Use(SBU) | Second |
| A6 | Dp1 | Positive half of the USB 2.0 differential pair-Position 1 | Second | B7 | Dn2 | Negative half of the USB 2.0 differential pair-Position 2 | Second |
| A7 | Dn1 | Negative half of the USB 2.0 differential pair-Position 1 | Second | B6 | Dp2 | Positive half of the USB 2.0 differential pair-Position 2 | Second |
| A8 | SBU1 | Sideband Use(SBU) | Second | B5 | CC2 | Configuration Channel | Second |
| A9 | Vbus | Bus Power | First | B4 | Vbus | Bus Power | First |
| A10 | SSRXn2 | Negative half of second SuperSpeed RX differential pair | Second | B3 | SSTXn2 | Negative half of second SuperSpeed TX differential pair | Second |
| A11 | SSRXp2 | Positive half of second SuperSpeed RX differential pair | Second | B2 | SSTXp2 | Positive half of second SuperSpeed TX differential pair | Second |
| A12 | GND | Ground return | First | B1 | GND | Ground return | First |



RECOMENDED PCB LAYOUT
TOL: ±0.05

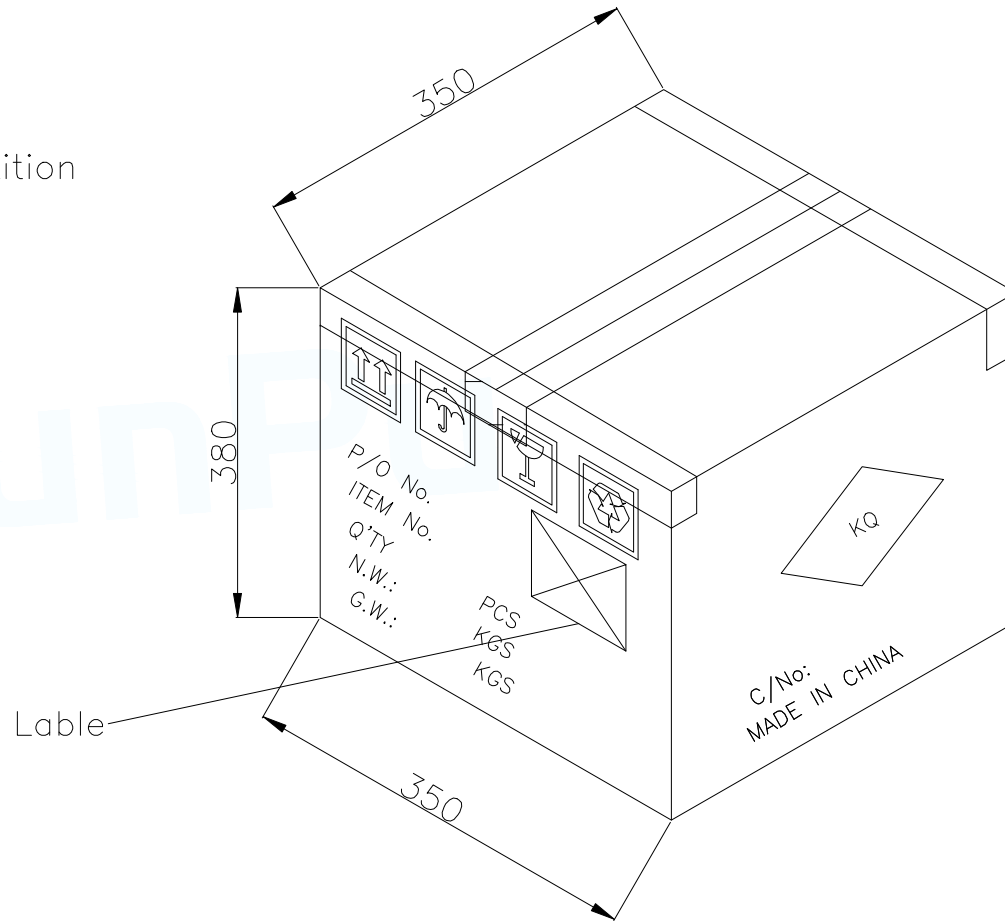
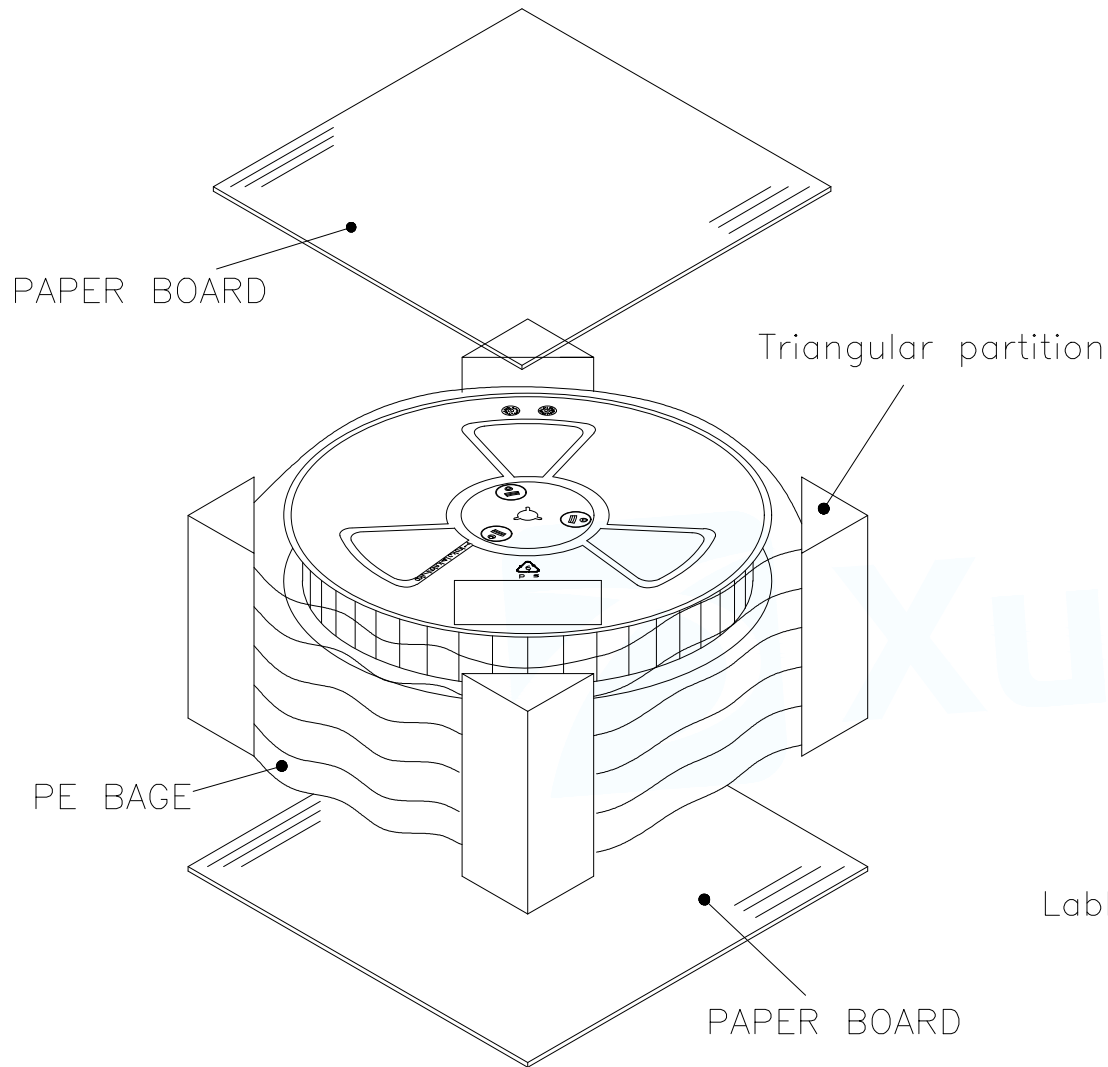
| | | | | |
|---------------------------------------|----------|---|---|---|
| MANUFACTURE DWG | |  |  东莞市讯普电子科技有限公司 DongGuan XunPu Electronics Co.,Ltd | |
| UNLESS OTHERWISE SPECIFIED TOLERANCES | | | TITLE:USB TYPE C 24PIN REC H=12.0mm Vertical TYPE | |
| DECIMALS: | ANGLES: | PAR | TYPEC-513L-ACP24 | |
| .X:±0.30 | .X':±10° | DWN | | |
| .XX:±0.20 | .X'':±8° | CHKD | | |
| .XXX:±0.10 | .XX':±5° | APVD | | |
| CUSTOMER COPY | | SCALE1:1 | UNIT:MM |  |
| | | SIZE:A4 | SHEET:1F1 | REV:A |

| | | | | |
|------|--------------|------|------|---------|
| MAPX | MODIFICATION | DATE | DRAW | APPROVE |
| | | | | |



| | | | | |
|---------------------------------------|-----------|---|--|------------------|
| MANUFACTURE DWG | |  东莞市讯普电子科技有限公司 DongGuan XunPu Electronics Co.,Ltd | TITLE:USB TYPE C 24PIN REC H=12.0mm Vertical TYPE | |
| UNLESS OTHERWISE SPECIFIED TOLERANCES | | | PAR | TYPEC-513L-ACP24 |
| DECIMALS: | ANGLES: | DWN | | |
| .X:±0.30 | .X'.:±10' | CHKD | | |
| .XX:±0.20 | .X'':±8' | APVD | | |
| .XXX:±0.10 | .XX':±5' | SCALE1:1 | UNIT:MM | |
| CUSTOMER COPY | | SIZE:A4 | SHEET:1F1 | |
| | | | REV:A | |

| | | | | |
|------|--------------|------|------|---------|
| MAPX | MODIFICATION | DATE | DRAW | APPROVE |
| | | | | |



| PART NUMBER | PCS/REEL | REEL/BOX | PCS/BOX |
|------------------|----------|----------|---------|
| TYPEC-513L-ACP24 | 250 | 10 | 2500 |

| | | | | |
|---------------------------------------|----------|---|---|---|
| MANUFACTURE DWG | |  |  东莞市讯普电子科技有限公司 DongGuan XunPu Electronics Co.,Ltd | |
| UNLESS OTHERWISE SPECIFIED TOLERANCES | | | TITLE:USB TYPE C 24PIN REC H=12.0mm Vertical TYPE | |
| DECIMALS: | ANGLES: | PAR | TYPEC-513L-ACP24 | |
| .X:±0.30 | .X':±10° | DWN | | |
| .XX:±0.20 | .X'':±8° | CHKD | | |
| .XXX:±0.10 | .XX':±5° | APVD | | |
| CUSTOMER COPY | | SCALE1:1 | UNIT:MM |  |
| | | SIZE:A4 | SHEET:1F1 | REV:A |

X-ON Electronics

Largest Supplier of Electrical and Electronic Components

Click to view similar products for [USB Connectors](#) category:

Click to view products by [XUNPU](#) manufacturer:

Other Similar products are found below :

[950](#) [MUSBD11135](#) [17-200721](#) [217450-1](#) [KMBVX-TH-5S-B30](#) [KUSBX-AS2N-W](#) [KUSBX-SMT2AP1S-W30](#) [935](#) [957](#) [30-498-6](#) [SK-60A-2](#)
[1734082-1](#) [30-470](#) [30-489](#) [30-541](#) [A-USB A-2P-C](#) [MIKROE-1451](#) [USBFTVSCCG](#) [1-1734084-2](#) [10135326-001LF](#) [4198](#) [USB-A-D-VT](#)
[USB-A-S-RA-TSMT](#) [1310-1023-02](#) [690-024-633-031](#) [UB-20PMFP-LC7001](#) [17-200011](#) [UB-20AFMM-LL7A01](#) [1040870124](#) [CAP-](#)
[WCCMLPB1](#) [CAP-WCCMLPC1](#) [2274475-3](#) [UB-20BMFA-SL8001](#) [914-614A2025S10200](#) [USB3FTV7SAGF059](#) [ZX40-B-5S-1500-](#)
[STDA\(30\)](#) [GSB3116344HR](#) [USB3FTV2SAZNF459](#) [USB3FTV7SAZNF459](#) [U221-041N-1WVS62-F5D](#) [HYCW153-USBD05-500B](#)
[HYCW219-USBD05-075B](#) [HYCW148-USBD05-117B](#) [HYCW149-USBD05-740B](#) [HYCW204-USBD05-108B](#) [HYCW214-USBA04-113B](#)
[HYCW213-USBA04-113B](#) [UB-20AMFM-SL7A01](#) [KMMX-BSMT35S-1-B30TR](#) [2345986-1](#)