

- Specifications:
- 1.0 Electrical performance:
    - 1.1 Contact resistance: 40mΩ max for initial.  
10mΩ change after test. measure at 20mv, 100mA.
    - 1.2 Dielectric withstanding voltage: AC 100V(rms).
    - 1.3 Insulation resistance: 100MΩ min.
    - 1.4 Contact current rating: 3A
    - 1.5 Voltage: 20 Vac (rms).
  - 2.0 mechanical performance:
    - 2.1 Mating force: 5~20N
    - 2.2 Unmating force: 8~20N Initial test, 6~20N After test
    - 2.3 Durability: 10,000 cycles.
  - 3.0 Environmental performance:
    - 3.1 Temperature range:
      - 3.2 Operating temperature: -40°to+85°.
      - 3.3 Storage temperature: -20°to+60°.
4. With "▲" for the key control size

NO	PART	Q'TY	Material
1	SHELL	1	STAINLESS STEEL 304, 50u"MIN NICKEL PLATING
2	EMI Plate	1	STAINIESS STEEL 301,NI 30u" MIN PLATED(SEE THE PART NUMBER CODE:)
3	Mid Plate	1	STAINIESS STEEL 301, NO PLATED
4	CONTACT	16	COPPER STEEL C18400,Au(PART NUMBER CODE) plated on contact area Matte Tin plated 50u"min(Or GF) on solder area; Nickel 50u"min underplating over all.
5	HOUSING	1	LCP BLACK UL94 V-0

MANUFACTURE DWG

UNLESS OTHERWISE SPECIFIED TOLERANCES

DECIMALS: .X:±0.30 .XX:±0.20 .XXX:±0.10

ANGLES: X':±10° .X':±8° .XX':±5°

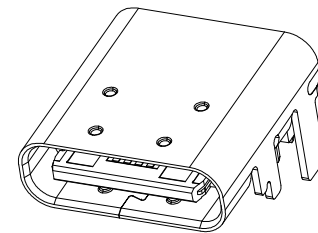
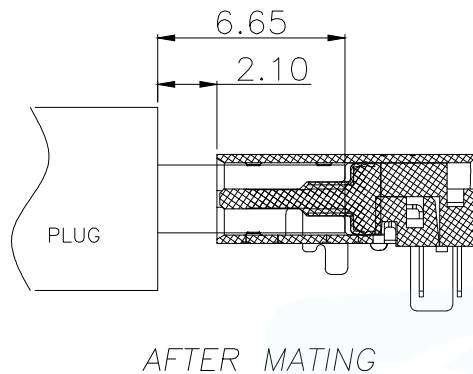
东 莞 市 讯 普 电 子 科 技 有 限 公 司  
DongGuan XunPu Electronics Co.,Ltd

TITLE: USB Type-C Receptacle  
16PIN DIP CH1.88

PAR	TYPE-C-613-WDR
DWN	
CHKD	
APVD	

SCALE: N/A UNIT: MM

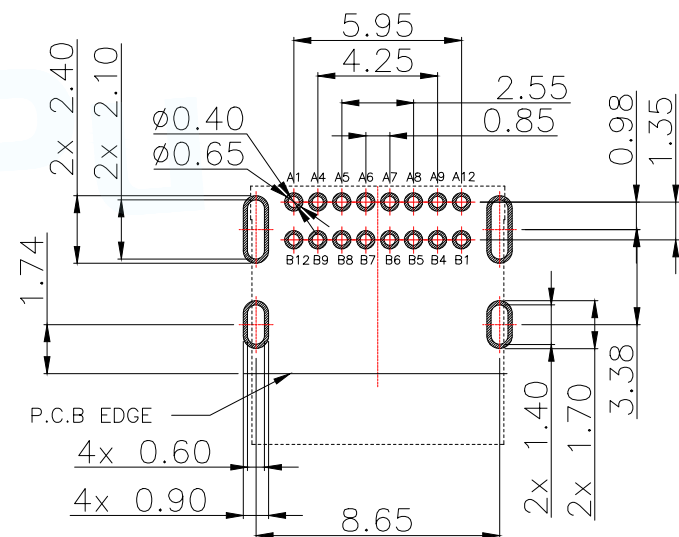
CUSTOMER COPY SIZE: A4 SHEET: 1F1 REV: A



AFTER MATING

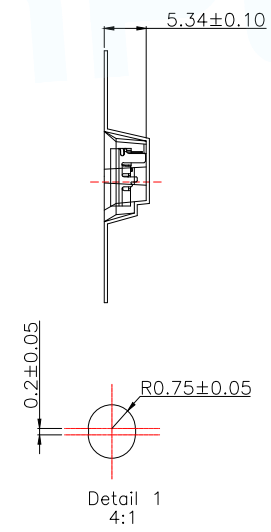
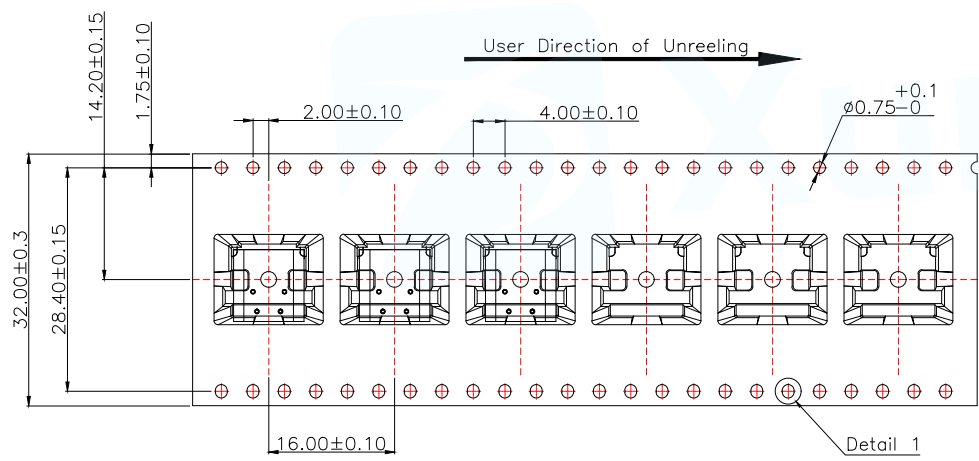
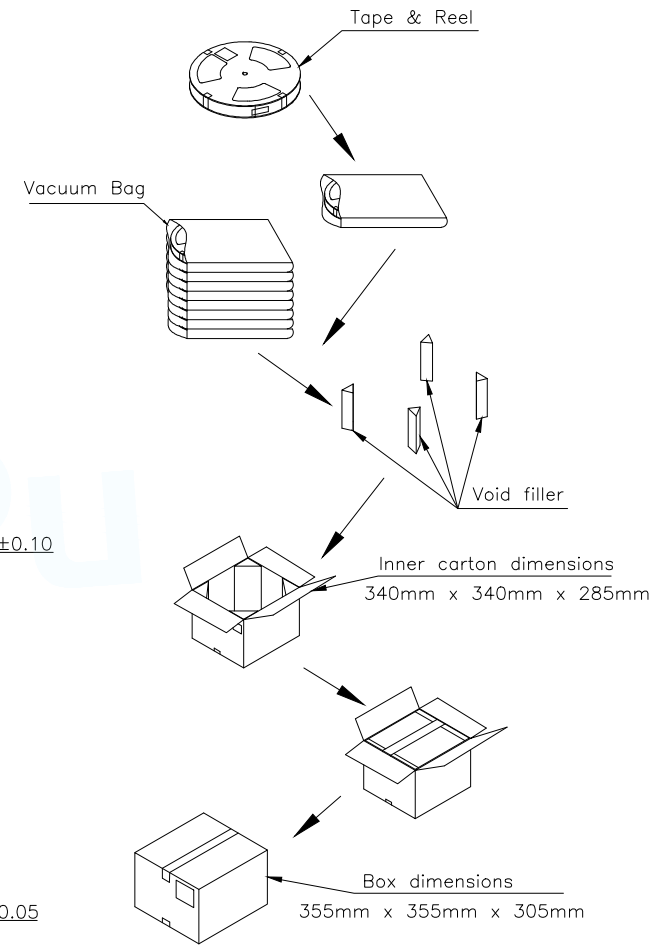
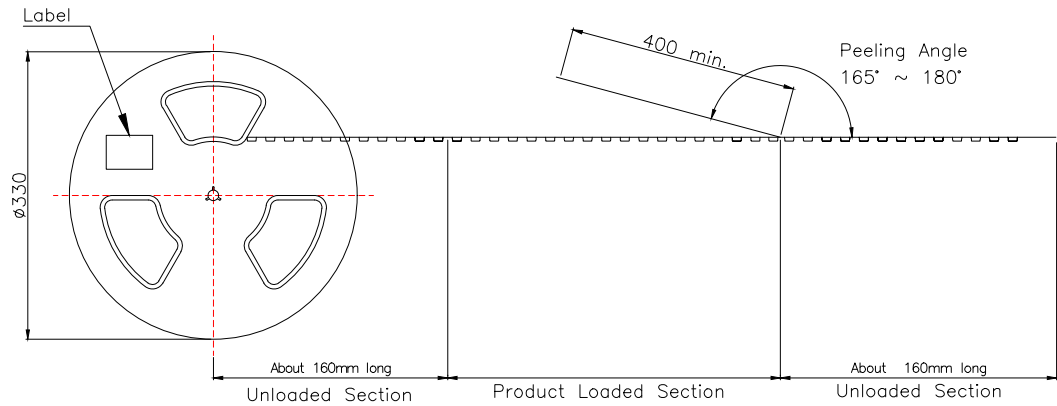
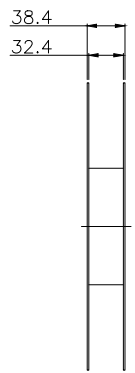
USB TYPE-C PIN ASSIGNMENTS

Pin	Signal	Mating Sequence	Pin	Signal	Mating Sequence
A1	GND	First	B12	GND	First
A4	Vbus	First	B9	Vbus	First
A5	CC1	Second	B8	SBU2	Second
A6	Dp1	Second	B7	Dn2	Second
A7	Dn1	Second	B6	Dp2	Second
A8	SBU1	Second	B5	CC2	Second
A9	Vbus	First	B4	Vbus	First
A12	GND	First	B1	GND	First
SHELL		GND	SHELL		GND



RECOMMENDED PCB LAYOUT(TOP)  
TOLERANCES:±0.05MM

MANUFACTURE DWG		 东莞市讯普电子科技有限公司 DongGuan XunPu Electronics Co.,Ltd	
UNLESS OTHERWISE SPECIFIED TOLERANCES			TITLE:USB Type-C Receptacle 16PIN DIP CH1.88
			PAR TYPE-C-613-WDR
DECIMALS:	ANGLES:		DWN
.X:±0.30	X':±10°		CHKD
.XX:±0.20	.X':±8°	APVD	
.XXX:±0.10	.XX':±5°	SCALE N:A	UNIT:MM
CUSTOMER COPY		SIZE:A4	SHEET:1F1
			REV:A



Notes:  
 Peeling off force of top tape:  
 0.1–1.3N (Peeling direction as shown)

Materials:  
 Carrier Tape: Polystyrene (PS)  
 Top Tape: PE  
 Reel Tape: Polystyrene (PS)  
 Bag: PE

Pcs/Reel	Reels/Carton	Total Quality
700	7	4,900 pcs

MANUFACTURE DWG		东莞市讯普电子科技有限公司 DongGuan XunPu Electronics Co.,Ltd	
UNLESS OTHERWISE SPECIFIED TOLERANCES			TITLE: CF 16P DIP CH1.88—封装规格
DECIMALS:	ANGLES:		PAR TYPE—C—613—WDR DWN CHKD APVD
.X:±0.30	X':±10°		SCALE N:A UNIT:MM SIZE:A4 UNIT:MM
.XX:±0.20	.X':±8°		SHEET:1F1 REV:A
.XXX:±0.10	.XX':±5°	CUSTOMER COPY	

## X-ON Electronics

Largest Supplier of Electrical and Electronic Components

*Click to view similar products for [USB Connectors](#) category:*

*Click to view products by [XUNPU](#) manufacturer:*

Other Similar products are found below :

[950](#) [MUSBD11135](#) [17-200721](#) [217450-1](#) [KMBVX-TH-5S-B30](#) [KUSBX-AS2N-W](#) [KUSBX-SMT2AP1S-W30](#) [935](#) [957](#) [30-498-6](#) [SK-60A-2](#)  
[1734082-1](#) [30-470](#) [30-489](#) [30-541](#) [A-USB A-2P-C](#) [MIKROE-1451](#) [USBFTVSCCG](#) [1-1734084-2](#) [10135326-001LF](#) [4198](#) [USB-A-D-VT](#)  
[USB-A-S-RA-TSMT](#) [1310-1023-02](#) [690-024-633-031](#) [UB-20PMFP-LC7001](#) [17-200011](#) [UB-20AFMM-LL7A01](#) [1040870124](#) [CAP-](#)  
[WCCMLPB1](#) [CAP-WCCMLPC1](#) [2274475-3](#) [UB-20BMFA-SL8001](#) [914-614A2025S10200](#) [USB3FTV7SAGF059](#) [ZX40-B-5S-1500-](#)  
[STDA\(30\)](#) [GSB3116344HR](#) [USB3FTV2SAZNF459](#) [USB3FTV7SAZNF459](#) [U221-041N-1WVS62-F5D](#) [HYCW153-USBD05-500B](#)  
[HYCW219-USBD05-075B](#) [HYCW148-USBD05-117B](#) [HYCW149-USBD05-740B](#) [HYCW204-USBD05-108B](#) [HYCW214-USBA04-113B](#)  
[HYCW213-USBA04-113B](#) [UB-20AMFM-SL7A01](#) [KMMX-BSMT35S-1-B30TR](#) [2345986-1](#)