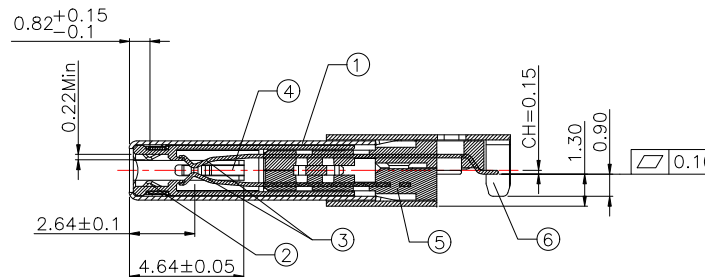
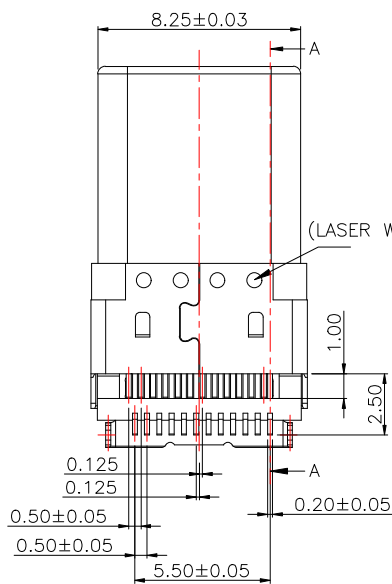
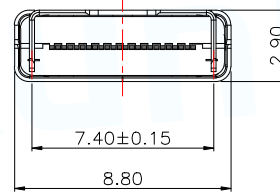
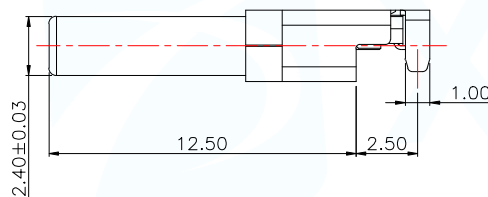
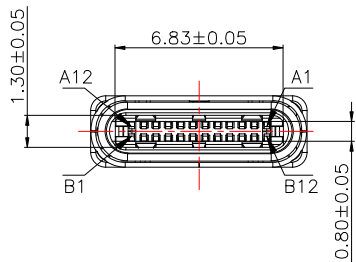


NOTE:

- 1.MATERIAL SPECIFICATION:
 - 1-1.SHELL: STAINLESS STEEL.
 - 1-2.EMI PLATE: STAINLESS STEEL.
 - 1-3.CONTACTS:COPPER ALLOY.
 - 1-4.LATCH: STAINLESS STEEL.
 - 1-5.HOUSING:HIGH TEMPERATURE RESISTANT PLASTIC,UL94 V-0.
 - 1-6.SHIELD: STAINLESS STEEL.
- 2.PLATING SPECIFICATION:
 - 2-1.CONTACTS:
 - Ni 50u" MIN. UNDER PLATED OVER ALL.
 - Au PLATED ON THE FUNCTIONAL AREA OF CONTACT.
 - (GOLD PLATING THICKNESS FOLLOW THE P/N)
 - 80u" MIN TIN PLATED ON SOLDER AREA.
 - 2-2.FRONT SHELL:
 - Ni 30u" MIN. UNDER PLATED OVER ALL.
 - 2-3.MID PLATE:
 - Ni 50u" MIN. UNDER PLATED OVER ALL.
 - 2-4.EMI PLATE:
 - CLEAR ONLY
- 3.MECHANICAL PERFORMANCE,
 - 3-1.INSERTION FORCE: 0.5~2.0kgf.
 - 3-2.REMOVAL FORCE: Initial 0.8~2.0kgf;After durability 0.6~2.0kgf.
 - 3-3.DURABILITY: 10000 CYCLES.
- 4.ELECTRICAL PERFORMANCE,
 - 4-1. CURRENT RATING:5.0A for A4/A9/B4/B9 PIN,1.25A for Other PINS
VOLTAGE RATING:5.0V
 - 4-2. LLCR:
 - VBUS & GND PINS AND OTHER PINS: 40mA/PIN MAX.
 - SHIELD: 50mA/MAX.
 - LLCR MAX. CHANGE OF ALL PINS: 10mA.
 - 4-3.INSULATION RESISTANCE: 100MΩ MIN
 - 4-4.DIELECTRIC WITHSTAND VOLTAGE,AC 100VAC FOR 1 MINUTE.
5. ENVIRONMENTAL PERFORMANCE:
 - OPERATING TEMPERATURE: -30°C~+85°C.
- 6.IR REFLOW:
 - THE PEAK TEMPERATURE ON THE BOARD SHALL BE MAINTAINED FOR 10 SECONDS AT 260°C.



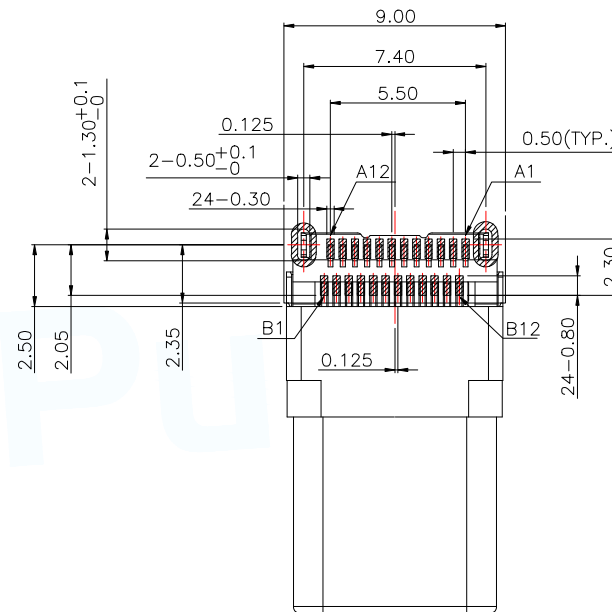
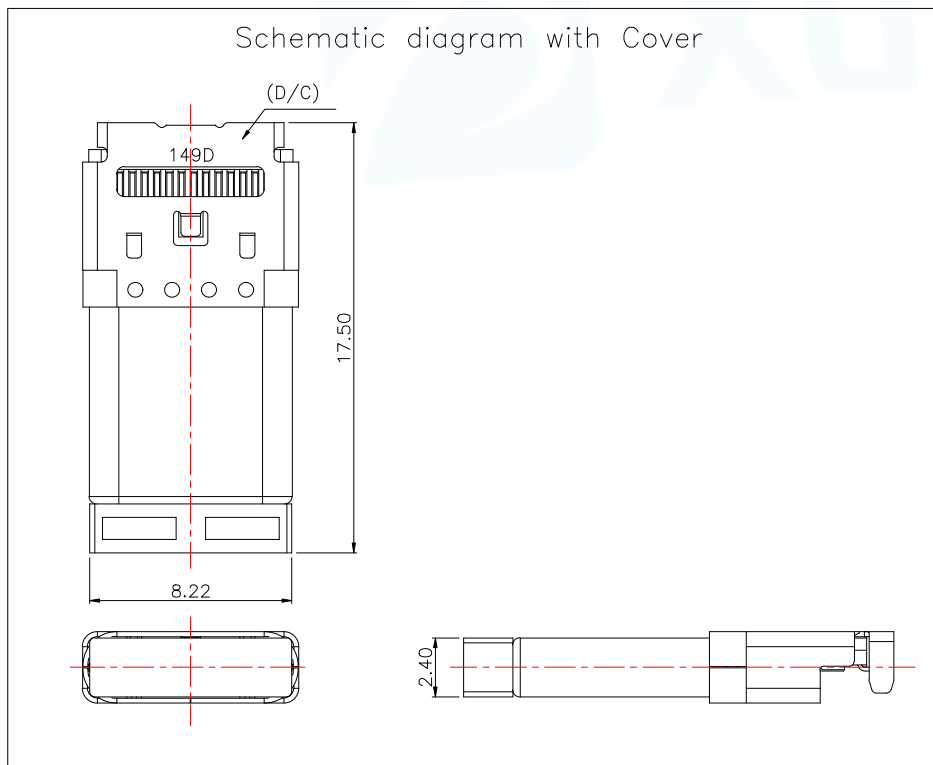
SECTION: A-A

MANUFACTURE DWG			东莞市讯普电子科技有限公司 DongGuan XunPu Electronics Co.,Ltd	
UNLESS OTHERWISE SPECIFIED TOLERANCES				TITLE: TYPE--24PIN--SMT+SMT--PLUG
DECIMALS:	ANGLES:	PAR		TYPEC-902-ARP24
.X:±0.30	.X':±10'	DWN		
.XX:±0.20	.X':±8'	CHKD		
.XXX:±0.10	.XX':±5'	APVD		
CUSTOMER COPY		SCALE1:1	UNIT:MM	⊕
		SIZE:A4	SHEET:1F1	REV:A

USB TYPE-C PIN ASSIGNMENTS

PIN NUMBER	SIGNAL NAME	PIN NUMBER	SIGNAL NAME
A1	GND	B12	GND
A2	SSTXp1	B11	SSRXp1
A3	SSTXn1	B10	SSRXn1
A4	Vbus	B9	Vbus
A5	CC1	B8	SBU2
A6	Dp1	B7	Dn2
A7	Dn1	B6	Dp2
A8	SBU1	B5	CC2
A9	Vbus	B4	VBUS
A10	SSRXn2	B3	SSTXn2
A11	SSRXp2	B2	SSTXp2
A12	GND	B1	GND

Schematic diagram with Cover



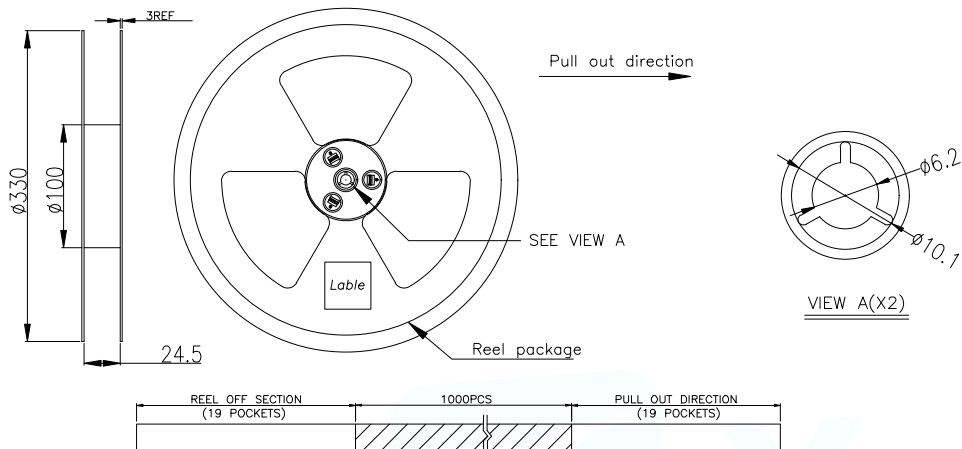
PCB HOLES(TOP VIEW) t=0.8 or 1.0mm
NOTE:GENERAL TOLERANCE:±0.05mm

MANUFACTURE DWG		 东莞市讯普电子科技有限公司 DongGuan XunPu Electronics Co.,Ltd	TITLE: TYPE--24PIN-SMT+SMT-PLUG	
UNLESS OTHERWISE SPECIFIED TOLERANCES			PAR	TYPEC-902-ARP24
DECIMALS:	ANGLES:	DWN		
.X:±0.30	X':±10°	CHKD		
.XX:±0.20	.X':±8°	APVD		
.XXX:±0.10	.XX':±5°	SCALE1:1	UNIT:MM	
		SIZE:A4	SHEET:1F1	
		CUSTOMER COPY	REV:A	

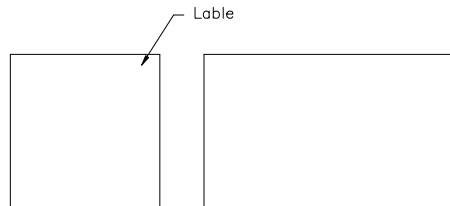
12	13	14	15
MAPX	MODIFICATION	DATE	DRAW

Packing Notes:

- 1.Reel : 1000pcs/ Reel.
- 2.Carton : 8000pcs/ 8 Reel/ Carton.

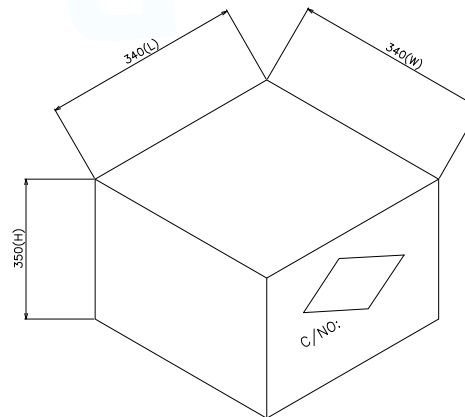
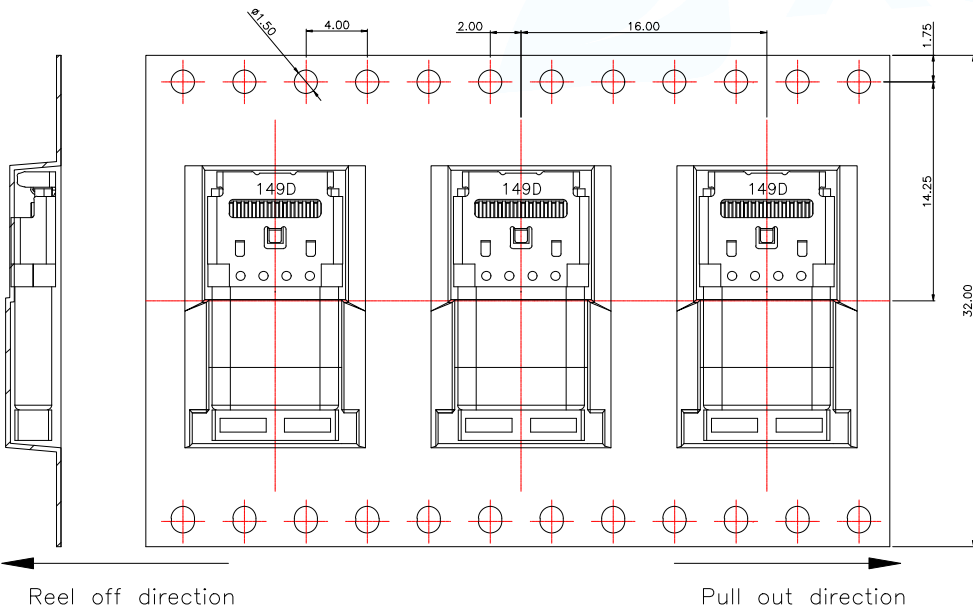


- 1) Seal the carton with TAPE.
- 2) Stick the label on the side of the carton



Remark:

- 1). If there are boxes are not full, they must be filled with buffer material.
- 2). Handle with care during handling.
- 3). Do not pile up too much in transportation, do not have the phenomenon of heavy pressure.
- 4). The upper tape must be flat when sticking to the lower tape, and there should be no bubbles at the sticking place.



MANUFACTURE DWG			 东莞市讯普电子科技有限公司 DongGuan XunPu Electronics Co.,Ltd	
UNLESS OTHERWISE SPECIFIED TOLERANCES			TITLE: TYPE--24PIN-SMT+SMT-PLUG	
DECIMALS:	ANGLES:	PAR	TYPEC-902-ARP24	
.X:±0.30	.X':±10°	DWN		
.XX:±0.20	.X'':±8°	CHKD		
.XXX:±0.10	.XX':±5°	APVD		
CUSTOMER COPY		SCALE1:1	UNIT:MM	
		SIZE:A4	SHEET:1F1	REV:A

X-ON Electronics

Largest Supplier of Electrical and Electronic Components

Click to view similar products for [USB Connectors](#) category:

Click to view products by [XUNPU](#) manufacturer:

Other Similar products are found below :

[950](#) [A-USB A-LP-SMT-C](#) [A-USB B-TOP-C](#) [MUSBD11135](#) [17-200721](#) [217450-1](#) [KMBVX-TH-5S-B30](#) [KUSBX-AS2N-W](#) [KUSBX-SMT2AP1S-W30](#) [935](#) [957](#) [30-498-6](#) [SK-60A-2](#) [1734082-1](#) [30-470](#) [30-489](#) [30-541](#) [MAB 5 S](#) [A-USB A-2P-C](#) [MIKROE-1451](#)
[USBFTVSCCG](#) [1-1734084-2](#) [MUSBA81130](#) [NK-27-32SL](#) [NK-L8-22C-5/8](#) [10135326-001LF](#) [4198](#) [690-024-633-031](#) [UB-20PMFP-LC7001](#)
[17-200011](#) [UB-20AFMM-LL7A01](#) [CAP-WCCMLPB1](#) [CAP-WCCMLPC1](#) [2274475-3](#) [914-614A2025S10200](#) [USB3FTV7SAGF059](#)
[USB3FTV2SAZNF459](#) [USB3FTV7SAZNF459](#) [U221-041N-1WVS62-F5D](#) [HYCW153-USBD05-500B](#) [HYCW219-USBD05-075B](#)
[HYCW148-USBD05-117B](#) [HYCW149-USBD05-740B](#) [HYCW204-USBD05-108B](#) [HYCW214-USBA04-113B](#) [HYCW213-USBA04-113B](#)
[KMMX-BSMT35S-1-B30TR](#) [2345986-1](#) [10082141-N340LF](#) [10117836-011LF](#)