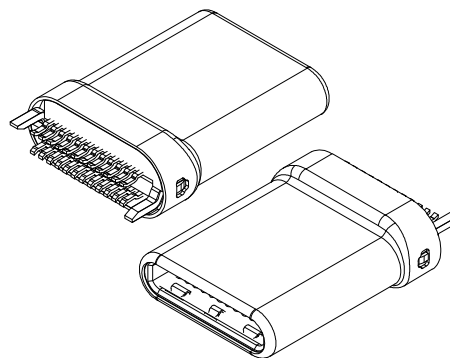
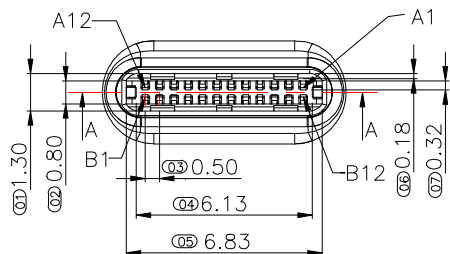


MAPX	MODIFICATION	DATE	DRAW	APPROVE



NOTES:

1. Materials:

- 1.1 shell: stainless steel;
  - 1.2 terminal: High conductivity copper;
  - 1.3 Insulator: High Temperature Thermoplastic, UL94V-0;
- Color: Black.

2. FINISH:

- 2.1 CONTACT: Nickel plating 50u", Gold plating 1u" in contact

area. Solder feet are tin-plated 100u"

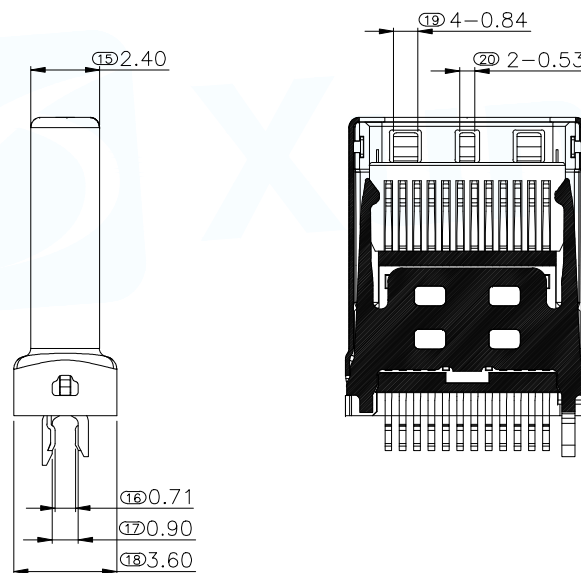
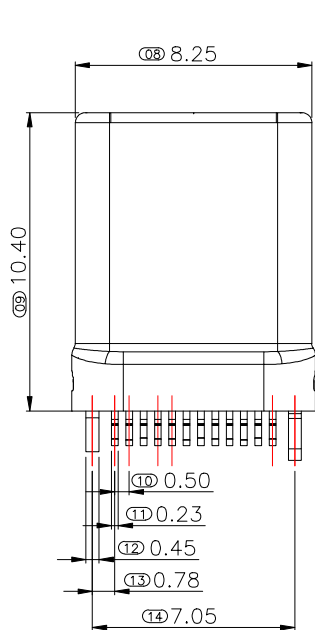
- 2.2 SHELL: 50u" NICKEL.

3. MECHANICAL:

- 3.1 MATING FORCE: 5-20N MAX.
- 3.2 UNMATING FORCE: 8-20N MIN,  
After endurance test: 6-20N;
- 3.3 OPERATING TEMPERATURE: -40°C ~ 85°C

4. ELECTRICAL:

- 4.1 CURRENT RATING: 5A Max FOR VBUS PIN; 1.25A FOR VCONN PIN.
- 4.2 DIELECTRIC WITHSTANDING VOLTAGE: 100V AC AT SEA LEVEL.
- 4.3 CONTACT RESISTANCE: 50mΩ MAX.
- 4.4 INSULATION RESISTANCE: 100MΩ MIN



A12	A11	A10	A9	A8	A7	A6	A5	A4	A3	A2	A1
GND	RX2+	RX2-	VBUS	SBU1	D-	D+	CC	VBUS	TX1-	TX1+	GND
GND	TX2+	TX2-	VBUS	VCONN			SBU2	VBUS	RX1-	RX1+	GND
B1	B2	B3	B4	B5	B6	B7	B8	B9	B10	B11	B12

MANUFACTURE DWG		<p>东莞市讯普电子科技有限公司 DongGuan XunPu Electronics Co.,Ltd</p>	TITLE: USB TYPE C 24P 公头 拉伸外壳 喷砂镍 黑色护套 高导电端子 镀金1u"	
UNLESS OTHERWISE SPECIFIED TOLERANCES			PAR	TYPEC-961-ARP24
DECIMALS:	ANGLES:	DWN		
.X: ±0.30	X': ±3°	CHKD		
.XX: ±0.20	X.X': ±2°	APVD		
.XXX: ±0.10		SCALE 1:1	UNIT: MM	
		SIZE: A4	SHEET: 1F1	
		CUSTOMER COPY	REV: A	

## X-ON Electronics

Largest Supplier of Electrical and Electronic Components

*Click to view similar products for [USB Connectors](#) category:*

*Click to view products by [XUNPU](#) manufacturer:*

Other Similar products are found below :

[950](#) [A-USB A-LP-SMT-C](#) [A-USB B-TOP-C](#) [MUSBD11135](#) [17-200721](#) [217450-1](#) [KMBVX-TH-5S-B30](#) [KUSBX-AS2N-W](#) [KUSBX-SMT2AP1S-W30](#) [935](#) [957](#) [30-498-6](#) [SK-60A-2](#) [1734082-1](#) [30-470](#) [30-489](#) [30-541](#) [MAB 5 S](#) [A-USB A-2P-C](#) [MIKROE-1451](#)  
[USBFTVSCCG](#) [1-1734084-2](#) [MUSBA81130](#) [NK-27-32SL](#) [NK-L8-22C-5/8](#) [10135326-001LF](#) [4198](#) [690-024-633-031](#) [UB-20PMFP-LC7001](#)  
[17-200011](#) [UB-20AFMM-LL7A01](#) [CAP-WCCMLPB1](#) [CAP-WCCMLPC1](#) [2274475-3](#) [914-614A2025S10200](#) [USB3FTV7SAGF059](#)  
[USB3FTV2SAZNF459](#) [USB3FTV7SAZNF459](#) [U221-041N-1WVS62-F5D](#) [HYCW153-USBD05-500B](#) [HYCW219-USBD05-075B](#)  
[HYCW148-USBD05-117B](#) [HYCW149-USBD05-740B](#) [HYCW204-USBD05-108B](#) [HYCW214-USBA04-113B](#) [HYCW213-USBA04-113B](#)  
[KMMX-BSMT35S-1-B30TR](#) [2345986-1](#) [10082141-N340LF](#) [10117836-011LF](#)