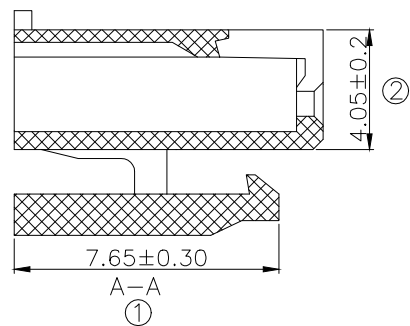
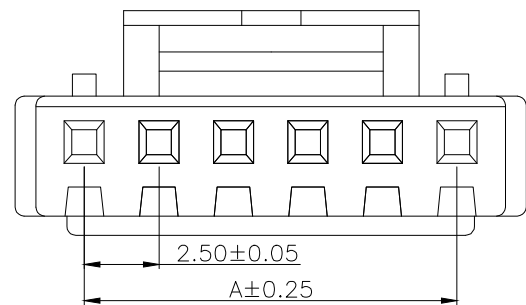
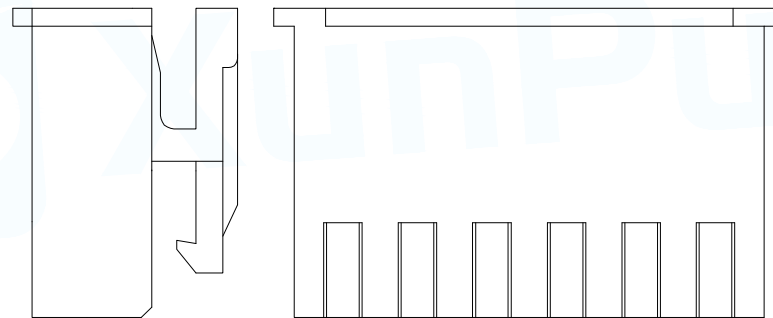
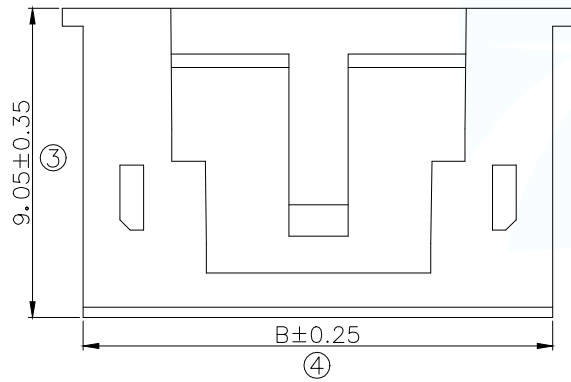
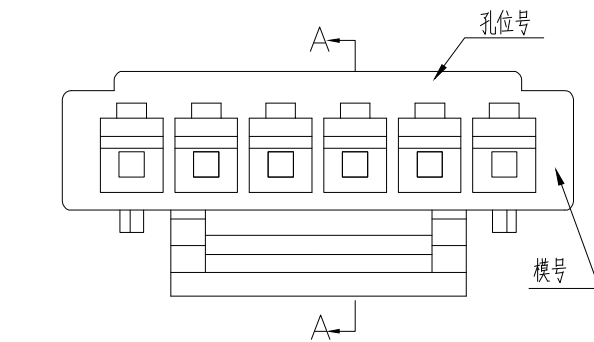
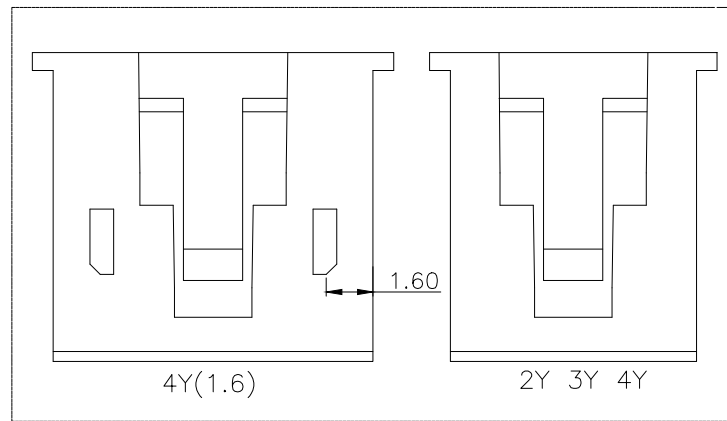


技术要求Specification:

1. 材质Material: PA66 UL94V-0;
2. 额定电流 Current rating:3.0A AC,DC
3. 额定电压 Voltage rating:250V AC,DC
4. 温度范围 Temperature range:-25℃to+85℃
5. 接触电阻 Contact resistance: $\leq 20m\Omega$
6. 绝缘电阻 Insulation resistance: $\geq 1000M\Omega$
7. 耐压 Withstand voltage:1000V AC/minute
8. 塑件表面平整光洁, 无明显的毛刺、气泡、变形、浇口拉伤、缺料等不良现象。

Plastic surface smooth and clean, no obvious glitches, bubbles, distortion, gate strain, lack of material and other undesirable phenomena.

| Part No            | Pin | A     | B     |
|--------------------|-----|-------|-------|
| WAFER-HA2.54-2PJK  | 2   | 2.50  | 5.80  |
| WAFER-HA2.54-3PJK  | 3   | 5.00  | 8.30  |
| WAFER-HA2.54-4PJK  | 4   | 7.50  | 10.80 |
| WAFER-HA2.54-5PJK  | 5   | 10.00 | 13.30 |
| WAFER-HA2.54-6PJK  | 6   | 12.50 | 15.80 |
| WAFER-HA2.54-7PJK  | 7   | 15.00 | 18.30 |
| WAFER-HA2.54-8PJK  | 8   | 17.50 | 20.80 |
| WAFER-HA2.54-9PJK  | 9   | 20.00 | 23.30 |
| WAFER-HA2.54-10PJK | 10  | 22.50 | 25.80 |
| WAFER-HA2.54-11PJK | 11  | 25.00 | 28.30 |
| WAFER-HA2.54-12PJK | 12  | 27.50 | 30.80 |
| WAFER-HA2.54-13PJK | 13  | 30.00 | 33.30 |
| WAFER-HA2.54-14PJK | 14  | 32.50 | 35.80 |
| WAFER-HA2.54-15PJK | 15  | 35.00 | 38.30 |
| WAFER-HA2.54-16PJK | 16  | 37.50 | 40.80 |
| WAFER-HA2.54-17PJK | 17  | 40.00 | 43.30 |



|                                       |         |               |   |                   |
|---------------------------------------|---------|---------------|---|-------------------|
| MANUFACTURE DWG                       |         |               | <br>东莞市讯普电子科技有限公司<br>DongGuan XunPu Electronics Co.,Ltd |                   |
| UNLESS OTHERWISE SPECIFIED TOLERANCES |         |               | TITLE:<br>HA2.5MM HOUSING                               |                   |
| DECIMALS:                             | ANGLES: |               | PAR   | WAFER-HA2.54-NPJK |
| .X±0.30                               | X.*±1°  |               | DWN   |                   |
| .XX±0.20                              |         |               | CHKD  |                   |
| .XXX±0.10                             |         |               | APVD  |                   |
|                                       |         | CUSTOMER COPY | SCALE:1:1   | UNIT:MM           |
|                                       |         |               | SIZE:A4   | SHEET:1F1         |
|                                       |         |               |   | REV:A             |

## X-ON Electronics

Largest Supplier of Electrical and Electronic Components

*Click to view similar products for [Headers & Wire Housings](#) category:*

*Click to view products by [XUNPU](#) manufacturer:*

Other Similar products are found below :

[0015917161](#) [0022155065](#) [57102-F02-18ULF](#) [58102-G61-06LF](#) [582553-1](#) [01.001.5753.1](#) [0050291907](#) [02.125.8002.8](#) [609-3404](#) [61062-3](#)  
[CSU011177004](#) [622-0430](#) [622-3653LF](#) [63453-116](#) [636-1030](#) [636-1427](#) [636-3427](#) [636-4007](#) [641938-9](#) [65495-038](#) [65692-001LF](#) [65781-018](#)  
[65781-047](#) [65817-010LF](#) [65817-015LF](#) [67095-007LF](#) [67601157](#) [68631-112](#) [68645-018](#) [699319-000](#) [70.362.1628.0](#) [70-4210](#) [70-4226B](#) [70-](#)  
[4853B](#) [71.350.2428.0](#) [733-134](#) [733-162](#) [760-3052](#) [MHR-64-VUAL](#) [80.063.4001.1](#) [800-90-001-10-001000](#) [801-43-002-10-013000](#)  
[801-43-006-10-002000](#) [803-43-024-10-001000](#) [803-93-012-10-001000](#) [8-1437020-4](#) [819-22-004-30-001101](#) [820-22-006-30-001101](#)  
[820-22-008-30-001101](#) [821-22-002-10-001101](#)