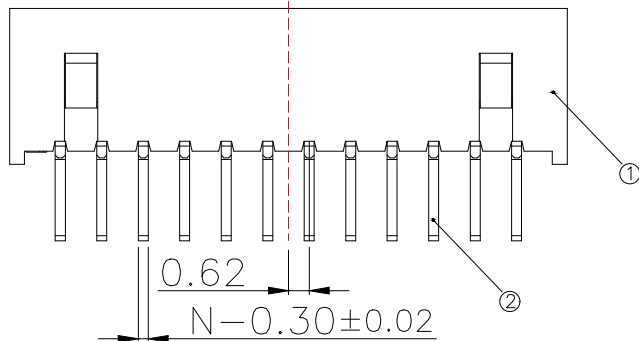
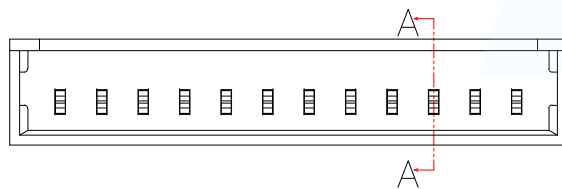
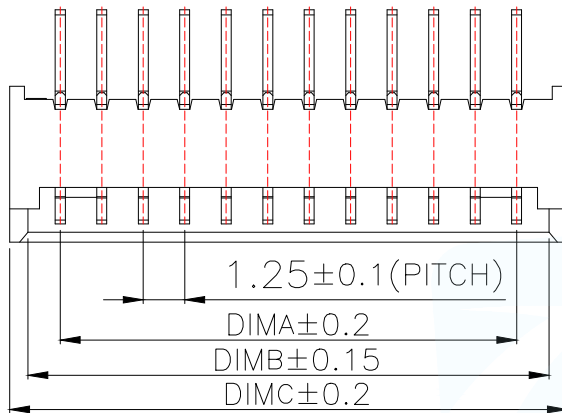


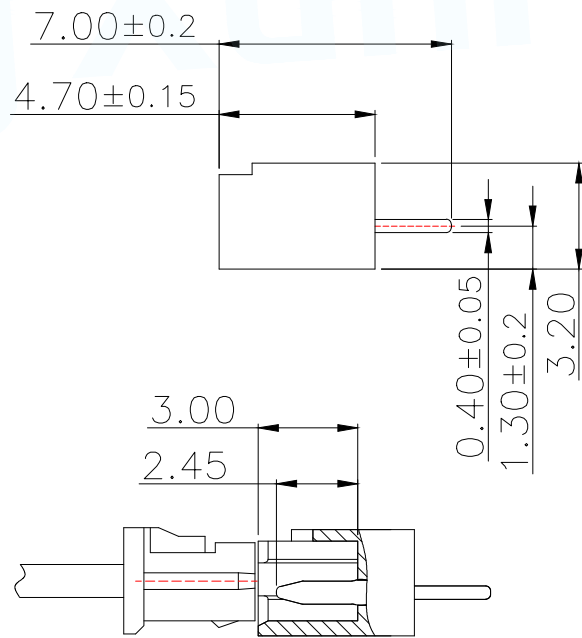
LOCK CONFIGURATION (锁扣位置)



| 序号 | 品名 | 材质 |
|----|--|------------------------------|
| 1 | 1.25 Pitch S/T Wire To Board Housing DIP(H=4.7) | PA66 UL94V-2 Red |
| 2 | 1.25 Pitch S/T Wire To Board Terminal DIP(H=4.7) | Copper Alloy/ Tin Plating |

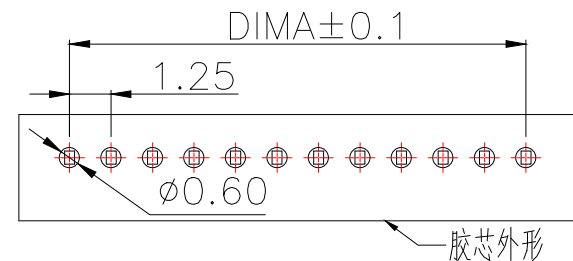
Technical Index:

- 1.The surface of the plastic parts should be smooth,no rough edges,no obvious shrinkage,defects,cracks and other phenomena)
- 2.Lock Configuration: 2 to 3Pin is 1, ≥ 4Pin is 2
- 3.Temperature range: -25°C~+85°C.
- 4.Rated voltage: 125V, AC/DC.
- 5.Contact resistance: ≤0.02Ω.
- 6.Insulation resistance: ≥100MΩ



SECTION A-A

| Part No | Pin | A | B | C |
|------------------------|-----|-------|-------|-------|
| WAFER-MX1.25-2PZZ-R62 | 2 | 1.25 | 3.20 | 4.30 |
| WAFER-MX1.25-3PZZ-R62 | 3 | 2.50 | 4.45 | 5.55 |
| WAFER-MX1.25-4PZZ-R62 | 4 | 3.75 | 5.70 | 6.80 |
| WAFER-MX1.25-5PZZ-R62 | 5 | 5.00 | 6.95 | 8.05 |
| WAFER-MX1.25-6PZZ-R62 | 6 | 6.25 | 8.20 | 9.30 |
| WAFER-MX1.25-7PZZ-R62 | 7 | 7.50 | 9.45 | 10.55 |
| WAFER-MX1.25-8PZZ-R62 | 8 | 8.75 | 10.70 | 11.80 |
| WAFER-MX1.25-9PZZ-R62 | 9 | 10.00 | 11.95 | 13.05 |
| WAFER-MX1.25-10PZZ-R62 | 10 | 11.25 | 13.20 | 14.30 |
| WAFER-MX1.25-11PZZ-R62 | 11 | 12.50 | 14.45 | 15.55 |
| WAFER-MX1.25-12PZZ-R62 | 12 | 13.75 | 15.70 | 16.80 |
| WAFER-MX1.25-13PZZ-R62 | 13 | 15.00 | 16.95 | 18.05 |
| WAFER-MX1.25-14PZZ-R62 | 14 | 16.25 | 18.20 | 19.30 |
| WAFER-MX1.25-15PZZ-R62 | 15 | 17.50 | 19.45 | 20.55 |
| WAFER-MX1.25-16PZZ-R62 | 16 | 18.75 | 20.70 | 21.80 |
| WAFER-MX1.25-17PZZ-R62 | 17 | 20.00 | 21.95 | 23.05 |
| WAFER-MX1.25-18PZZ-R62 | 18 | 21.25 | 23.20 | 24.30 |
| WAFER-MX1.25-19PZZ-R62 | 19 | 22.50 | 24.45 | 25.55 |
| WAFER-MX1.25-20PZZ-R62 | 20 | 23.75 | 25.70 | 26.80 |



适用线路板(PCB LAYOUT)

| | | | |
|---------------------------------------|-------------|---|---|
| MANUFACTURE DWG | | 东莞市讯普电子科技有限公司 DongGuan XunPu Electronics Co.,Ltd | |
| UNLESS OTHERWISE SPECIFIED TOLERANCES | | | TITLE:1.25 PITCH H4.7 S/T WIRE TO BOARD DIP CONN. |
| DECIMALS: | ANGLES: | | PAR WAFER-MX1.25-NPZZ-R62 |
| X.:±0.50 | X':.:±5° | | DWN |
| .X:±0.20 | X.X':.:±3° | | CHKD |
| .XX:±0.10 | X.XX':.:±1° | CUSTOMER COPY | APVD |
| | | SCALE:1:1 | UNIT:MM |
| | | SIZE:A4 | SHEET:1F1 |
| | | | REV:A |

X-ON Electronics

Largest Supplier of Electrical and Electronic Components

Click to view similar products for [Headers & Wire Housings](#) category:

Click to view products by [XUNPU](#) manufacturer:

Other Similar products are found below :

[0015917161](#) [0022155065](#) [57102-F02-18ULF](#) [58102-G61-06LF](#) [582553-1](#) [01.001.5753.1](#) [0050291907](#) [02.125.8002.8](#) [609-3404](#) [61062-3](#)
[CSU011177004](#) [622-0430](#) [622-3653LF](#) [63453-116](#) [636-1030](#) [636-1427](#) [636-3427](#) [636-4007](#) [641938-9](#) [65495-038](#) [65692-001LF](#) [65781-018](#)
[65781-047](#) [65817-010LF](#) [65817-015LF](#) [67095-007LF](#) [67601157](#) [68631-112](#) [68645-018](#) [699319-000](#) [70.362.1628.0](#) [70-4210](#) [70-4226B](#) [70-](#)
[4853B](#) [71.350.2428.0](#) [733-134](#) [733-162](#) [760-3052](#) [MHR-64-VUAL](#) [80.063.4001.1](#) [800-90-001-10-001000](#) [801-43-002-10-013000](#)
[801-43-006-10-002000](#) [803-43-024-10-001000](#) [803-93-012-10-001000](#) [8-1437020-4](#) [819-22-004-30-001101](#) [820-22-006-30-001101](#)
[820-22-008-30-001101](#) [821-22-002-10-001101](#)