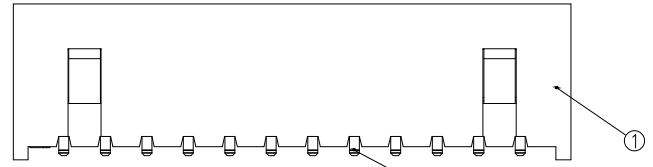
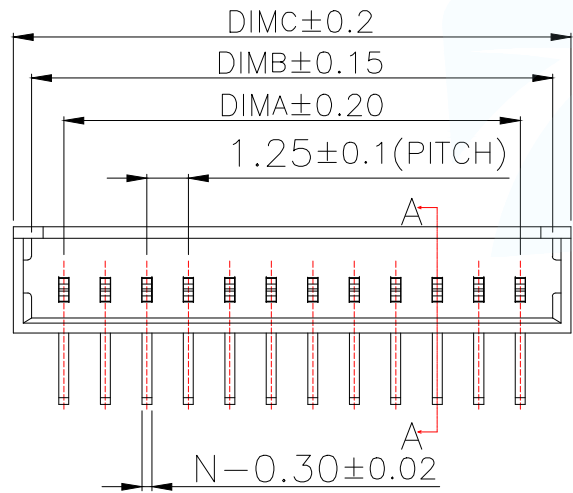
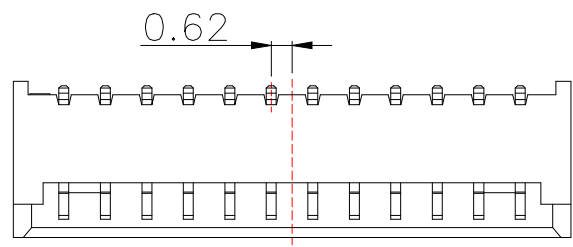


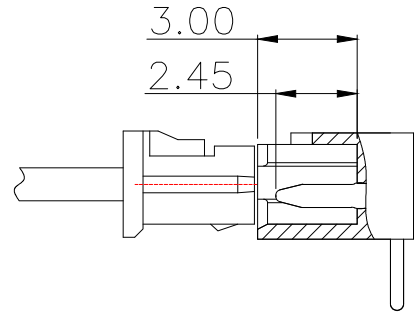
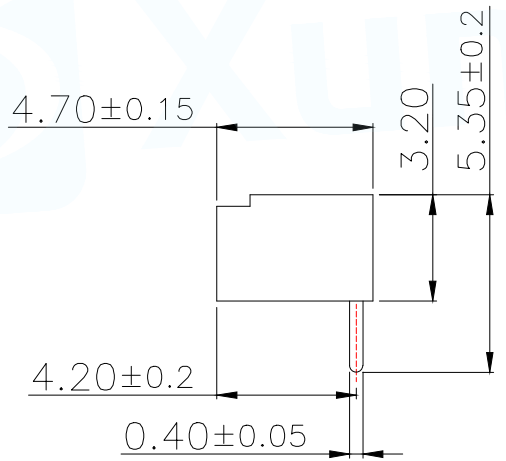
LOCK CONFIGURATION (锁扣位置)



序号	品名	材质
1	1.25 Pitch R/A Wire To Board Housing DIP(H=3.2)	PA66 UL94V-2 Yellow
2	1.25 Pitch R/A Wire To Board Terminal DIP(H=3.2)	Copper Alloy/Tin Plating

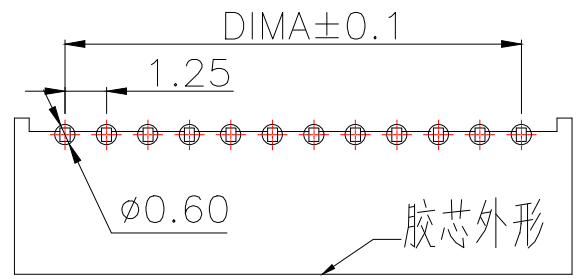
Technical Index:

- 1.The surface of the plastic parts should be smooth,no rough edges,no obvious shrinkage,defects,cracks and other phenomena)
- 2.Lock Configuration: 2 to 3Pin is 1, ≥ 4Pin is 2
- 3.Temperature range: -25°C~+85°C.
- 4.Rated voltage: 125V, AC/DC.
- 5.Contact resistance: ≤0.02Ω.
- 6.Insulation resistance: ≥100MΩ



SECTION A-A

Part No	Pin	A	B	C
WAFER-MX1.25-2PWZ-H62	2	1.25	3.20	4.30
WAFER-MX1.25-3PWZ-H62	3	2.50	4.45	5.55
WAFER-MX1.25-4PWZ-H62	4	3.75	5.70	6.80
WAFER-MX1.25-5PWZ-H62	5	5.00	6.95	8.05
WAFER-MX1.25-6PWZ-H62	6	6.25	8.20	9.30
WAFER-MX1.25-7PWZ-H62	7	7.50	9.45	10.55
WAFER-MX1.25-8PWZ-H62	8	8.75	10.70	11.80
WAFER-MX1.25-9PWZ-H62	9	10.00	11.95	13.05
WAFER-MX1.25-10PWZ-H62	10	11.25	13.20	14.30
WAFER-MX1.25-11PWZ-H62	11	12.50	14.45	15.55
WAFER-MX1.25-12PWZ-H62	12	13.75	15.70	16.80
WAFER-MX1.25-13PWZ-H62	13	15.00	16.95	18.05
WAFER-MX1.25-14PWZ-H62	14	16.25	18.20	19.30
WAFER-MX1.25-15PWZ-H62	15	17.50	19.45	20.55
WAFER-MX1.25-16PWZ-H62	16	18.75	20.70	21.80
WAFER-MX1.25-17PWZ-H62	17	20.00	21.95	23.05
WAFER-MX1.25-18PWZ-H62	18	21.25	23.20	24.30
WAFER-MX1.25-19PWZ-H62	19	22.50	24.45	25.55
WAFER-MX1.25-20PWZ-H62	20	23.75	25.70	26.80



适用线路板(PCB LAYOUT)

MANUFACTURE DWG		东莞市讯普电子科技有限公司 DongGuan XunPu Electronics Co.,Ltd	
UNLESS OTHERWISE SPECIFIED TOLERANCES			TITLE:1.25 PITCH H3.2 R/A WIRE TO BOARD DIP CONN.
DECIMALS:	ANGLES:		PAR WAFER-MX1.25-NPWZ-H62
X.:±0.50	X'::±5°		DWN
.X:±0.20	X.X'::±3°		CHKD
.XX:±0.10	X.XX'::±1°	APVD	SCALE:1:1 UNIT:MM
CUSTOMER COPY		SIZE:A4	SHEET:1F1 REV:A

X-ON Electronics

Largest Supplier of Electrical and Electronic Components

Click to view similar products for [Headers & Wire Housings](#) category:

Click to view products by [XUNPU](#) manufacturer:

Other Similar products are found below :

[0015917161](#) [0022155065](#) [57102-F02-18ULF](#) [58102-G61-06LF](#) [582553-1](#) [01.001.5753.1](#) [0050291907](#) [02.125.8002.8](#) [609-3404](#) [61062-3](#)
[CSU011177004](#) [622-0430](#) [622-3653LF](#) [63453-116](#) [636-1030](#) [636-1427](#) [636-3427](#) [636-4007](#) [641938-9](#) [65495-038](#) [65692-001LF](#) [65781-018](#)
[65781-047](#) [65817-010LF](#) [65817-015LF](#) [67095-007LF](#) [67601157](#) [68631-112](#) [68645-018](#) [699319-000](#) [70.362.1628.0](#) [70-4210](#) [70-4226B](#) [70-](#)
[4853B](#) [71.350.2428.0](#) [733-134](#) [733-162](#) [760-3052](#) [MHR-64-VUAL](#) [80.063.4001.1](#) [800-90-001-10-001000](#) [801-43-002-10-013000](#)
[801-43-006-10-002000](#) [803-43-024-10-001000](#) [803-93-012-10-001000](#) [8-1437020-4](#) [819-22-004-30-001101](#) [820-22-006-30-001101](#)
[820-22-008-30-001101](#) [821-22-002-10-001101](#)