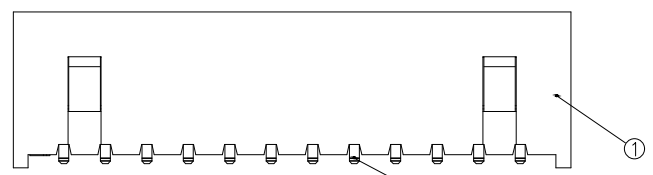
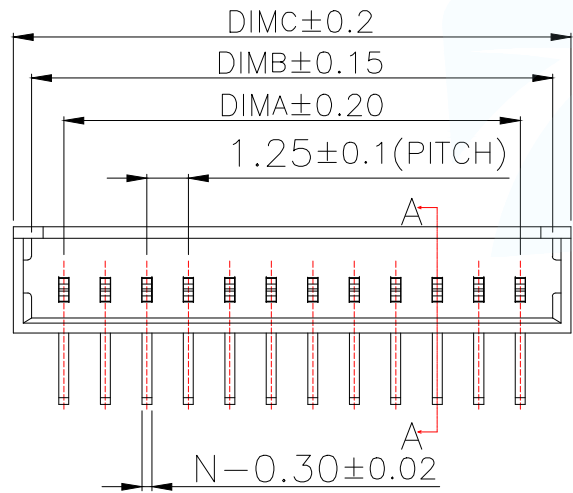
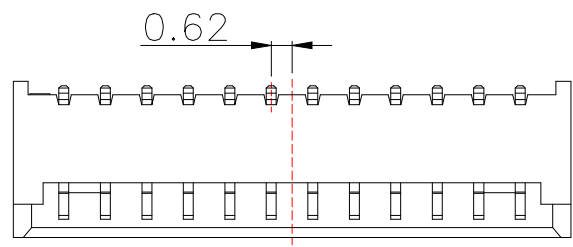


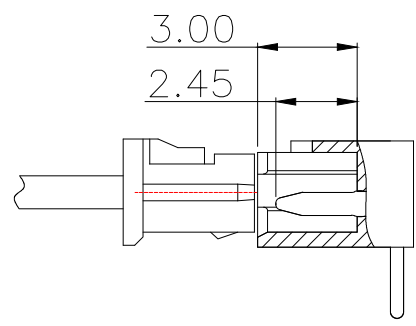
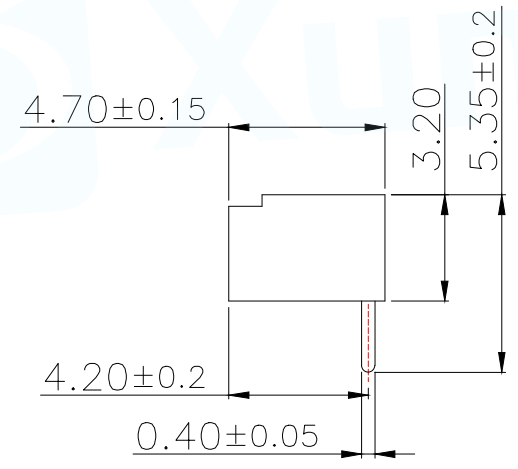
LOCK CONFIGURATION (锁扣位置)



| 序号 | 品名   | 材质                       |
|----|--|--------------------------|
| 1  | 1.25 Pitch R/A Wire To Board Housing DIP(H=3.2)  | PA66 UL94V-2 Red         |
| 2  | 1.25 Pitch R/A Wire To Board Terminal DIP(H=3.2) | Copper Alloy/Tin Plating |

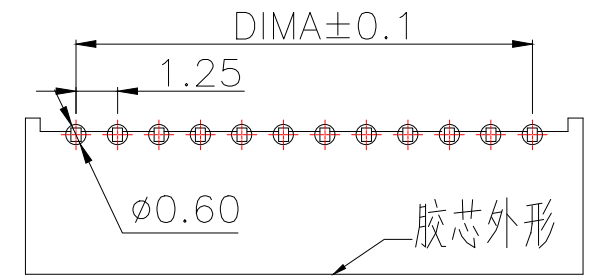
Technical Index:

- The surface of the plastic parts should be smooth, no rough edges, no obvious shrinkage, defects, cracks and other phenomena
- Lock Configuration: 2 to 3Pin is 1, ≥ 4Pin is 2
- Temperature range: -25°C~+85°C.
- Rated voltage: 125V, AC/DC.
- Contact resistance: ≤0.02Ω.
- Insulation resistance: ≥100MΩ



SECTION A-A

| Part No                | Pin | A     | B     | C     |
|------------------------|-----|-------|-------|-------|
| WAFER-MX1.25-2PWZ-R62  | 2   | 1.25  | 3.20  | 4.30  |
| WAFER-MX1.25-3PWZ-R62  | 3   | 2.50  | 4.45  | 5.55  |
| WAFER-MX1.25-4PWZ-R62  | 4   | 3.75  | 5.70  | 6.80  |
| WAFER-MX1.25-5PWZ-R62  | 5   | 5.00  | 6.95  | 8.05  |
| WAFER-MX1.25-6PWZ-R62  | 6   | 6.25  | 8.20  | 9.30  |
| WAFER-MX1.25-7PWZ-R62  | 7   | 7.50  | 9.45  | 10.55 |
| WAFER-MX1.25-8PWZ-R62  | 8   | 8.75  | 10.70 | 11.80 |
| WAFER-MX1.25-9PWZ-R62  | 9   | 10.00 | 11.95 | 13.05 |
| WAFER-MX1.25-10PWZ-R62 | 10  | 11.25 | 13.20 | 14.30 |
| WAFER-MX1.25-11PWZ-R62 | 11  | 12.50 | 14.45 | 15.55 |
| WAFER-MX1.25-12PWZ-R62 | 12  | 13.75 | 15.70 | 16.80 |
| WAFER-MX1.25-13PWZ-R62 | 13  | 15.00 | 16.95 | 18.05 |
| WAFER-MX1.25-14PWZ-R62 | 14  | 16.25 | 18.20 | 19.30 |
| WAFER-MX1.25-15PWZ-R62 | 15  | 17.50 | 19.45 | 20.55 |
| WAFER-MX1.25-16PWZ-R62 | 16  | 18.75 | 20.70 | 21.80 |
| WAFER-MX1.25-17PWZ-R62 | 17  | 20.00 | 21.95 | 23.05 |
| WAFER-MX1.25-18PWZ-R62 | 18  | 21.25 | 23.20 | 24.30 |
| WAFER-MX1.25-19PWZ-R62 | 19  | 22.50 | 24.45 | 25.55 |
| WAFER-MX1.25-20PWZ-R62 | 20  | 23.75 | 25.70 | 26.80 |



适用线路板(PCB LAYOUT)

|                                       |             |   |   |
|---------------------------------------|-------------|---|---|
| MANUFACTURE DWG                       |             | 东莞市讯普电子科技有限公司<br>DongGuan XunPu Electronics Co.,Ltd |   |
| UNLESS OTHERWISE SPECIFIED TOLERANCES |             |   | TITLE:1.25 PITCH H3.2 R/A WIRE TO BOARD DIP CONN. |
| DECIMALS:                             | ANGLES:     |   | PAR WAFER-MX1.25-NPWZ-R62                         |
| X.:±0.50                              | X':.:±5°    |   | DWN   |
| .X.:±0.20                             | X.X':.:±3°  |   | CHKD  |
| .XX.:±0.10                            | X.XX':.:±1° | CUSTOMER COPY                                       | APVD  |
|                                       |             | SCALE:1:1   | UNIT:MM   |
|                                       |             | SIZE:A4   | SHEET:1F1   |
|                                       |             |   | REV:A   |

## X-ON Electronics

Largest Supplier of Electrical and Electronic Components

*Click to view similar products for [Headers & Wire Housings](#) category:*

*Click to view products by [XUNPU](#) manufacturer:*

Other Similar products are found below :

[0015917161](#) [0022155065](#) [57102-F02-18ULF](#) [58102-G61-06LF](#) [582553-1](#) [01.001.5753.1](#) [0050291907](#) [02.125.8002.8](#) [609-3404](#) [61062-3](#)  
[CSU011177004](#) [622-0430](#) [622-3653LF](#) [63453-116](#) [636-1030](#) [636-1427](#) [636-3427](#) [636-4007](#) [641938-9](#) [65495-038](#) [65692-001LF](#) [65781-018](#)  
[65781-047](#) [65817-010LF](#) [65817-015LF](#) [67095-007LF](#) [67601157](#) [68631-112](#) [68645-018](#) [699319-000](#) [70.362.1628.0](#) [70-4210](#) [70-4226B](#) [70-](#)  
[4853B](#) [71.350.2428.0](#) [733-134](#) [733-162](#) [760-3052](#) [MHR-64-VUAL](#) [80.063.4001.1](#) [800-90-001-10-001000](#) [801-43-002-10-013000](#)  
[801-43-006-10-002000](#) [803-43-024-10-001000](#) [803-93-012-10-001000](#) [8-1437020-4](#) [819-22-004-30-001101](#) [820-22-006-30-001101](#)  
[820-22-008-30-001101](#) [821-22-002-10-001101](#)