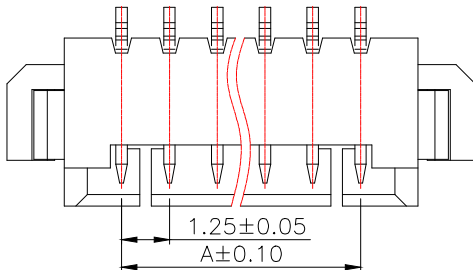
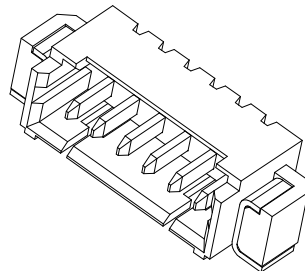
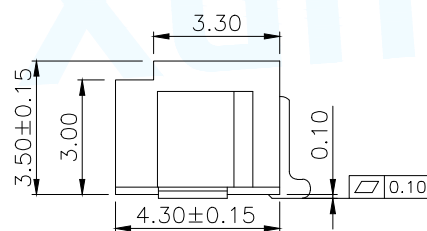
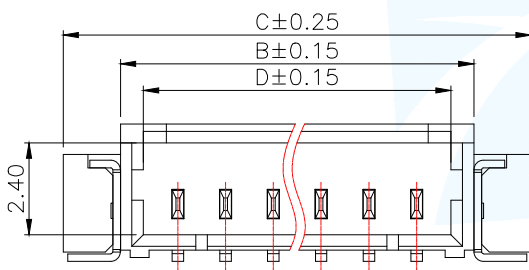


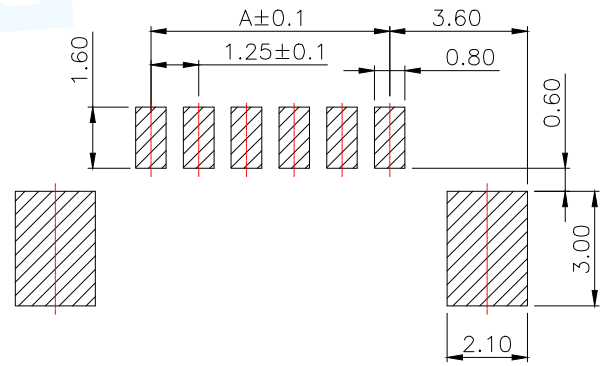
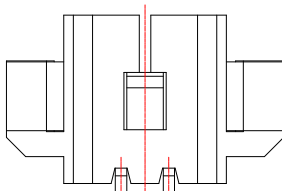
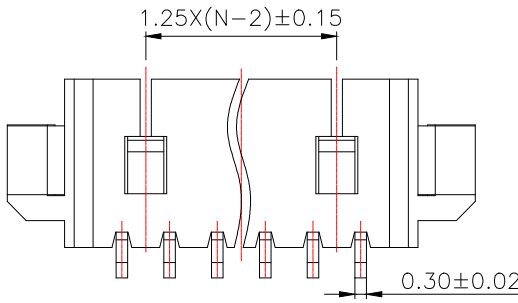
|      |              |      |      |         |
|------|--------------|------|------|---------|
| MAPX | MODIFICATION | DATE | DRAW | APPROVE |
|      |              |      |      |         |



- NOTES:
- 1.Working temp:-25°C~85°C.
  - 2.Voltage rating:100V AC/DC(rms)
  - 3.Contact resistance:40mΩ max.
  - 4.Insulation resistance:100MΩ min.
  - 5.Current rating:1A AV/DC
  - 6.Withstanding Voltage:500V AC/minute
  - 7.Pin Retention Force:5N min.
  - 8.Housing material:LCP UL94-V0,Natural
  - 9.Terminal materl:Brass,  
plating Ni 50u" min , plating Tin 100u"min.
  - 10.Solder tab material:Brass,  
plating Ni 50u" min , plating Tin 100u"min.



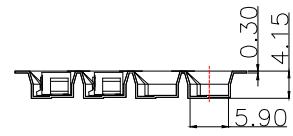
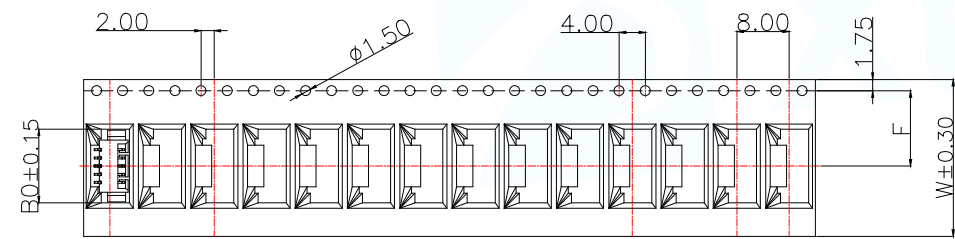
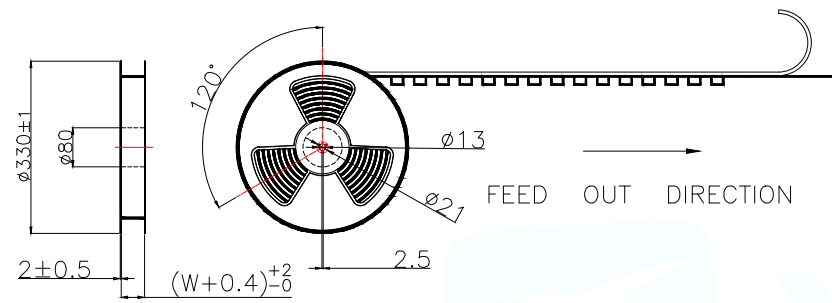
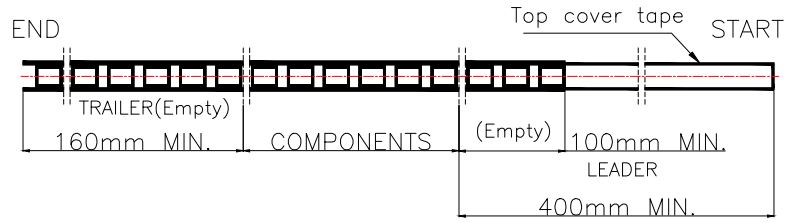
| PIN | NO.                 | Dim A | Dim B | Dim C | Dim D |
|-----|---------------------|-------|-------|-------|-------|
| 2   | WAFER-MX1.25B-2PWB  | 1.25  | 4.45  | 7.45  | 3.05  |
| 3   | WAFER-MX1.25B-3PWB  | 2.50  | 5.70  | 8.70  | 4.30  |
| 4   | WAFER-MX1.25B-4PWB  | 3.75  | 6.95  | 9.95  | 5.55  |
| 5   | WAFER-MX1.25B-5PWB  | 5.00  | 8.20  | 11.20 | 6.80  |
| 6   | WAFER-MX1.25B-6PWB  | 6.25  | 9.45  | 12.45 | 8.05  |
| 7   | WAFER-MX1.25B-7PWB  | 7.50  | 10.70 | 13.70 | 9.30  |
| 8   | WAFER-MX1.25B-8PWB  | 8.75  | 11.95 | 14.95 | 10.55 |
| 9   | WAFER-MX1.25B-9PWB  | 10.00 | 13.20 | 16.20 | 11.8  |
| 10  | WAFER-MX1.25B-10PWB | 11.25 | 14.45 | 17.45 | 13.05 |
| 11  | WAFER-MX1.25B-11PWB | 12.50 | 15.70 | 18.70 | 14.3  |
| 12  | WAFER-MX1.25B-12PWB | 13.75 | 16.95 | 19.95 | 15.55 |
| 13  | WAFER-MX1.25B-13PWB | 15.00 | 18.20 | 21.20 | 16.80 |
| 14  | WAFER-MX1.25B-14PWB | 16.25 | 19.45 | 22.45 | 18.05 |
| 15  | WAFER-MX1.25B-15PWB | 17.50 | 20.70 | 23.70 | 19.3  |
| 16  | WAFER-MX1.25B-16PWB | 18.75 | 21.95 | 24.95 | 20.55 |



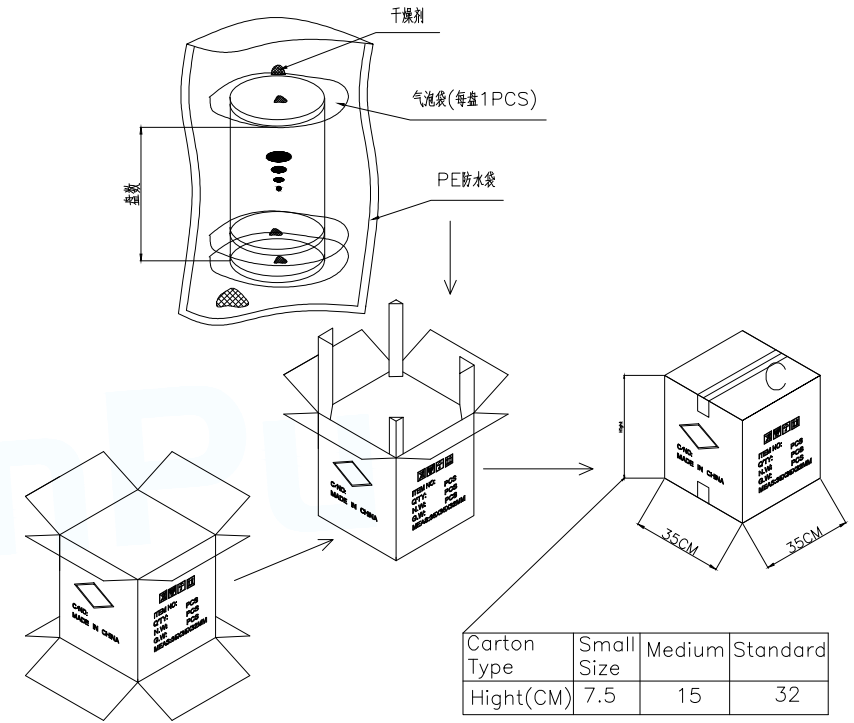
RECOMMENDED PCB LAYOUT TOP VIEW (TOLERANCE:±0.05)

SMT SOLDER AREA

|                                       |           |   |   |
|---------------------------------------|-----------|---|---|
| MANUFACTURE DWG                       |           | 东莞市讯普电子科技有限公司<br>DongGuan XunPu Electronics Co.,Ltd |   |
| UNLESS OTHERWISE SPECIFIED TOLERANCES |           |   | TITLE:WAFER PH1.25mm H3.6mm W/ B 90°SMT |
|                                       |           |   | PAR WAFER-MX1.25B-NPWB                  |
|                                       |           |   | DWN                                     |
|                                       |           |   | CHKD                                    |
| DECIMALS:                             | ANGLES:   | APVD  |   |
| .X:±0.35                              | X':±5°    | SCALE1:1 UNIT:MM                                    |   |
| .XX:±0.25                             | X.X':±3°  | SIZE:A4   |   |
| .XXX:±0.15                            | X.XX':±1° | CUSTOMER COPY                                       | SHEET:1F1 REV:A                         |

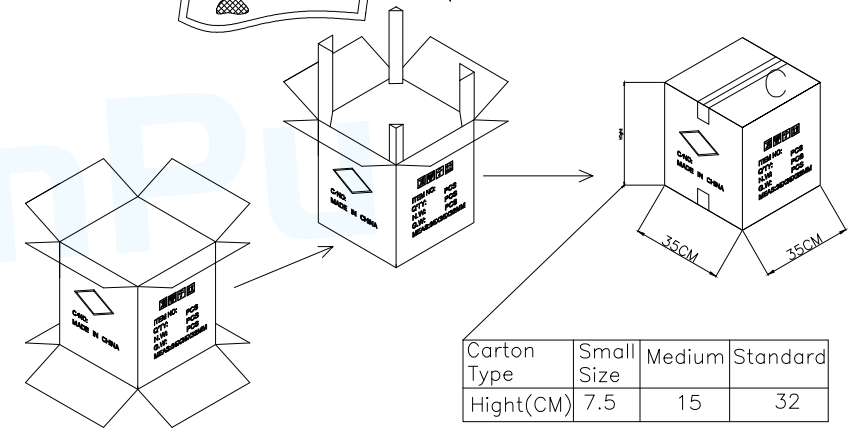
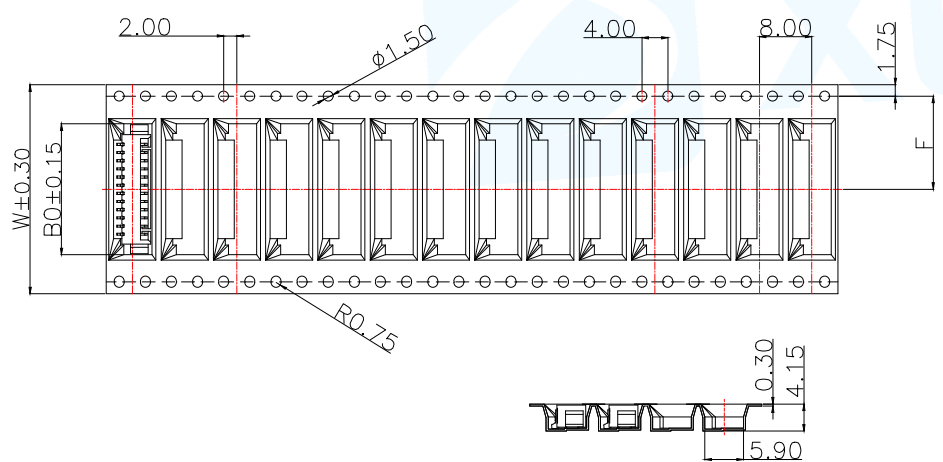
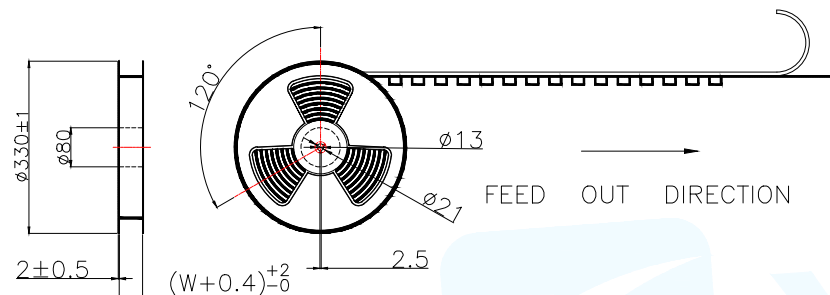
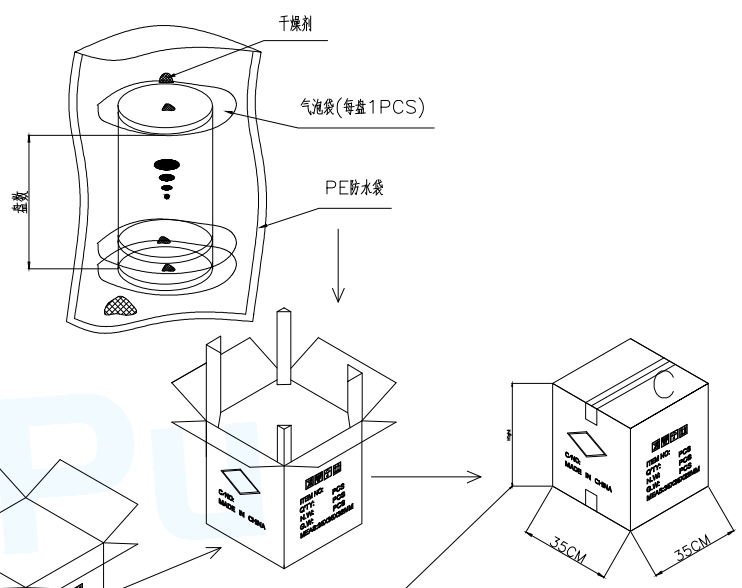
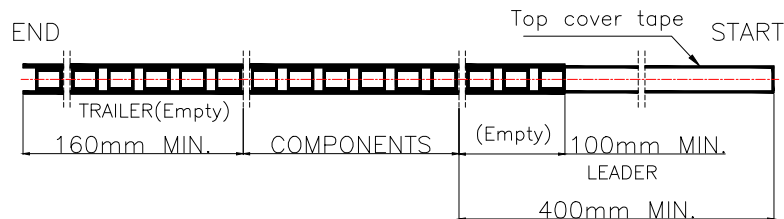


| PIN | NO.                | Dim B0 | Dim W | Dim F | PCS/RELL | RELL/CARTON | PCS/CARTON |
|-----|--------------------|--------|-------|-------|----------|-------------|------------|
| 2   | WAFER-MX1.25B-2PWB | 7.55   | 16    | 7.5   | 2000     | 14          | 28000      |
| 3   | WAFER-MX1.25B-3PWB | 8.80   |       |       |          |             |            |
| 4   | WAFER-MX1.25B-4PWB | 10.05  | 24    | 11.50 |          | 10          | 20000      |
| 5   | WAFER-MX1.25B-5PWB | 11.30  |       |       |          |             |            |
| 6   | WAFER-MX1.25B-6PWB | 12.55  |       |       |          |             |            |
| 7   | WAFER-MX1.25B-7PWB | 13.80  |       |       |          |             |            |
| 8   | WAFER-MX1.25B-8PWB | 15.05  |       |       |          |             |            |



| Carton Type | Small Size | Medium | Standard |
|-------------|------------|--------|----------|
| Hight(CM)   | 7.5        | 15     | 32       |

|                                       |           |   |  |
|---------------------------------------|-----------|---|--|
| MANUFACTURE DWG                       |           | 东莞市讯普电子科技有限公司<br>DongGuan XunPu Electronics Co.,Ltd |  |
| UNLESS OTHERWISE SPECIFIED TOLERANCES |           |   | TITLE:WAFER PH1.25mm H3.6mm<br>W/ B 90°SMT |
|                                       |           |   | PAR WAFER-MX1.25B-NPWB                     |
| DECIMALS:                             | ANGLES:   |   | DWN  |
| .X:±0.35                              | X':±5°    |   | CHKD                                       |
| .XX:±0.25                             | X.X':±3°  | APVD  | SCALE:1:1 UNIT:MM                          |
| .XXX:±0.15                            | X.XX':±1° | CUSTOMER COPY                                       | SIZE:A4 SHEET:1F1 REV:A                    |



|             |            |        |          |
|-------------|------------|--------|----------|
| Carton Type | Small Size | Medium | Standard |
| Hight(CM)   | 7.5        | 15     | 32       |

| PIN | NO.                 | Dim B0 | Dim W | Dim F | PCS/RELL | RELL/CARTON | PCS/CARTON |
|-----|---------------------|--------|-------|-------|----------|-------------|------------|
| 9   | WAFER-MX1.25B-9PWB  | 16.30  | 32    | 14.2  | 2000     | 8           | 16000      |
| 10  | WAFER-MX1.25B-10PWB | 17.55  |       |       |          |             |            |
| 11  | WAFER-MX1.25B-11PWB | 18.80  |       |       |          |             |            |
| 12  | WAFER-MX1.25B-12PWB | 20.05  |       |       |          |             |            |
| 13  | WAFER-MX1.25B-13PWB | 21.30  | 44    | 20.2  | 6        | 12000       |            |
| 14  | WAFER-MX1.25B-14PWB | 22.55  |       |       |          |             |            |
| 15  | WAFER-MX1.25B-15PWB | 23.80  |       |       |          |             |            |
| 16  | WAFER-MX1.25B-16PWB | 25.05  |       |       |          |             |            |

|                                       |           |   |   |
|---------------------------------------|-----------|---|---|
| MANUFACTURE DWG                       |           | 东莞市讯普电子科技有限公司<br>DongGuan XunPu Electronics Co.,Ltd |   |
| UNLESS OTHERWISE SPECIFIED TOLERANCES |           |   | TITLE:WAFER PH1.25mm H3.6mm W/ B 90°SMT |
| DECIMALS:                             | ANGLES:   |   | PAR WAFER-MX1.25B-NPWB                  |
| .X:±0.35                              | X':±5°    |   | DWN                                     |
| .XX:±0.25                             | X.X':±3°  |   | CHKD                                    |
| .XXX:±0.15                            | X.XX':±1° | APVD  | SCALE:1:1 UNIT:MM                       |
| CUSTOMER COPY                         |           | SIZE:A4   | SHEET:1F1 REV:A                         |

## X-ON Electronics

Largest Supplier of Electrical and Electronic Components

*Click to view similar products for [Headers & Wire Housings](#) category:*

*Click to view products by [XUNPU](#) manufacturer:*

Other Similar products are found below :

[57102-F02-18ULF](#) [58102-G61-06LF](#) [582553-1](#) [009176003701906](#) [01.001.5753.1](#) [0050291907](#) [02.125.8002.8](#) [609-3404](#) [61062-3](#)  
[CSU011177004](#) [622-0430](#) [622-3653LF](#) [63453-116](#) [636-1030](#) [636-1427](#) [636-3427](#) [636-4007](#) [641938-9](#) [644827-2](#) [65495-038](#) [65692-001LF](#)  
[65781-018](#) [65781-047](#) [65817-010LF](#) [65817-015LF](#) [66207-023LF](#) [67095-007LF](#) [67601157](#) [68631-112](#) [68645-018](#) [699319-000](#)  
[M90C108951C](#) [70.362.1628.0](#) [70-4210](#) [70-4226B](#) [70-4853B](#) [707-5028](#) [71.350.2428.0](#) [71961-016LF](#) [733-134](#) [733-162](#) [754199-000](#) [760-](#)  
[3052](#) [80.063.4001.1](#) [800-90-001-10-001000](#) [800-90-010-10-002000](#) [801-43-002-10-013000](#) [801-43-006-10-002000](#) [803-41-018-10-001000](#)  
[803-43-024-10-001000](#)