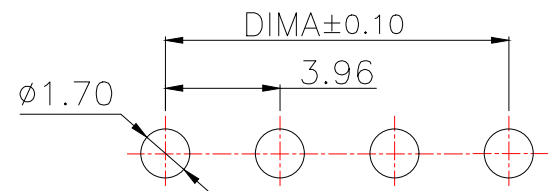
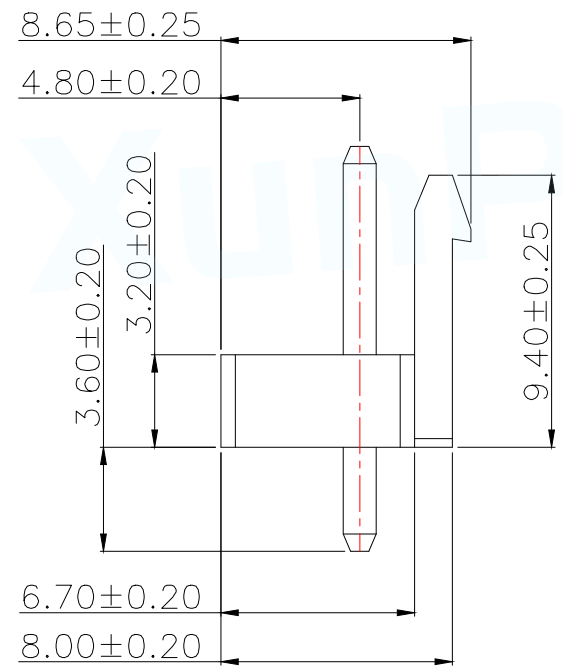
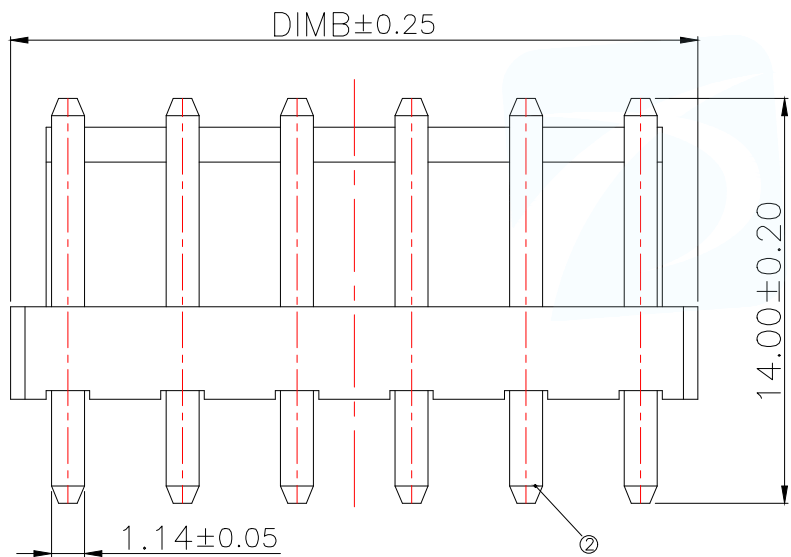


| Part No | Pin | A | B |
|------------------------|-----|-------|-------|
| WAFER-VH3.96-2PZZ-H62 | 2 | 3.96 | 7.92 |
| WAFER-VH3.96-3PZZ-H62 | 3 | 7.92 | 11.88 |
| WAFER-VH3.96-4PZZ-H62 | 4 | 11.88 | 15.84 |
| WAFER-VH3.96-5PZZ-H62 | 5 | 15.84 | 19.80 |
| WAFER-VH3.96-6PZZ-H62 | 6 | 19.80 | 23.76 |
| WAFER-VH3.96-7PZZ-H62 | 7 | 23.76 | 27.72 |
| WAFER-VH3.96-8PZZ-H62 | 8 | 27.72 | 31.68 |
| WAFER-VH3.96-9PZZ-H62 | 9 | 31.68 | 35.64 |
| WAFER-VH3.96-10PZZ-H62 | 10 | 35.64 | 39.60 |
| WAFER-VH3.96-11PZZ-H62 | 11 | 39.60 | 43.56 |
| WAFER-VH3.96-12PZZ-H62 | 12 | 43.56 | 47.52 |
| WAFER-VH3.96-13PZZ-H62 | 13 | 47.52 | 51.48 |
| WAFER-VH3.96-14PZZ-H62 | 14 | 51.48 | 55.44 |
| WAFER-VH3.96-15PZZ-H62 | 15 | 55.44 | 59.40 |
| WAFER-VH3.96-16PZZ-H62 | 16 | 59.40 | 63.36 |



适用线路板(PCB LAYOUT)

| 序号 | 品名 | 材质 |
|----|--------------|------------------------------|
| 1 | VH3.96 胶芯 | PA66 UL94V-2 Yellow |
| 2 | VH3.96 直针 端子 | Copper Alloy/ Tin Plating |

Technical Index:
 1. Temperature range: -25°C~85°C.
 2. Rated voltage: 250V DC/AC(rms).
 3. Rated current: 7.0A.
 4. Contact resistance: ≤20mΩ.
 5. Withstanding voltage: 1500V AC/minute.
 6. Insulation resistance: ≥1000MΩ.

| | | | | |
|---------------------------------------|-------------|---------------|---|-----------------------|
| MANUFACTURE DWG | | | 东莞市讯普电子科技有限公司 DongGuan XunPu Electronics Co.,Ltd | |
| UNLESS OTHERWISE SPECIFIED TOLERANCES | | | TITLE: VH3.96 直针 | |
| DECIMALS: | ANGLES: | | PAR | WAFER-VH3.96-NPZZ-H62 |
| X.:±0.50 | X':.:±5° | | DWN | |
| .X.:±0.20 | X.X':.:±3° | | CHKD | |
| .XX.:±0.10 | X.XX':.:±1° | | APVD | |
| | | CUSTOMER COPY | SCALE:1:1 | UNIT:MM |
| | | | SIZE:A4 | SHEET:1F1 |
| | | | | REV:A |

X-ON Electronics

Largest Supplier of Electrical and Electronic Components

Click to view similar products for [Headers & Wire Housings](#) category:

Click to view products by [XUNPU](#) manufacturer:

Other Similar products are found below :

[0015917161](#) [0022155065](#) [57102-F02-18ULF](#) [58102-G61-06LF](#) [582553-1](#) [01.001.5753.1](#) [0050291907](#) [02.125.8002.8](#) [609-3404](#) [61062-3](#)
[CSU011177004](#) [622-0430](#) [622-3653LF](#) [63453-116](#) [636-1030](#) [636-1427](#) [636-3427](#) [636-4007](#) [641938-9](#) [65495-038](#) [65692-001LF](#) [65781-018](#)
[65781-047](#) [65817-010LF](#) [65817-015LF](#) [67095-007LF](#) [67601157](#) [68631-112](#) [68645-018](#) [699319-000](#) [70.362.1628.0](#) [70-4210](#) [70-4226B](#) [70-](#)
[4853B](#) [71.350.2428.0](#) [733-134](#) [733-162](#) [760-3052](#) [MHR-64-VUAL](#) [80.063.4001.1](#) [800-90-001-10-001000](#) [801-43-002-10-013000](#)
[801-43-006-10-002000](#) [803-43-024-10-001000](#) [803-93-012-10-001000](#) [8-1437020-4](#) [819-22-004-30-001101](#) [820-22-006-30-001101](#)
[820-22-008-30-001101](#) [821-22-002-10-001101](#)