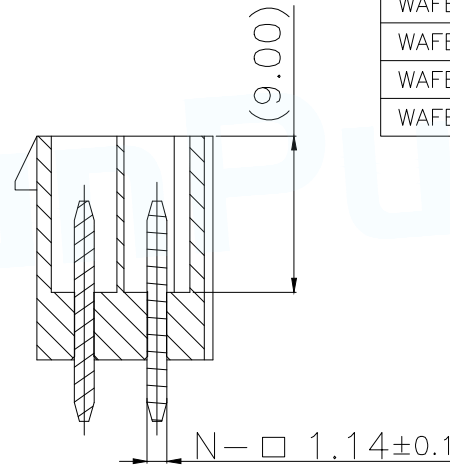
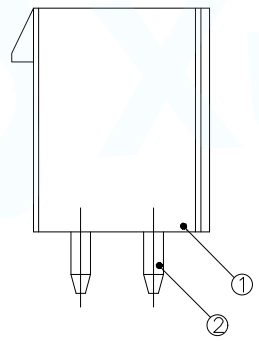
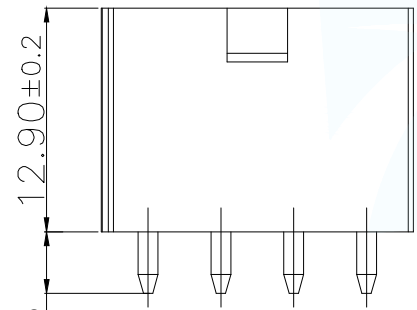
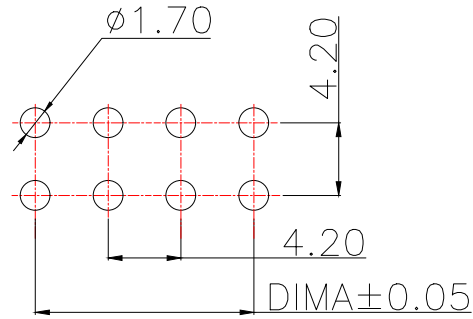


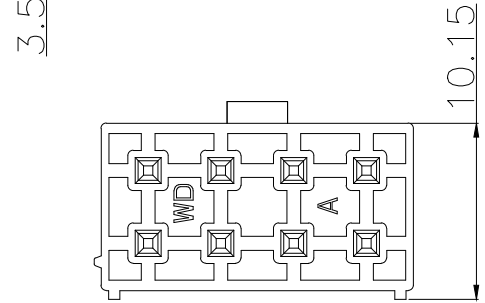
| 型号                 | CKT  | A     | B     |
|--------------------|------|-------|-------|
| WAFER-WTB4.2-02PZZ | 2*1  | 0.00  | 5.40  |
| WAFER-WTB4.2-04PZZ | 2*2  | 4.20  | 9.60  |
| WAFER-WTB4.2-06PZZ | 2*3  | 8.40  | 13.80 |
| WAFER-WTB4.2-08PZZ | 2*4  | 12.60 | 18.00 |
| WAFER-WTB4.2-10PZZ | 2*5  | 16.80 | 22.20 |
| WAFER-WTB4.2-12PZZ | 2*6  | 21.00 | 26.40 |
| WAFER-WTB4.2-14PZZ | 2*7  | 25.20 | 30.60 |
| WAFER-WTB4.2-16PZZ | 2*8  | 29.40 | 34.80 |
| WAFER-WTB4.2-18PZZ | 2*9  | 33.40 | 39.00 |
| WAFER-WTB4.2-20PZZ | 2*10 | 37.80 | 43.20 |
| WAFER-WTB4.2-22PZZ | 2*11 | 42.00 | 47.40 |
| WAFER-WTB4.2-24PZZ | 2*12 | 46.20 | 51.60 |



SECTION A-A  
SCALE 1:1



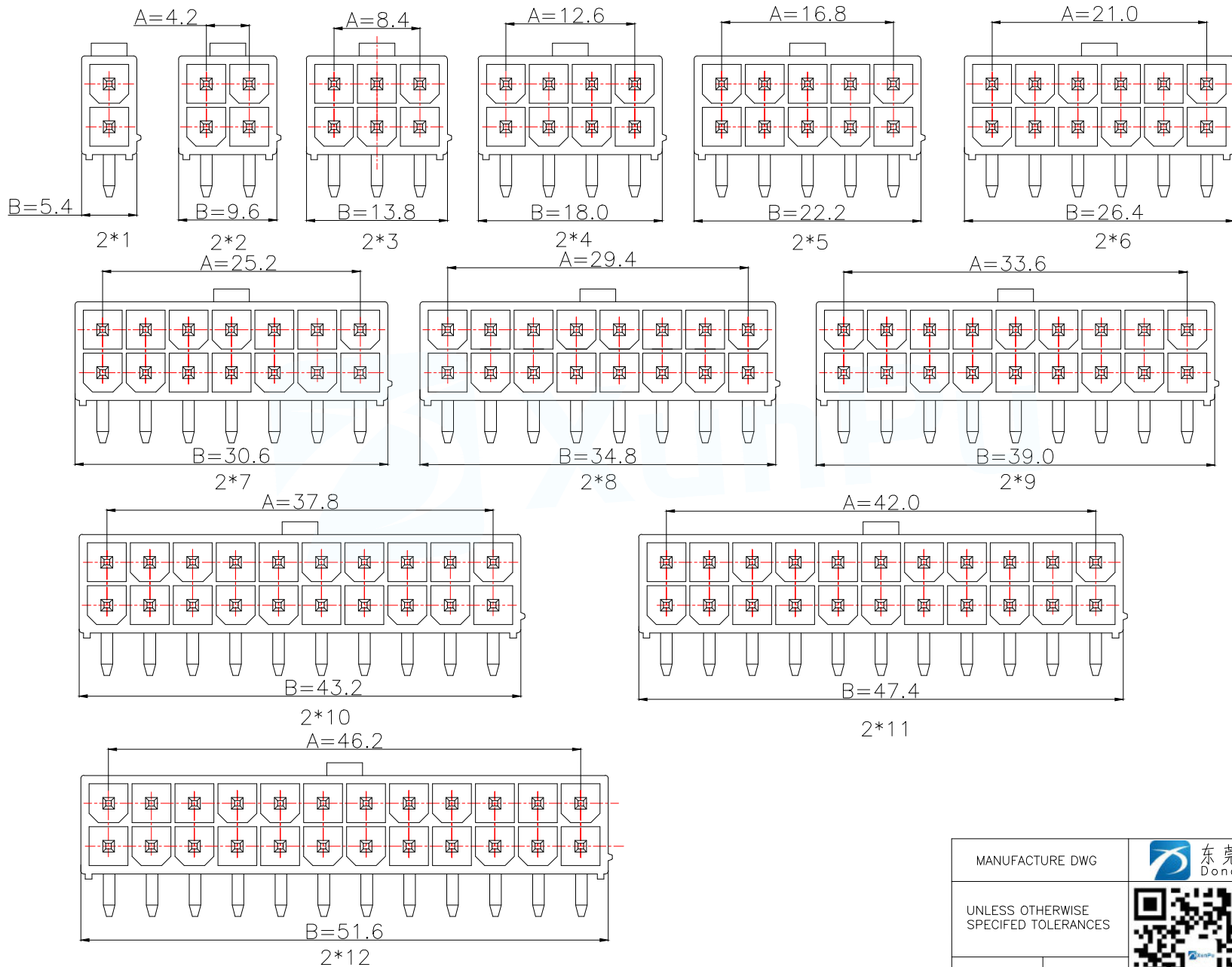
PCB.WELDING DRAWING (TOLERANCE:±0.05)



技术指标:

1. 温度范围: -25°C~85°C.
2. 额定电压: 250V AC,DC.
3. 耐电压: 1500V AC/minute.
4. 接触电阻: ≤20mΩ .
5. 绝缘电阻: ≥1000MΩ.
6. 额定电流: 5A AC,DC.

|                                       |         |   |                                   |
|---------------------------------------|---------|---|-----------------------------------|
| MANUFACTURE DWG                       |         | 东莞市讯普电子科技有限公司<br>DongGuan XunPu Electronics Co.,Ltd |                                   |
| UNLESS OTHERWISE SPECIFIED TOLERANCES |         |   | TITLE:<br>WTB4.2MM WAFER DIP TYPE |
| DECIMALS:                             | ANGLES: |   | PAR<br>WAFER-WTB4.2-NPZZ          |
| X.X±0.30                              | X.*±5'  |   | DWN                               |
| X.XX±0.25                             | X.X'±1' |   | CHKD                              |
| X.XXX±0.15                            |         | APVD  | SCALE:A UNIT:MM                   |
| CUSTOMER COPY                         |         | SIZE:A4   | SHEET:1F1                         |
|                                       |         |   | REV:A                             |



|                                       |         |   |                                   |
|---------------------------------------|---------|---|-----------------------------------|
| MANUFACTURE DWG                       |         |  东莞市讯普电子科技有限公司<br>DongGuan XunPu Electronics Co.,Ltd |                                   |
| UNLESS OTHERWISE SPECIFIED TOLERANCES |         |    | TITLE:<br>WTB4.2MM WAFER DIP TYPE |
| DECIMALS:                             | ANGLES: |   | PAR<br>WAFER-WTB4.2-NPWZ          |
| X.X±0.30                              | X.*±5°  |   | DWN                               |
| X.XX±0.25                             | X.*±1°  |   | CHKD                              |
| X.XXX±0.15                            |         | APVD  | SCALE:A UNIT:MM                   |
| CUSTOMER COPY                         |         | SIZE:A4   | UNIT:MM                           |
|                                       |         | SHEET:1F1   | REV:A                             |

## X-ON Electronics

Largest Supplier of Electrical and Electronic Components

*Click to view similar products for [Headers & Wire Housings](#) category:*

*Click to view products by [XUNPU](#) manufacturer:*

Other Similar products are found below :

[0015917161](#) [0022155065](#) [57102-F02-18ULF](#) [58102-G61-06LF](#) [582553-1](#) [01.001.5753.1](#) [0050291907](#) [02.125.8002.8](#) [609-3404](#) [61062-3](#)  
[CSU011177004](#) [622-0430](#) [622-3653LF](#) [63453-116](#) [636-1030](#) [636-1427](#) [636-3427](#) [636-4007](#) [641938-9](#) [65495-038](#) [65692-001LF](#) [65781-018](#)  
[65781-047](#) [65817-010LF](#) [65817-015LF](#) [67095-007LF](#) [67601157](#) [68631-112](#) [68645-018](#) [699319-000](#) [70.362.1628.0](#) [70-4210](#) [70-4226B](#) [70-](#)  
[4853B](#) [71.350.2428.0](#) [733-134](#) [733-162](#) [760-3052](#) [MHR-64-VUAL](#) [80.063.4001.1](#) [800-90-001-10-001000](#) [801-43-002-10-013000](#)  
[801-43-006-10-002000](#) [803-43-024-10-001000](#) [803-93-012-10-001000](#) [8-1437020-4](#) [819-22-004-30-001101](#) [820-22-006-30-001101](#)  
[820-22-008-30-001101](#) [821-22-002-10-001101](#)