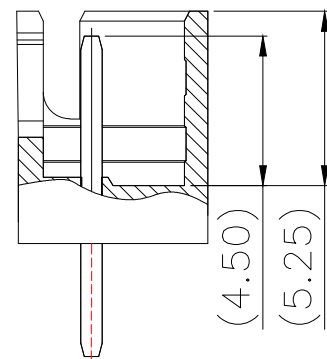
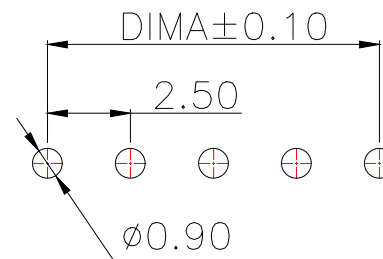
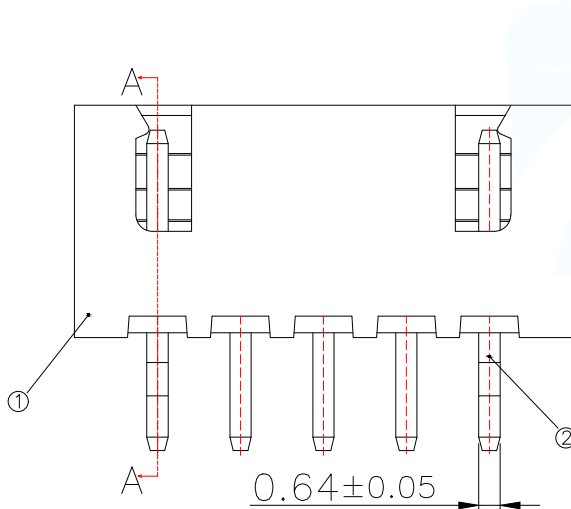


2 Pin样式



SECTION A-A

| Part No                | Pin | A    | B    |
|------------------------|-----|------|------|
| WAFER-XH2.54-2PZZ-R62  | 2   | 2.5  | 7.5  |
| WAFER-XH2.54-3PZZ-R62  | 3   | 5.0  | 10.0 |
| WAFER-XH2.54-4PZZ-R62  | 4   | 7.5  | 12.5 |
| WAFER-XH2.54-5PZZ-R62  | 5   | 10.0 | 15.0 |
| WAFER-XH2.54-6PZZ-R62  | 6   | 12.5 | 17.5 |
| WAFER-XH2.54-7PZZ-R62  | 7   | 15.0 | 20.0 |
| WAFER-XH2.54-8PZZ-R62  | 8   | 17.5 | 22.5 |
| WAFER-XH2.54-9PZZ-R62  | 9   | 20.0 | 25.0 |
| WAFER-XH2.54-10PZZ-R62 | 10  | 22.5 | 27.5 |
| WAFER-XH2.54-11PZZ-R62 | 11  | 25.0 | 30.0 |
| WAFER-XH2.54-12PZZ-R62 | 12  | 27.5 | 32.5 |
| WAFER-XH2.54-13PZZ-R62 | 13  | 30.0 | 35.0 |
| WAFER-XH2.54-14PZZ-R62 | 14  | 32.5 | 37.5 |
| WAFER-XH2.54-15PZZ-R62 | 15  | 35.0 | 40.0 |
| WAFER-XH2.54-16PZZ-R62 | 16  | 37.5 | 42.5 |



适用线路板(PCB LAYOUT)

Technical Index:  
 1. Temperature range: -25°C~85°C.  
 2. Rated voltage: 250V DC/AC(rms).  
 3. Rated current: 3.0A.  
 4. Contact resistance: ≤20mΩ.  
 5. Withstanding voltage: 1000V AC/minute.  
 6. Insulation resistance: ≥1000MΩ.

| 序号 | 品名          | 材质                           |
|----|-------------|------------------------------|
| 1  | XH2.5 嵌芯    | PA66 UL94V-2 Red             |
| 2  | XH2.5 直针 端子 | Copper Alloy/<br>Tin Plating |

|                                       |            |           |   |                       |
|---------------------------------------|------------|-----------|---|-----------------------|
| MANUFACTURE DWG                       |            |           | 东莞市讯普电子科技有限公司<br>DongGuan XunPu Electronics Co.,Ltd |                       |
| UNLESS OTHERWISE SPECIFIED TOLERANCES |            |           | TITLE:<br>XH2.5 直针                                  |                       |
| DECIMALS:                             | ANGLES:    |           | PAR   | WAFER-XH2.54-NPZZ-R62 |
| .X:±0.50                              | X'::±5°    |           | DWN   |                       |
| .X:±0.20                              | X.X'::±3°  | CHKD      |   |                       |
| .XX:±0.10                             | X.XX'::±1° | APVD      |   |                       |
| CUSTOMER COPY                         |            | SCALE:1:1 | UNIT:MM   |                       |
|                                       |            | SIZE:A4   | SHEET:1F1   |                       |
|                                       |            |           | REV:A   |                       |

## X-ON Electronics

Largest Supplier of Electrical and Electronic Components

*Click to view similar products for [Headers & Wire Housings](#) category:*

*Click to view products by [XUNPU](#) manufacturer:*

Other Similar products are found below :

[0015917161](#) [0022155065](#) [57102-F02-18ULF](#) [58102-G61-06LF](#) [582553-1](#) [01.001.5753.1](#) [0050291907](#) [02.125.8002.8](#) [609-3404](#) [61062-3](#)  
[CSU011177004](#) [622-0430](#) [622-3653LF](#) [63453-116](#) [636-1030](#) [636-1427](#) [636-3427](#) [636-4007](#) [641938-9](#) [65495-038](#) [65692-001LF](#) [65781-018](#)  
[65781-047](#) [65817-010LF](#) [65817-015LF](#) [67095-007LF](#) [67601157](#) [68631-112](#) [68645-018](#) [699319-000](#) [70.362.1628.0](#) [70-4210](#) [70-4226B](#) [70-](#)  
[4853B](#) [71.350.2428.0](#) [733-134](#) [733-162](#) [MHR-64-VUAL](#) [80.063.4001.1](#) [800-90-001-10-001000](#) [801-43-002-10-013000](#) [801-43-006-10-](#)  
[002000](#) [803-43-024-10-001000](#) [803-93-012-10-001000](#) [8-1437020-4](#) [819-22-004-30-001101](#) [820-22-006-30-001101](#) [820-22-008-30-001101](#)  
[821-22-002-10-001101](#) [821-22-003-10-002101](#)