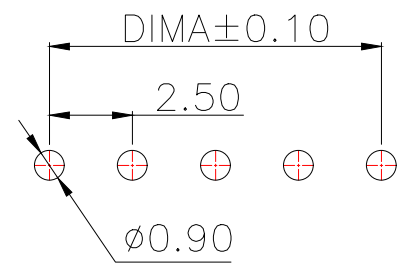
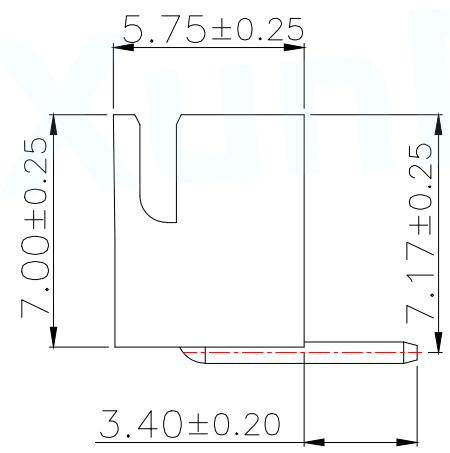
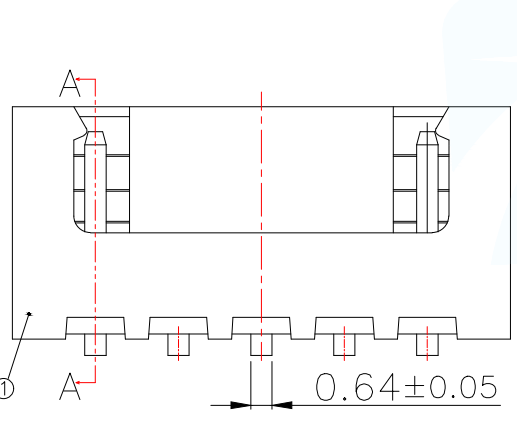


2 Pin样式

| Part No | Pin | A | B |
|------------------------|-----|------|------|
| WAFER-XH2.54-2PWZ-H62 | 2 | 2.5 | 7.5 |
| WAFER-XH2.54-3PWZ-H62 | 3 | 5.0 | 10.0 |
| WAFER-XH2.54-4PWZ-H62 | 4 | 7.5 | 12.5 |
| WAFER-XH2.54-5PWZ-H62 | 5 | 10.0 | 15.0 |
| WAFER-XH2.54-6PWZ-H62 | 6 | 12.5 | 17.5 |
| WAFER-XH2.54-7PWZ-H62 | 7 | 15.0 | 20.0 |
| WAFER-XH2.54-8PWZ-H62 | 8 | 17.5 | 22.5 |
| WAFER-XH2.54-9PWZ-H62 | 9 | 20.0 | 25.0 |
| WAFER-XH2.54-10PWZ-H62 | 10 | 22.5 | 27.5 |
| WAFER-XH2.54-11PWZ-H62 | 11 | 25.0 | 30.0 |
| WAFER-XH2.54-12PWZ-H62 | 12 | 27.5 | 32.5 |
| WAFER-XH2.54-13PWZ-H62 | 13 | 30.0 | 35.0 |
| WAFER-XH2.54-14PWZ-H62 | 14 | 32.5 | 37.5 |
| WAFER-XH2.54-15PWZ-H62 | 15 | 35.0 | 40.0 |
| WAFER-XH2.54-16PWZ-H62 | 16 | 37.5 | 42.5 |



Technical Index:
 1. Temperature range: -25°C~85°C.
 2. Rated voltage: 250V DC/AC(rms).
 3. Rated current: 3.0A.
 4. Contact resistance: ≤20mΩ.
 5. Withstanding voltage: 1000V AC/minute.
 6. Insulation resistance: ≥1000MΩ.

适用线路板(PCB LAYOUT)

| 序号 | 品名 | 材质 |
|----|-------------|------------------------------|
| 1 | XH2.5 胶芯 | PA66 UL94V-2 Yellow |
| 2 | XH2.5 弯针 端子 | Copper Alloy/ Tin Plating |

| | | | | |
|---------------------------------------|------------|-----------|---|-----------------------|
| MANUFACTURE DWG | | | 东莞市讯普电子科技有限公司 DongGuan XunPu Electronics Co.,Ltd | |
| UNLESS OTHERWISE SPECIFIED TOLERANCES | | | TITLE: XH2.5 弯针 | |
| DECIMALS: | ANGLES: | | PAR | WAFER-XH2.54-NPWZ-H62 |
| X.:±0.50 | X'::±5° | | DWN | |
| .X:±0.20 | X.X'::±3° | CHKD | | |
| .XX:±0.10 | X.XX'::±1° | APVD | | |
| CUSTOMER COPY | | SCALE:1:1 | UNIT:MM | |
| | | SIZE:A4 | SHEET:1F1 | REV:A |

X-ON Electronics

Largest Supplier of Electrical and Electronic Components

Click to view similar products for [Headers & Wire Housings](#) category:

Click to view products by [XUNPU](#) manufacturer:

Other Similar products are found below :

[0015917161](#) [0022155065](#) [57102-F02-18ULF](#) [58102-G61-06LF](#) [582553-1](#) [01.001.5753.1](#) [0050291907](#) [02.125.8002.8](#) [609-3404](#) [61062-3](#)
[CSU011177004](#) [622-0430](#) [622-3653LF](#) [63453-116](#) [636-1030](#) [636-1427](#) [636-3427](#) [636-4007](#) [641938-9](#) [65495-038](#) [65692-001LF](#) [65781-018](#)
[65781-047](#) [65817-010LF](#) [65817-015LF](#) [67095-007LF](#) [67601157](#) [68631-112](#) [68645-018](#) [699319-000](#) [70.362.1628.0](#) [70-4210](#) [70-4226B](#) [70-](#)
[4853B](#) [71.350.2428.0](#) [733-134](#) [733-162](#) [760-3052](#) [MHR-64-VUAL](#) [80.063.4001.1](#) [800-90-001-10-001000](#) [801-43-002-10-013000](#)
[801-43-006-10-002000](#) [803-43-024-10-001000](#) [803-93-012-10-001000](#) [8-1437020-4](#) [819-22-004-30-001101](#) [820-22-006-30-001101](#)
[820-22-008-30-001101](#) [821-22-002-10-001101](#)