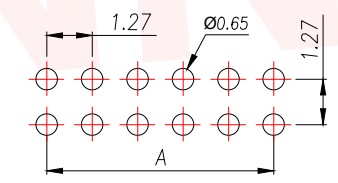
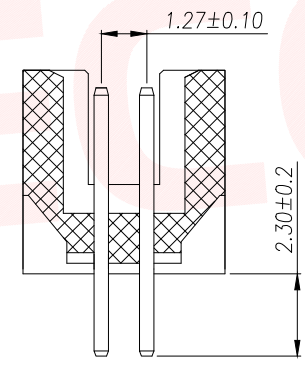
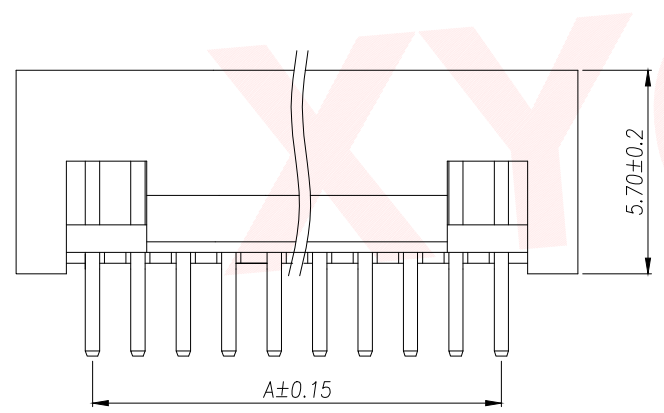
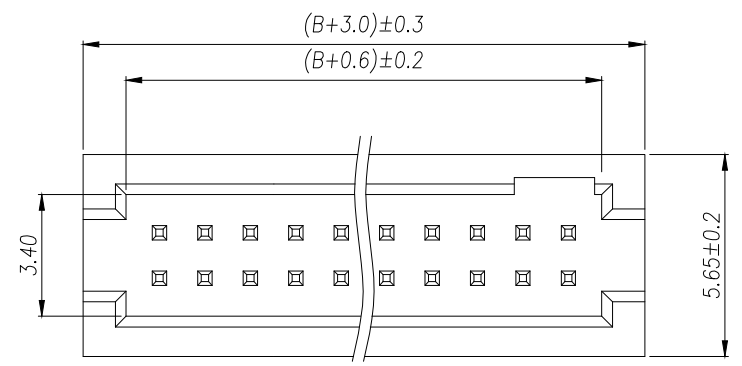


REV.	Q'TY	ECN. NO.	APR.	DATE

**SPECIFICATIONS**

Current Rating: 1.0 Amps  
 Withstanding Voltage: AC 500V  
 Insulation Resistance: 1000MΩ Min  
 Contact Resistance: 20mΩ Max  
 Operation Temperature: -40° to +105°  
 Insulator Material: Polyester (UL94V-0)  
 Contact Material: Brass  
 Standard: PA6T  
 Contact Plating: Gold Flash  
 Max. Processing Temp: 240°C for 30-60 seconds  
 (260°C for 5 seconds)



RECOMMEND P.C.B LAYOUT  
 PCB TOLERANCE: ±0.05 (TOP VIEW)

Part No	Pin	A	B	Part No	Pin	A	B
IDC1.27-UP1S-3A	3	2.54	3.81	IDC1.27-UP1S-13A	13	15.24	16.51
IDC1.27-UP1S-4A	4	3.81	5.08	IDC1.27-UP1S-15A	15	17.78	19.05
IDC1.27-UP1S-5A	5	5.08	6.35	IDC1.27-UP1S-17A	17	20.32	21.59
IDC1.27-UP1S-6A	6	6.35	7.62	IDC1.27-UP1S-20A	20	24.13	25.40
IDC1.27-UP1S-7A	7	7.62	8.89	IDC1.27-UP1S-22A	22	26.67	27.94
IDC1.27-UP1S-8A	8	8.89	10.16	IDC1.27-UP1S-25A	25	30.48	31.75
IDC1.27-UP1S-10A	10	11.43	12.70	IDC1.27-UP1S-30A	30	36.83	38.10
IDC1.27-UP1S-12A	12	13.97	15.24				

DIMENSION IN mm		TOLERANCE UNLESS OTHERWISE SPECIFIED		APR. Alex		TITLE: 1.27IDC-nPin H5.7 180° PC2.3 L7.2 6T	
.X±0.35	X.*± 5'	.XX±0.25	.X.*± 3'	CHK. Jack	DWG NO. IDC1.27-UP1S-NA		
.XXX±0.15	.XX.*± 1'	DRA. Can	PROJ.		CUSTOMER DRAWING		
SIZE A4		SCALE 1:1		SHEET 1/1		REV. A	

厦门市辛译精密电子有限公司  
 Xiamen XinYi Xyecom Electronics Co.,Ltd

## X-ON Electronics

Largest Supplier of Electrical and Electronic Components

*Click to view similar products for [Headers & Wire Housings](#) category:*

*Click to view products by [XYECONN](#) manufacturer:*

Other Similar products are found below :

[0015917161](#) [0022155065](#) [57102-F02-18ULF](#) [58102-G61-06LF](#) [582553-1](#) [01.001.5753.1](#) [0050291907](#) [02.125.8002.8](#) [609-3404](#) [61062-3](#)  
[CSU011177004](#) [622-0430](#) [622-3653LF](#) [63453-116](#) [636-1030](#) [636-1427](#) [636-3427](#) [636-4007](#) [641938-9](#) [65495-038](#) [65692-001LF](#) [65781-018](#)  
[65781-047](#) [65817-010LF](#) [65817-015LF](#) [67095-007LF](#) [67601157](#) [68631-112](#) [68645-018](#) [699319-000](#) [70.362.1628.0](#) [70-4210](#) [70-4226B](#) [70-](#)  
[4853B](#) [71.350.2428.0](#) [733-134](#) [733-162](#) [760-3052](#) [MHR-64-VUAL](#) [80.063.4001.1](#) [800-90-001-10-001000](#) [801-43-002-10-013000](#)  
[801-43-006-10-002000](#) [803-43-024-10-001000](#) [803-93-012-10-001000](#) [8-1437020-4](#) [819-22-004-30-001101](#) [820-22-006-30-001101](#)  
[820-22-008-30-001101](#) [821-22-002-10-001101](#)