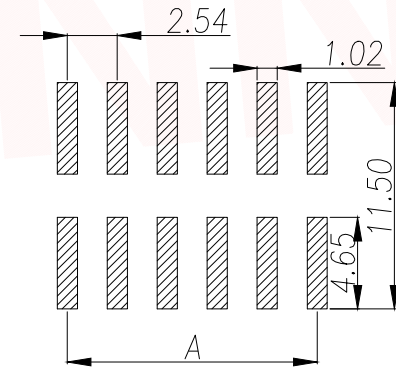
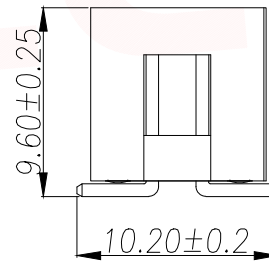
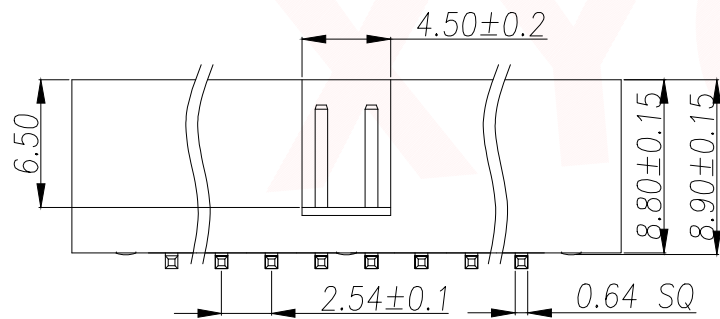
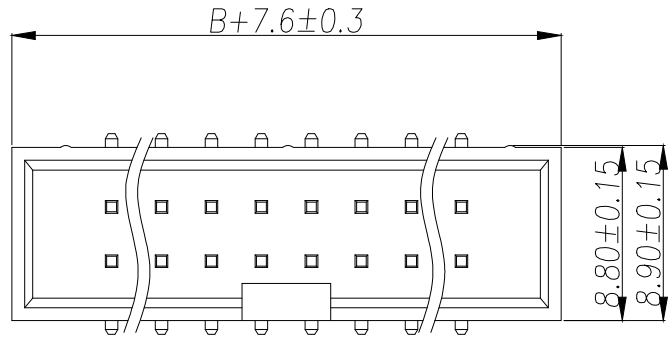


SPECIFICATIONS

REV.	Q'TY	ECN. NO.	APR.	DATE

Current Rating: 3Amps
 Insulation Resistance: 1000MΩ Min
 Contact Resistance: 20mΩ Max
 Withstanding Voltage: AC 1000V
 Operation Temperature: -40° to +105°
 Contact Material: Brass
 Insulator Material: Polyester (UL 94V-0)
 Contact plating: Gold Flash
 Standard: PA6T
 Max. Processing Temp: 240°C for 30-60 seconds
 (260°C for 10 seconds)



RECOMMEND P.C.B LAYOUT
 PCB TOLERANCE: ±0.05 (TOP VIEW)

Part No	Pin	A	B	Part No	Pin	A	B	Part No	Pin	A	B
IDC2.54-US2S-3A	3	5.08	7.62	IDC2.54-US2S-10A	10	22.86	25.40	IDC2.54-US2S-18A	18	43.18	45.72
IDC2.54-US2S-4A	4	7.62	10.16	IDC2.54-US2S-12A	12	27.94	30.48	IDC2.54-US2S-20A	20	48.26	50.80
IDC2.54-US2S-5A	5	10.16	12.70	IDC2.54-US2S-13A	13	30.48	33.02	IDC2.54-US2S-22A	22	53.34	55.88
IDC2.54-US2S-6A	6	12.70	15.24	IDC2.54-US2S-14A	14	33.02	35.56	IDC2.54-US2S-25A	25	60.96	63.50
IDC2.54-US2S-7A	7	15.24	17.78	IDC2.54-US2S-15A	15	35.56	38.10	IDC2.54-US2S-30A	30	73.66	76.20
IDC2.54-US2S-8A	8	17.78	20.32	IDC2.54-US2S-16A	16	38.10	40.64	IDC2.54-US2S-32A	32	78.74	81.28
IDC2.54-US2S-9A	9	20.32	22.86	IDC2.54-US2S-17A	17	40.64	43.18				

DIMENSION IN mm		TOLERANCE UNLESS OTHERWISE SPECIFIED		APR. Alex		TITLE: 2.54IDC-NP in H8.9 SMT PC10.2 PB9.6 L11.5 6T	
.X±0.35	X.*±5°	CHK. Jack		DWG NO. IDC2.54-US2S-NA		PROJ. CUSTOMER DRAWING	
.XX±0.25	.X°±3°	DRA. Can		SIZE A4		SCALE 1:1 SHEET 1/1 REV. A	
.XXX±0.15	.XX°±1°						

X-ON Electronics

Largest Supplier of Electrical and Electronic Components

Click to view similar products for [Headers & Wire Housings](#) category:

Click to view products by [XYECONN](#) manufacturer:

Other Similar products are found below :

[0015917161](#) [0022155065](#) [57102-F02-18ULF](#) [58102-G61-06LF](#) [582553-1](#) [01.001.5753.1](#) [0050291907](#) [02.125.8002.8](#) [609-3404](#) [61062-3](#)
[CSU011177004](#) [622-0430](#) [622-3653LF](#) [63453-116](#) [636-1030](#) [636-1427](#) [636-3427](#) [636-4007](#) [641938-9](#) [65495-038](#) [65692-001LF](#) [65781-018](#)
[65781-047](#) [65817-010LF](#) [65817-015LF](#) [67095-007LF](#) [67601157](#) [68631-112](#) [68645-018](#) [699319-000](#) [70.362.1628.0](#) [70-4210](#) [70-4226B](#) [70-](#)
[4853B](#) [71.350.2428.0](#) [733-134](#) [733-162](#) [MHR-64-VUAL](#) [80.063.4001.1](#) [800-90-001-10-001000](#) [801-43-002-10-013000](#) [801-43-006-10-](#)
[002000](#) [803-43-024-10-001000](#) [803-93-012-10-001000](#) [8-1437020-4](#) [819-22-004-30-001101](#) [820-22-006-30-001101](#) [820-22-008-30-001101](#)
[821-22-002-10-001101](#) [821-22-003-10-002101](#)