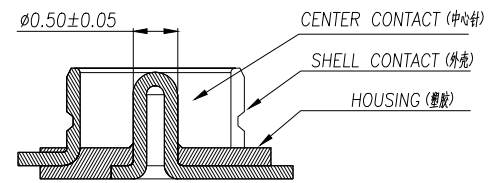
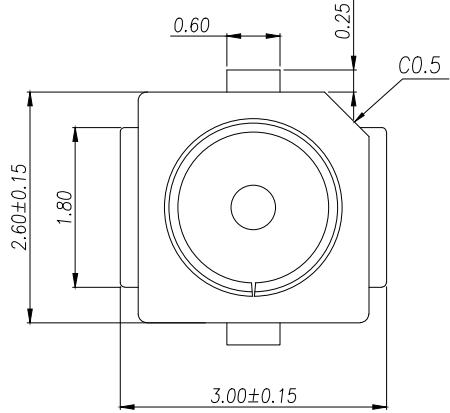


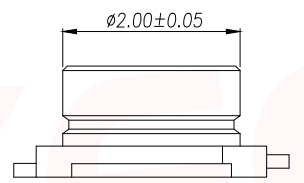
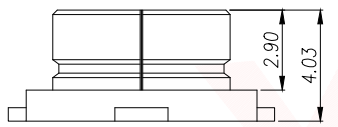
REV.	Q'TY	ECN. NO.	APR.	DATE

PRELIMINARY  
DESIGN IS SUBJECT  
TO CHANGE WITHOUT  
PRIOR NOTICE

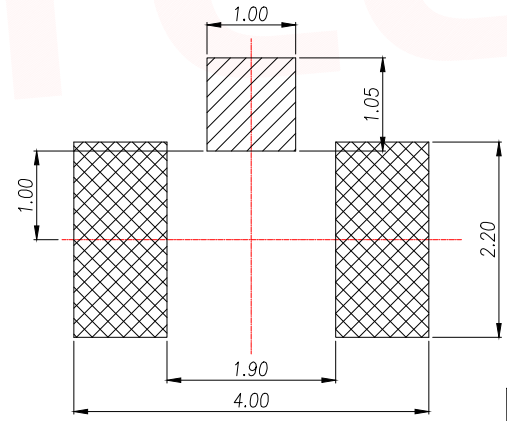
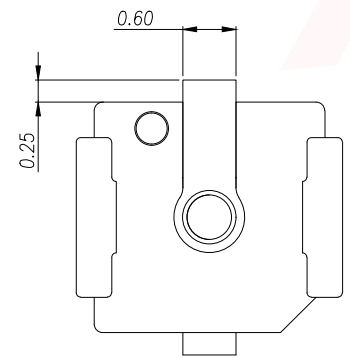


NOTES(备注) :

- 1.0. RATING :
- 1.1. VOITAGE :60 VAC (R.M.S.)
  - 1.2. NOMINAL CHARACTERISTIC IMPEDANCE: 50 Ohm
  - 1.3. APPLICABLE FREQUENCY: DC ~ 6GHz
  - 1.4. VSWR: 1.3 MAX. (DC~3GHz), 1.5 MAX. (3~6GHz)
  - 1.5. TEMPERATURE : -40°C TO +85°C
  - 1.6. APPLIED TO IR SOLDERING PROCESS



- 2.0. MATERIAL SEE BILL OF MATERIAL:
- 2.1. HOUSING: THERMOPLASTIC LCP, UL94V-0 (LCP UL94V-0),
  - 2.2. CENTER CONTACT : COPPER ALLOY C5191 (C5191).
  - 2.3. SHELL CONTACT: COPPER ALLOY C5191 (C5191).



RECOMMENDED PCB LAYOUT  
(TOLERANCE: ±0.05)

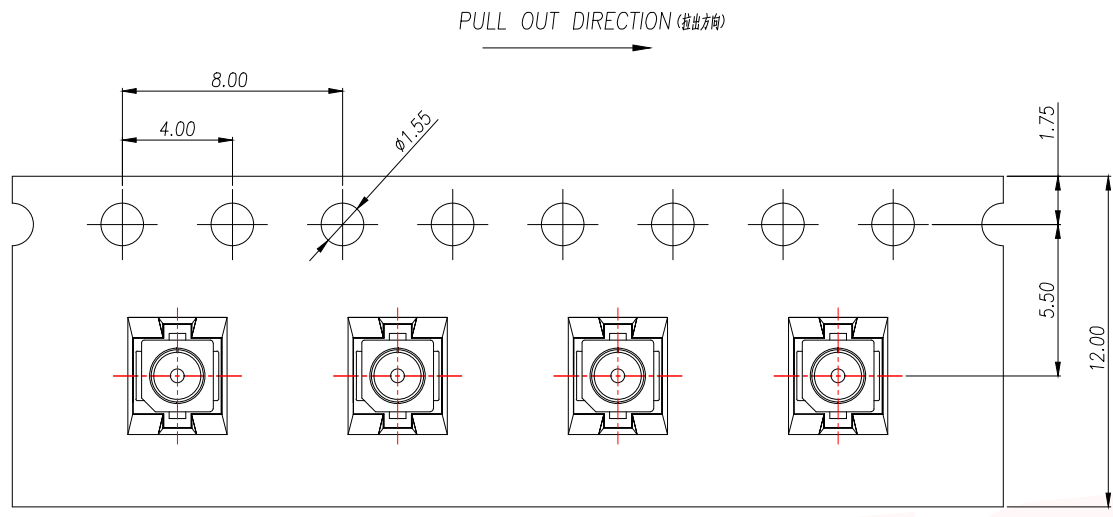
CENTER CONTACT  
 GROUND CONTACT

DIMENSION IN mm		厦门市辛译精密电子有限公司 Xiamen XinYi Xyconn Electronics Co.,Ltd		
TOLERANCE UNLESS OTHERWISE SPECIFIED				
.X±0.35	X.*±5*	APR.	Alex	TITLE: 无线座一代座子
.XX±0.25	.X.*±3*	CHK.	Jack	DWG NO. RF1-1D
.XXX±0.15	.XX.*±1*	DRA.	Can	PROJ.  CUSTOMER DRAWING
SIZE A4	SCALE 1:1	SHEET 1/3	REV. A	

REV.	Q'TY	ECN. NO.	APR.	DATE

A  
B  
C  
D  
E  
F

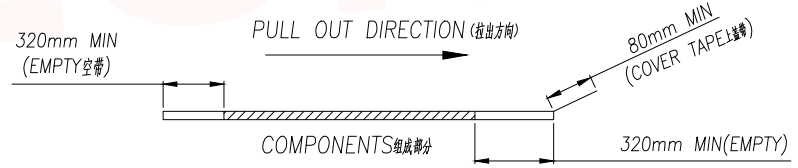
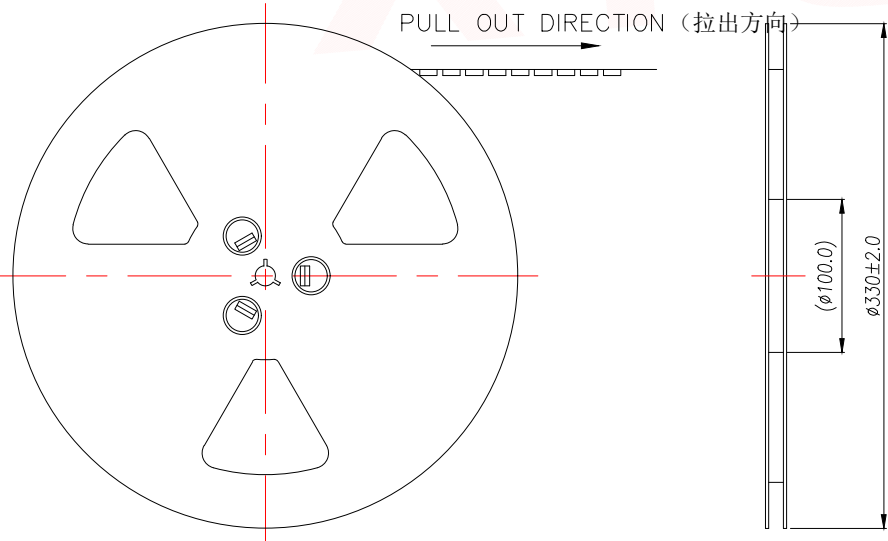
A  
B  
C  
D  
E  
F



PRELIMINARY  
DESIGN IS SUBJECT  
TO CHANGE WITHOUT  
PRIOR NOTICE

NOTES:

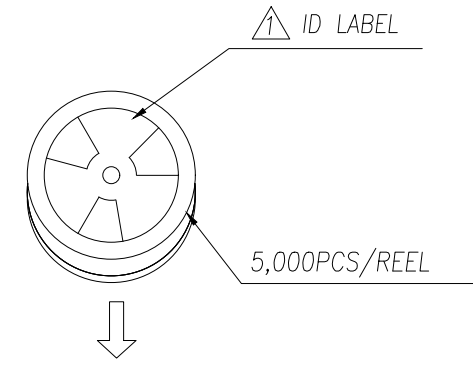
- MATERIAL:
  - 1.1 EMBOSSED CARRIER: PET
  - 1.2 COVER TAPE: PET
  - 1.3 REEL: PS
  - 1.4 SHIPPING CARTON: CORRUGATED FIBER
- DIMENSION:
  - 2.1 REEL: W=12.5
  - 2.2 SHIPPING CARTON: L=350, W=350, H=190
- QUANTITY:
  - 3.1 PRIMARY PACKING: 5000PCS/REEL
  - 3.2 CRITERION PACKING: 10REELS/CARTON(10卷/箱50000PCS)
- WEIGHT:
  - 4.1 NET WEIGHT: 0.50KG/REEL.
  - 4.2 GROSS WEIGHT: 0.50KG/REEL, 5.5KG/CARTON.
- PEELING RESISTANCE: 10gf~130gf.



DIMENSION IN mm		厦门市辛译精密电子有限公司 Xiamen XinYi Xyconn Electronics Co.,Ltd			
TOLERANCE UNLESS OTHERWISE SPECIFIED		APR.	Alex	TITLE: 无线座一代座子	
.X $\pm$ 0.35	X.* $\pm$ 5*	CHK.	Jack	DWG NO. RF1-1D	
.XX $\pm$ 0.25	.X.* $\pm$ 3*	DRA.	Can	PROJ.  CUSTOMER DRAWING	
.XXX $\pm$ 0.15	.XX.* $\pm$ 1*	SIZE	A4	SCALE	1:1
		SHEET	2/3	REV.	A

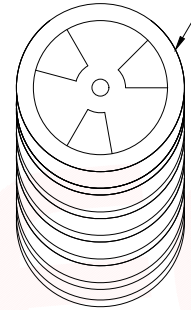
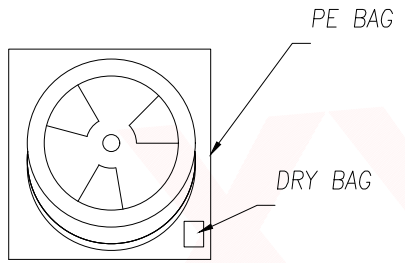
REV.	Q'TY	ECN. NO.	APR.	DATE

PRELIMINARY  
DESIGN IS SUBJECT  
TO CHANGE WITHOUT  
PRIOR NOTICE



10REELS/CARTON

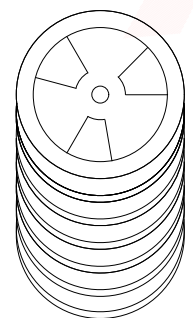
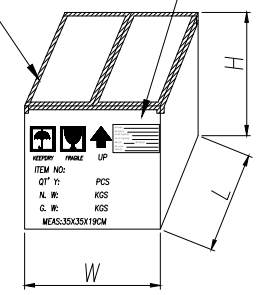
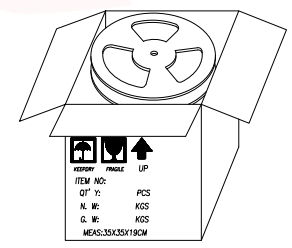
品名 NAME:	_____
料号 PART No.:	_____
客户料号 CLIENT PIN:	_____
客户订单 CLIENT PO#:	_____
数量 QTY:	_____
重量 WEIGHT:	_____
批次 LOT No.:	_____
日期 DATE:	_____



ID LABEL

ID LABEL

STICK TAPE



DIMENSION IN mm		厦门市辛译精密电子有限公司 Xiamen XinYi Xyecomm Electronics Co.,Ltd		
TOLERANCE UNLESS OTHERWISE SPECIFIED				
.X±0.35	X.*± 5'	APR. Alex	TITLE: 无线座 一代座子	
.XX±0.25	.X.*± 3'	CHK. Jack	DWG NO. RF1-1D	
.XXX±0.15	.XX.*± 1'	DRA. Can	PROJ.	CUSTOMER DRAWING
SIZE A4	SCALE 1:1	SHEET 3/3	REV. A	

## X-ON Electronics

Largest Supplier of Electrical and Electronic Components

*Click to view similar products for [RF Connectors](#) / [Coaxial Connectors](#) category:*

*Click to view products by [XYECONN](#) manufacturer:*

Other Similar products are found below :

[89674-0827](#) [6059674-1](#) [630059-000](#) [6501-1071-002](#) [6769](#) [7002-1541-010](#) [7002-1572-002](#) [7004-1512-000](#) [7009-1511-004](#) [7101-1541-010](#)  
[7101-1571-002](#) [7105-1521-002](#) [7145-1521-002](#) [7203-1571-003](#) [7209-1511-011](#) [7210-1511-040](#) [7242-1511-000](#) [7405-1521-005](#) [7405-1521-](#)  
[802](#) [804S01D04M040](#) [8527](#) [8547](#) [FS11V](#) [877931](#) [8808-1511-001](#) [9049-9513-000](#) [9074-9513-000](#) [PL11C-026](#) [PL40-36](#) [9408-1113-000](#)  
[980-8666-005](#) [11 SMA-50-2-6 / 111 NE](#) [11 SMA-50-3-6 / 111 NE](#) [11 SMA-50-2-6/111 NH](#) [1-201144-1](#) [120919](#) [R107003010W](#) [R112186000](#)  
[R113053000W](#) [R113082097](#) [R113236000](#) [R114083000](#) [R114670000W](#) [R123415000W](#) [R124072220W](#) [R124076320](#) [R124076450](#)  
[R124175123](#) [R124176123W](#) [R125075000W](#)