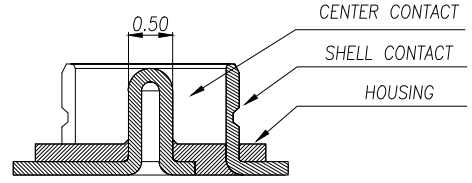
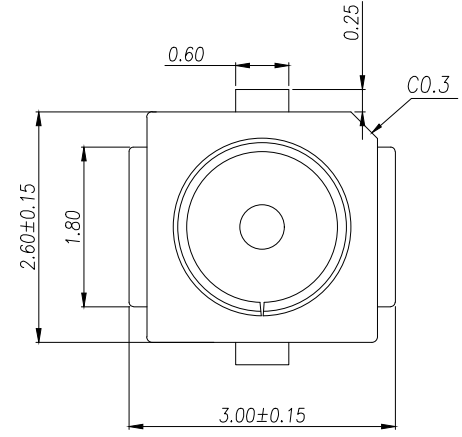


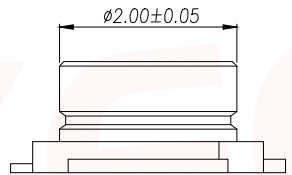
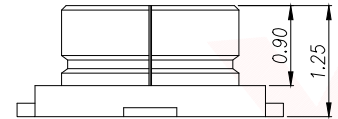
|      |      |          |      |      |
|------|------|----------|------|------|
| REV. | Q'TY | ECN. NO. | APR. | DATE |
|      |      |          |      |      |

PRELIMINARY  
DESIGN IS SUBJECT  
TO CHANGE WITHOUT  
PRIOR NOTICE

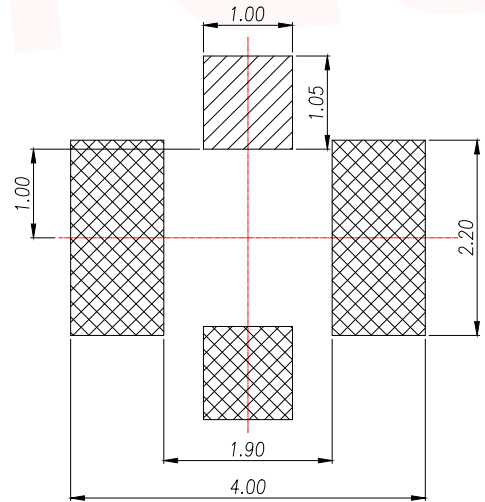
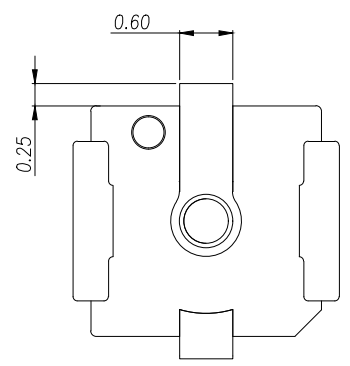


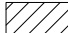

NOTES(备注) :

- 1.0. RATING :
- 1.1. VOITAGE :60 VAC (R.M.S.)
  - 1.2. NOMINAL CHARACTERISTIC IMPEDANCE: 50 Ohm
  - 1.3. APPLICABLE FREQUENCY: DC ~ 6GHz
  - 1.4. VSWR: 1.3 MAX. (DC~3GHz), 1.5 MAX. (3~6GHz)
  - 1.5. TEMPERATURE : -40°C TO +85°C
  - 1.6. APPLIED TO IR SOLDERING PROCESS



- 2.0. MATERIAL SEE BILL OF MATERIAL:
- 2.1. HOUSING: THERMOPLASTIC LCP, UL94V-0 (LCP UL94V-0),
  - 2.2. CENTER CONTACT : COPPER ALLOY C5191 (C5191).
  - 2.3. SHELL CONTACT: COPPER ALLOY C5191 (C5191).

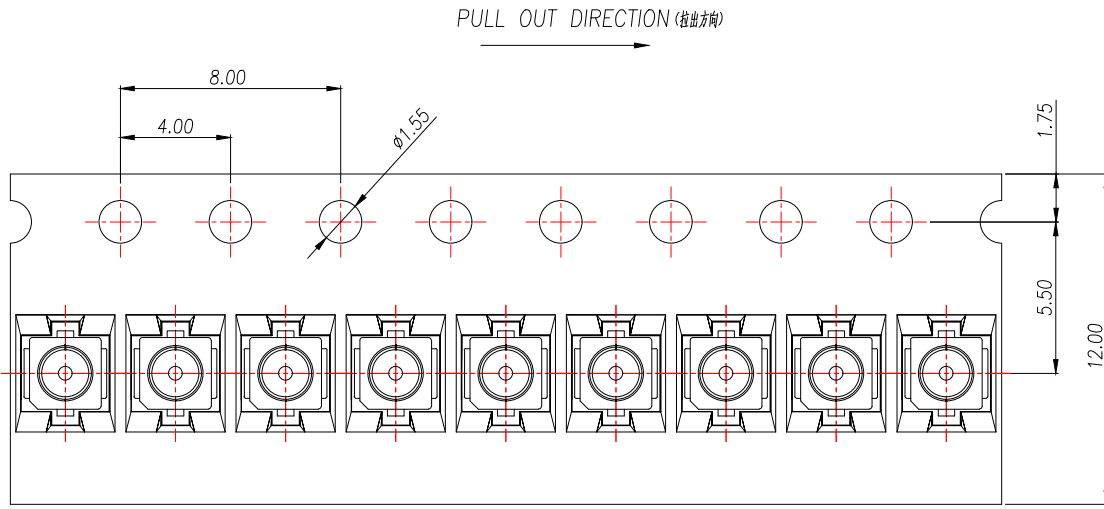


 CENTER CONTACT  
 GROUND CONTACT

RECOMMENDED PCB LAYOUT  
(TOLERANCE: ±0.05)

|                                      |         |  |                  |           |
|--------------------------------------|---------|--|------------------|-----------|
| DIMENSION IN mm                      |         | 厦门市辛译精密电子有限公司<br>Xiamen XinYi Xyecom Electronics Co.,Ltd |                  |           |
| TOLERANCE UNLESS OTHERWISE SPECIFIED |         | APR. Alex  | TITLE: 无线座 二代座子  |           |
| .X±0.35                              | X.*±5*  | CHK. Jack  | DWG NO. RF1-2D   |           |
| .XX±0.25                             | .X*±3*  | DRA. Can   | CUSTOMER DRAWING |           |
| .XXX±0.15                            | .XX*±1* | SIZE A4  | SCALE 1:1        | SHEET 1/3 |
|                                      |         |  | REV. A           |           |

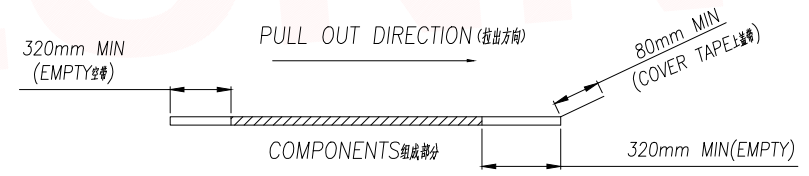
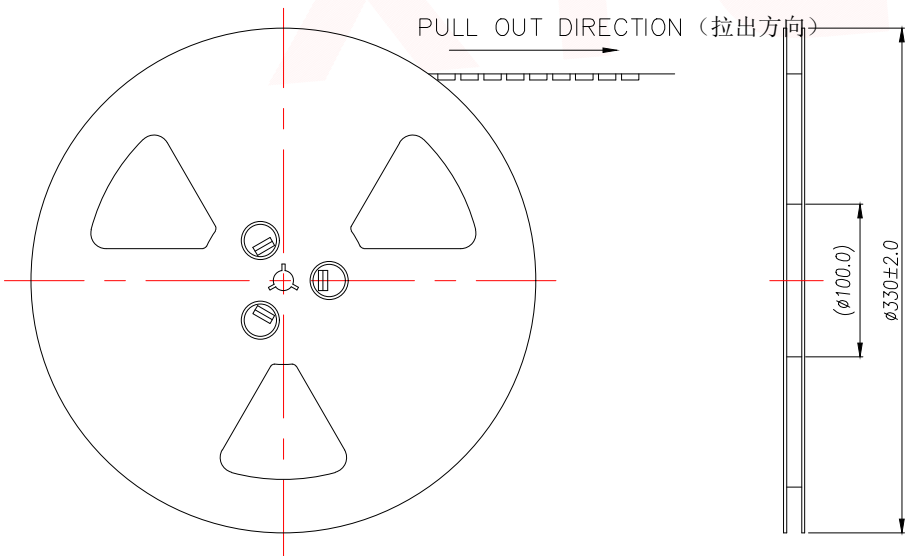
|      |      |          |      |      |
|------|------|----------|------|------|
| REV. | Q'TY | ECN. NO. | APR. | DATE |
|      |      |          |      |      |



PRELIMINARY  
DESIGN IS SUBJECT  
TO CHANGE WITHOUT  
PRIOR NOTICE

NOTES:

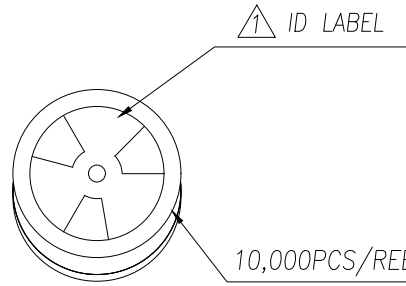
- MATERIAL :
  - EMBOSSED CARRIER: PET
  - COVER TAPE: PET
  - REEL: PS
  - SHIPPING CARTON: CORRUGATED FIBER
- DIMENSION :
  - REEL: W=12.5
  - SHIPPING CARTON: L=350, W=350, H=190
- QUANTITY :
  - PRIMARY PACKING: 10,000PCS/REEL
  - CRITERION PACKING: 10REELS/CARTON(10卷/箱100,000PCS)
- WEIGHT:
  - NET WEIGHT: 0.60KG/REEL.
  - GROSS WEIGHT: 0.60KG/REEL, 6.5KG/CARTON.
- PEELING RESISTANCE: 10gf~130gf.



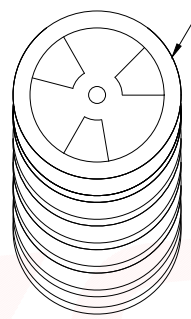
|                                      |          |  |                 |                  |
|--------------------------------------|----------|--|-----------------|------------------|
| DIMENSION IN mm                      |          | 厦门市辛译精密电子有限公司<br>Xiamen XinYi Xyconn Electronics Co.,Ltd |                 |                  |
| TOLERANCE UNLESS OTHERWISE SPECIFIED |          | APR. Alex  | TITLE: 无线座 二代座子 |                  |
| .X±0.35                              | X.*± 5'  | CHK. Jack  | DWG NO. RF1-2D  |                  |
| .XX±0.25                             | .X*± 3'  | DRA. Can   | PROJ.           | CUSTOMER DRAWING |
| .XXX±0.15                            | .XX*± 1' | SIZE A4  | SCALE 1:1       | SHEET 2/3 REV. A |

|      |      |          |      |      |
|------|------|----------|------|------|
| REV. | Q'TY | ECN. NO. | APR. | DATE |
|      |      |          |      |      |

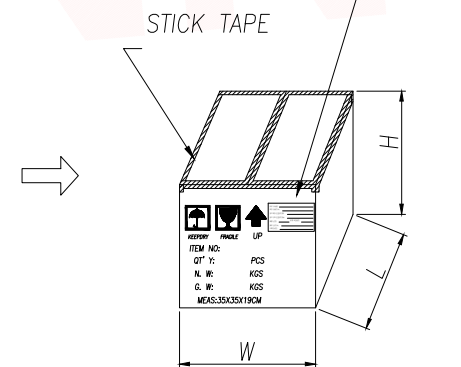
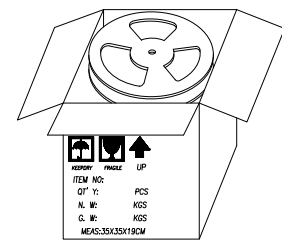
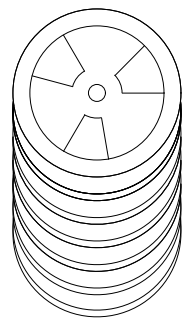
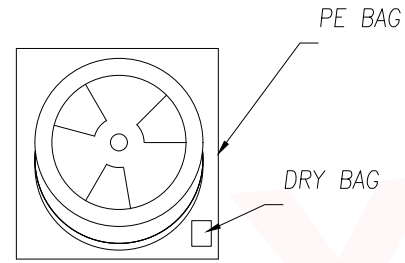
PRELIMINARY  
DESIGN IS SUBJECT  
TO CHANGE WITHOUT  
PRIOR NOTICE



10 REELS/CARTON



品名 NAME: \_\_\_\_\_  
 料号 PART No.: \_\_\_\_\_  
 客户料号 CLIENT PN: \_\_\_\_\_  
 客户订单 CLIENT PO#: \_\_\_\_\_  
 数量 QTY: \_\_\_\_\_ 重量 WEIGHT: \_\_\_\_\_  
 批次 LOT No.: \_\_\_\_\_  
 日期 DATE: \_\_\_\_\_



|                                      |           |  |        |                         |
|--------------------------------------|-----------|--|--------|-------------------------|
| DIMENSION IN mm                      |           | 厦门市辛译精密电子有限公司<br>Xiamen XinYi Xyconn Electronics Co.,Ltd |        |                         |
| TOLERANCE UNLESS OTHERWISE SPECIFIED |           |  |        |                         |
| .X±0.35                              | X.*± 5'   | APR.   | Alex   | TITLE: 无线座 二代座子         |
| .XX±0.25                             | .X.*± 3'  | CHK.   | Jack   | DWG NO. RF1-2D          |
| .XXX±0.15                            | .XX.*± 1' | DRA.   | Can    | PROJ.  CUSTOMER DRAWING |
| SIZE A4                              | SCALE 1:1 | SHEET 2/3  | REV. A |                         |

## X-ON Electronics

Largest Supplier of Electrical and Electronic Components

*Click to view similar products for [RF Connectors / Coaxial Connectors](#) category:*

*Click to view products by [XYECONN](#) manufacturer:*

Other Similar products are found below :

[89674-0827](#) [6059674-1](#) [630059-000](#) [6501-1071-002](#) [6769](#) [7002-1541-010](#) [7002-1572-002](#) [7004-1512-000](#) [7009-1511-004](#) [7101-1541-010](#)  
[7101-1571-002](#) [7105-1521-002](#) [7145-1521-002](#) [7203-1571-003](#) [7209-1511-011](#) [7210-1511-040](#) [7242-1511-000](#) [7405-1521-005](#) [7405-1521-](#)  
[802](#) [804S01D04M040](#) [8527](#) [8547](#) [FS11V](#) [877931](#) [8808-1511-001](#) [9049-9513-000](#) [9074-9513-000](#) [PL11C-026](#) [PL40-36](#) [9408-1113-000](#)  
[980-8666-005](#) [11 SMA-50-2-6 / 111 NE](#) [11 SMA-50-3-6 / 111 NE](#) [11 SMA-50-2-6/111 NH](#) [1-201144-1](#) [120919](#) [R107003010W](#) [R112186000](#)  
[R113053000W](#) [R113082097](#) [R113236000](#) [R114083000](#) [R114670000W](#) [R123415000W](#) [R124072220W](#) [R124076320](#) [R124076450](#)  
[R124175123](#) [R124176123W](#) [R125075000W](#)