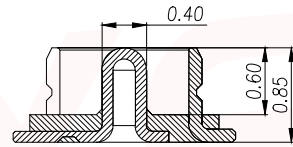
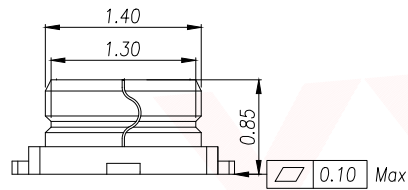
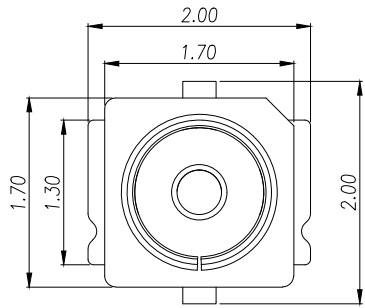
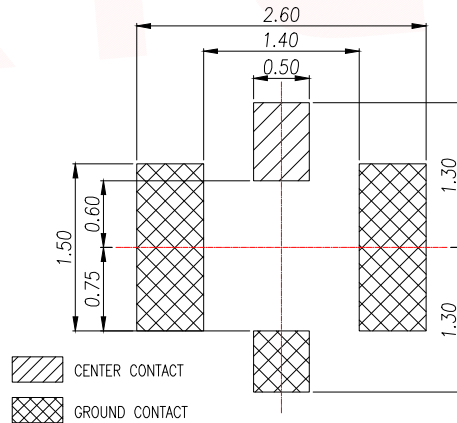
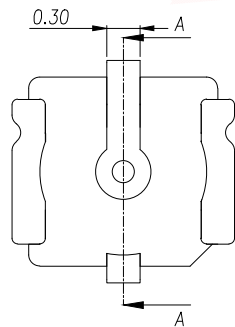


REV.	Q'TY	ECN. NO.	APR.	DATE

PRELIMINARY
DESIGN IS SUBJECT
TO CHANGE WITHOUT
PRIOR NOTICE



SECTION A-A




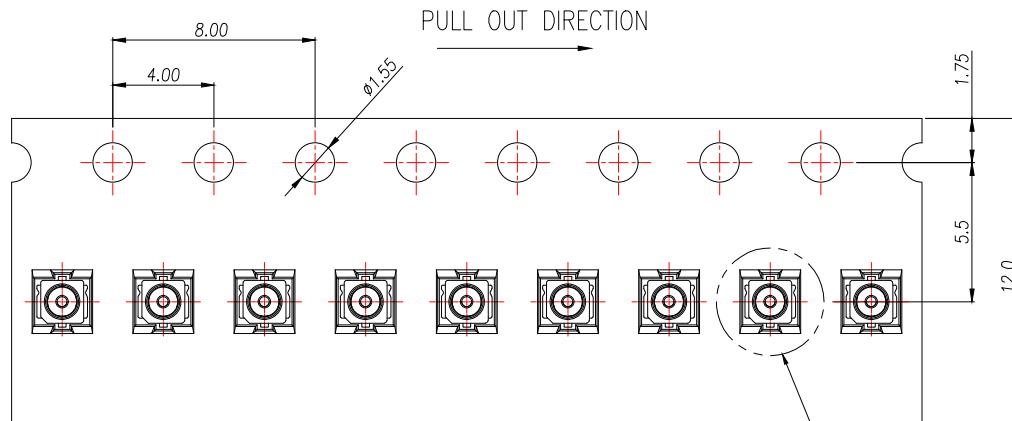
 CENTER CONTACT
 GROUND CONTACT

RECOMMENDED PCB LAYOUT
(TOLERANCE:±0.05)

NOTES :

- 1.0. RATING :
 - 1.1. VOLTAGE :60 VAC (R.M.S.)
 - 1.2. NOMINAL CHARACTERISTIC IMPEDANCE: 50 Ohm
 - 1.3. APPLICABLE FREQUENCY: DC ~ 6GHz
 - 1.4. VSWR: 1.3 MAX. (DC~3GHz), 1.5 MAX. (3~6GHz)
 - 1.5. TEMPERATURE :-40°C TO +85°C
- 2.0. ALL DIMENSIONS SHOULD BE CONTROLLED IN FAI.:
- 3.0. MARKED ∇^* SHOULD BE CONTROLLED BY QIP.:
- 4.0. MATERIAL SEE BILL OF MATERIAL :

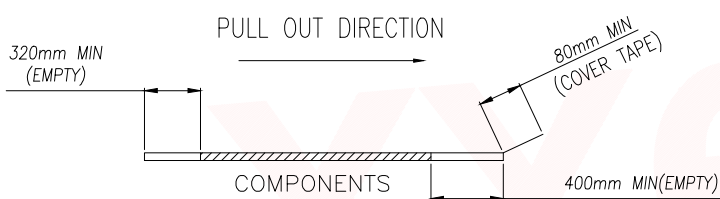
DIMENSION IN mm		厦门市辛译精密电子有限公司 Xiamen XinYi Xyconn Electronics Co.,Ltd		
TOLERANCE UNLESS OTHERWISE SPECIFIED		APR.	Alex	TITLE: 无线座 三代座子
.X±0.35	X.*± 5*	CHK.	Jack	DWG NO. RF1-3D
.XX±0.25	.X*± 3*	DRA.	Can	PROJ.  CUSTOMER DRAWING
.XXX±0.15	.XX*± 1*	SIZE A4	SCALE 1:1	SHEET 1/3 REV. A



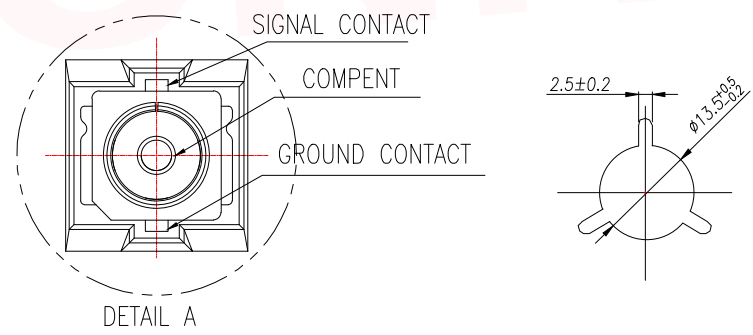
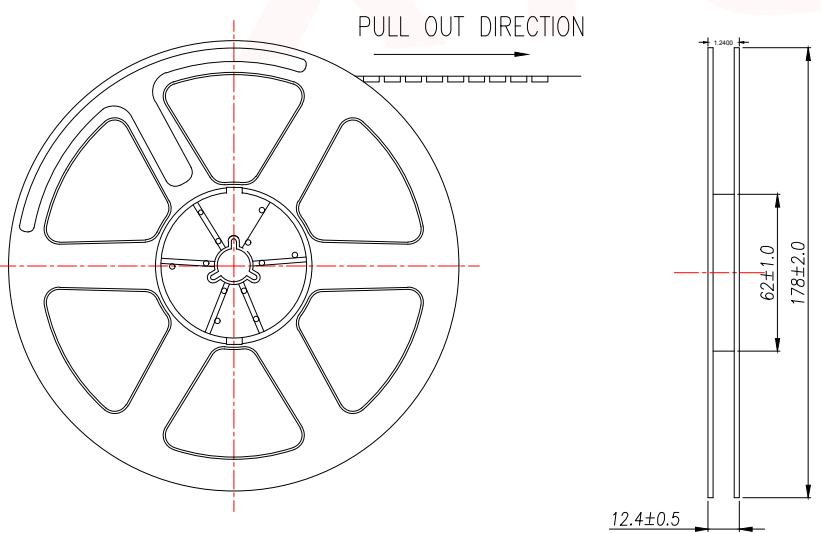
PRELIMINARY
DESIGN IS SUBJECT
TO CHANGE WITHOUT
PRIOR NOTICE

NOTES:

- MATERIAL :
 - 1.1 EMBOSSED CARRIER: PET
 - 1.2 COVER TAPE: PET
 - 1.3 SHIPPING CARTON: CORRUGATED FIBER
- DIMENSION :
 - 2.1 REEL: W=12.4
 - 2.2 SHIPPING CARTON: L=190, W=190, H=190
- PEELING RESISTANCE: 10gf~130gf.
- QUANTITY/WEIGHT :



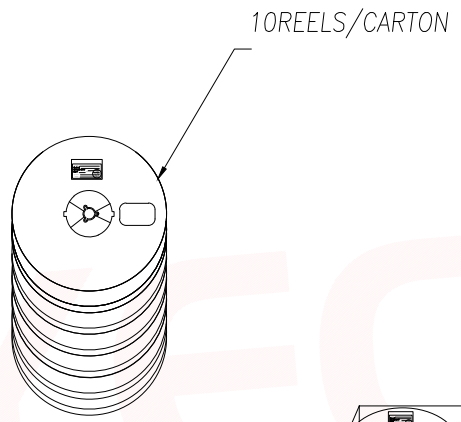
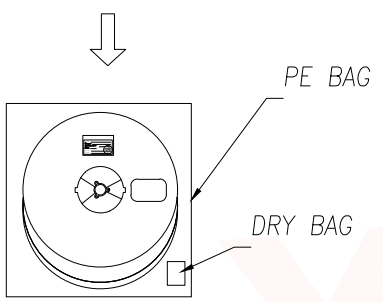
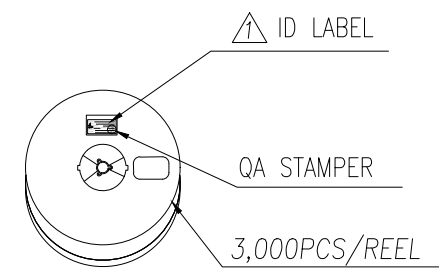
PART NO.	PRIMARY PACKING	SECONDARY PACKING	NET WEIGHT	GROSS WEIGHT
MRFB03-B01100	3000PCS/REEL	30000PCS/BOX	0.18KG/REEL	2.00KG/BOX



DIMENSION IN mm		厦门市辛译精密电子有限公司 Xiamen XinYi Xyconn Electronics Co.,Ltd			
TOLERANCE UNLESS OTHERWISE SPECIFIED		APR.	Alex	TITLE: 无线座 三伏座子	
.X±0.35	X.*± 5*	CHK.	Jack	DWG NO. RF1-3D	
.XX±0.25	.X*± 3*	DRA.	Can	PROJ.	CUSTOMER DRAWING
.XXX±0.15	.XX*± 1*	SIZE	A4	SCALE	1:1
		SHEET	2/3	REV.	A

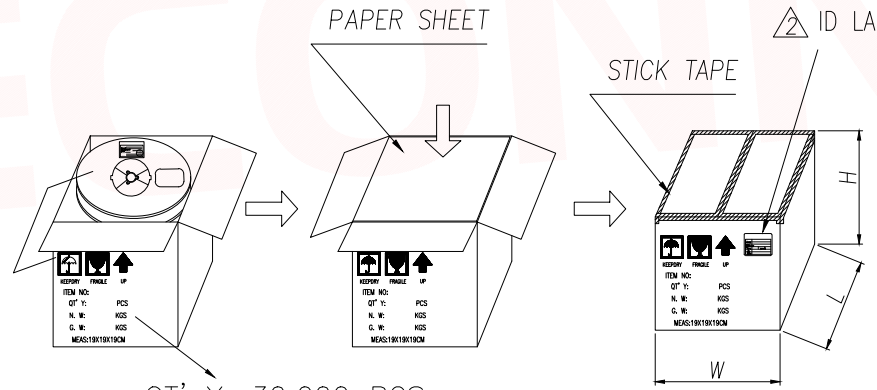
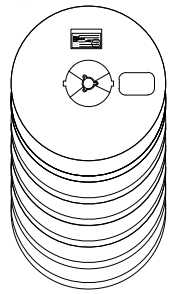
REV.	Q'TY	ECN. NO.	APR.	DATE

PRELIMINARY
DESIGN IS SUBJECT
TO CHANGE WITHOUT
PRIOR NOTICE



品名 NAME: _____
 料号 PART No: _____
 客户料号 CUSTOMER PART No: _____
 数量 Q'TY: _____ 重量 WEIGHT: _____
 批次 LOT No: _____
 日期 DATE: _____

ID LABEL



QT' Y: 30,000 PCS
 N. W: 1.76 KGS
 G. W: 2.0 KGS
 MEAS: 19X19X19CM

DIMENSION IN mm		厦门市辛译精密电子有限公司 Xiamen XinYi Xyconn Electronics Co.,Ltd		
TOLERANCE UNLESS OTHERWISE SPECIFIED		TITLE: 无线座 三代座子		
.X±0.35	X.*± 5*	APR.	Alex	DWG NO. RF1-3D
.XX±0.25	.X*± 3*	CHK.	Jack	PROJ. CUSTOMER DRAWING
.XXX±0.15	.XX*± 1*	DRA.	Can	SIZE A4 SCALE 1:1 SHEET 3/3 REV. A

X-ON Electronics

Largest Supplier of Electrical and Electronic Components

Click to view similar products for [RF Connectors / Coaxial Connectors](#) category:

Click to view products by [XYECONN](#) manufacturer:

Other Similar products are found below :

[89674-0827](#) [6059674-1](#) [630059-000](#) [6501-1071-002](#) [6769](#) [7002-1541-010](#) [7002-1572-002](#) [7004-1512-000](#) [7009-1511-004](#) [7101-1541-010](#)
[7101-1571-002](#) [7105-1521-002](#) [7145-1521-002](#) [7203-1571-003](#) [7209-1511-011](#) [7210-1511-040](#) [7242-1511-000](#) [7405-1521-005](#) [7405-1521-](#)
[802](#) [804S01D04M040](#) [8527](#) [8547](#) [FS11V](#) [877931](#) [8808-1511-001](#) [9049-9513-000](#) [9074-9513-000](#) [PL11C-026](#) [PL40-36](#) [9408-1113-000](#)
[980-8666-005](#) [11 SMA-50-2-6 / 111 NE](#) [11 SMA-50-3-6 / 111 NE](#) [11 SMA-50-2-6/111 NH](#) [1-201144-1](#) [120919](#) [R107003010W](#) [R112186000](#)
[R113053000W](#) [R113082097](#) [R113236000](#) [R114083000](#) [R114670000W](#) [R123415000W](#) [R124072220W](#) [R124076320](#) [R124076450](#)
[R124175123](#) [R124176123W](#) [R125075000W](#)