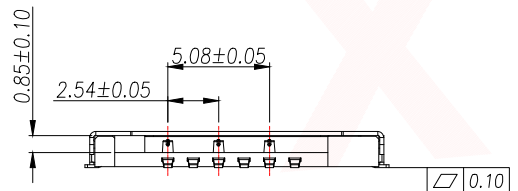
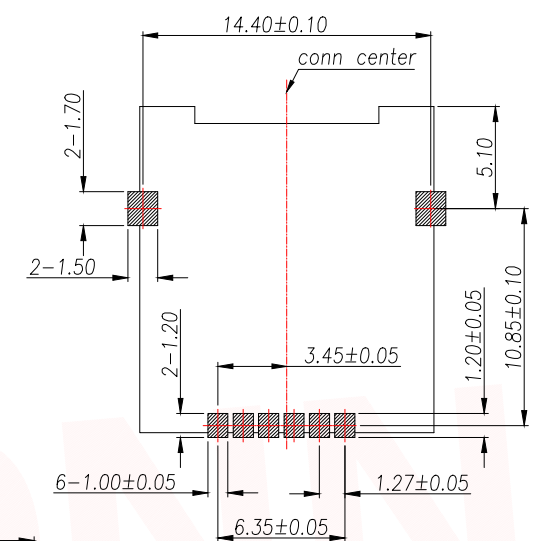
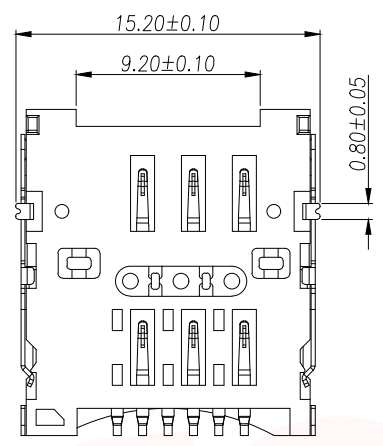
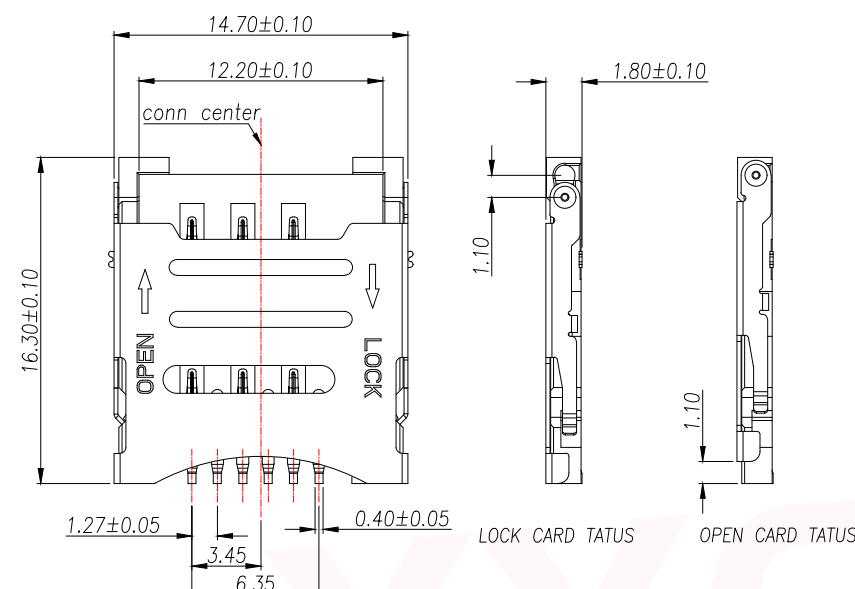
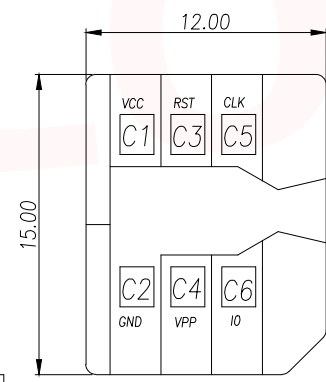


REV.	Q'TY	ECN. NO.	APR.	DATE



PIN NO.	NAME	PIN NO.	NAME
C1	VCC	C4	VPP
C2	GND	C5	CLK
C3	RST	C6	IO

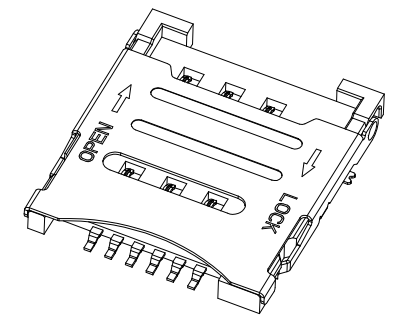


- NOTES:
- ELECTRICAL CHARACTERISTICS
 - 1-1. CONTACT RESISTANCE: 60 Milliohms Max
 - 1-2. INSULATION RESISTANCE: 1,000 Megohms Min.
 - 1-3. VOLTAGE RATING: 50V.
 - 1-4. CURRENT RATING: 1.0A.
 - MECHANICAL CHARACTERISTICS
 - 2-1. OPERATION TEMPERATURE RANGE: -20°C~+85°C
 - 2-2. DURABILITY: 5000 CYCLES
 - MATERIAL:
 - 3-1. HOUSING: THERMOPLASTIC,UL 94-V0
 - 3-2. TERMINAL: PHOSPHOR BRONZE,T=0.15mm
 - 3-3. SHELL: STAINLESS STEEL,T=0.20mm
 - FINISHED:
 - 4-1. TERMINAL: Ni PLATED UNDER, 3U" Au MIN PLATED ON CONTACT AREA,AU PLATED ON SOLDER TAIL
 - 4-2. SHELL: Ni PLATED UNDER,G/F PLATED ON SOLDER TAIL

PART INSTRUCTIONS:

PART NUMBER	DESCRIPTION
SIM201-FWB6AH1.5	H1.5
SIM201-FWB6AH1.8	H1.8

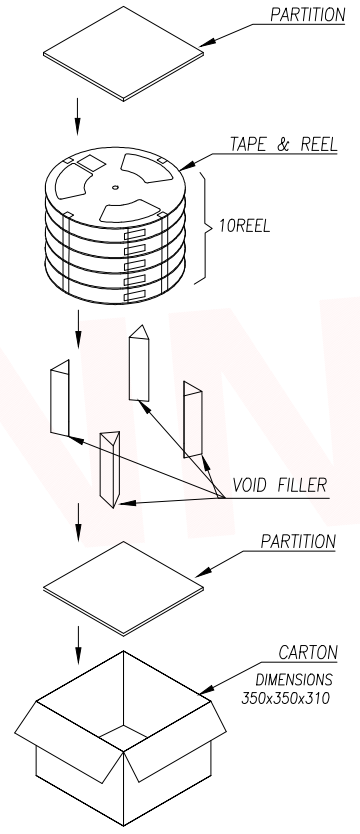
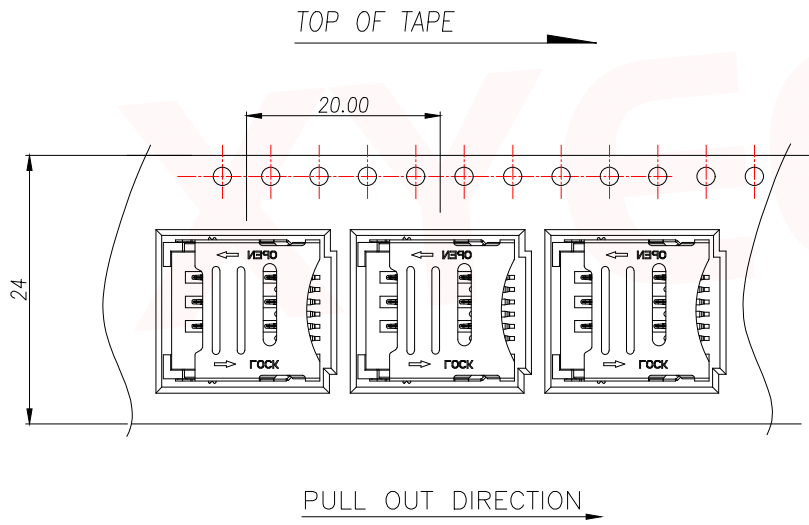
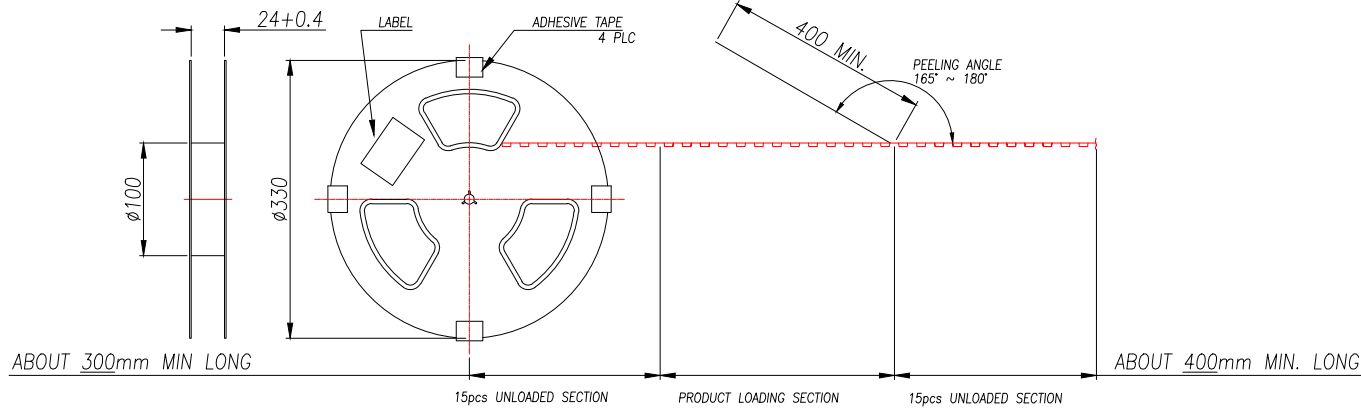
RECOMMENDED PCB LAYOUT TOP VIEW (TOLERANCE:±0.05)
 RECOMMENDED MATAL MASK T=0.12mm
 SMT SOLDER AREA
 NO PATTERN AND VIA HOLE IN HTIS AREA



DIMENSION IN mm		TOLERANCE UNLESS OTHERWISE SPECIFIED		APR. Alex		TITLE: 1.8H 6PIN HINGE MICRO SIM CARD CONNECTOR	
.X±0.35	X.*± 5'	CHK. Jack		DWG NO. SIM201-FWB6AH1.8			
.XX±0.25	.X'± 3'	DRA. Can		PROJ.		CUSTOMER DRAWING	
.XXX±0.15	.XX'± 1'			SIZE A4	SCALE 1:1	SHEET 1/2	REV. A


厦门市辛译精密电子有限公司
 Xiamen XinYi Xyecom Electronics Co.,Ltd

REV.	Q'TY	ECN. NO.	APR.	DATE



NOTES:

1. 15 SPROCKET HOLE PITCH CUMULATIVE TOLERANCE±0.2.
2. CARRIER CAMBER IS WITHIN 1 MM IN 250MM.
3. MATERIAL: CLARITY CONDUCTIVE POLYSTYRENE ALLOY
100% RECYCLABLE.
4. ALL DIMENSIONS MEET EIA-481-3 REQUIREMENTS.
5. THICKNESS: 0.30±0.05MM
6. COMPONENT LOAD PER 30.6m" REEL: 1500PCS.
7. 10REEL/CARTON: 15000PCS

DIMENSION IN mm		厦门市辛译精密电子有限公司 Xiamen XinYi Xyeconn Electronics Co.,Ltd			
TOLERANCE UNLESS OTHERWISE SPECIFIED		TITLE: 1.8H 6PIN HINGE MICRO SIM CARD CONNECTOR			
.X±0.35	X.*± 5°	APR.	Alex	DWG NO. SIM201-FWB6AH1.8	
.XX±0.25	.X*± 3°	CHK.	Jack	PROJ.  CUSTOMER DRAWING	
.XXX±0.15	.XX*± 1°	DRA.	Can	SIZE A4	SCALE 1:1
				SHEET 2/2	REV. A

X-ON Electronics

Largest Supplier of Electrical and Electronic Components

Click to view similar products for [Memory Card Connectors](#) category:

Click to view products by [XYECONN](#) manufacturer:

Other Similar products are found below :

[6407-249V-25273P](#) [6407-249V-25343P](#) [6426-201-21343](#) [69.920.0553.0](#) [MCR60A-98D-2.54DSA\(70\)](#) [809180410000000](#) [DM3AT-SF-PEJM5\(41\)](#) [IC11S-BUR-PNEJL\(71\)](#) [C70210M0083692](#) [2041353-2](#) [308-DS1P0811-192](#) [HM2P09PDR360N9LF](#) [10014744-011TLF](#) [11327-001](#) [11327-002](#) [NX1-32T-KT3K\(05\)](#) [95622-003LF](#) [84648-056HLF](#) [CCM03-3109 B LFT](#) [MS3116J10-6PW](#) [2309923-1](#) [61126-050CAHLF](#) [GTFP08432B1HR](#) [G85D1160022HHR](#) [SCE2MSDZN76A121SN](#) [10014744-011ALF](#) [10014744-011LF](#) [10057542-1211FLF](#) [10067972-000LF](#) [10067972-050LF](#) [10122302-20110LF](#) [G85D1162022HHR](#) [TF-05A](#) [M6014-12](#) [XKNANO-1412](#) [SMN-304-ARP6](#) [MIS11-S1F1-2000-A](#) [SMN-308-ARSP7](#) [MCS-302S-KT1B](#) [SMN-308-ACSP7](#) [K-DYX-008](#) [K-DYX-004](#) [C7024-03](#) [SMO-1030](#) [MCS-110-KT](#) [SIM-217](#) [SNO-1355-KT](#) [SMO-1025-P10](#) [SIM-211S-P6](#) [SNO-1440](#)