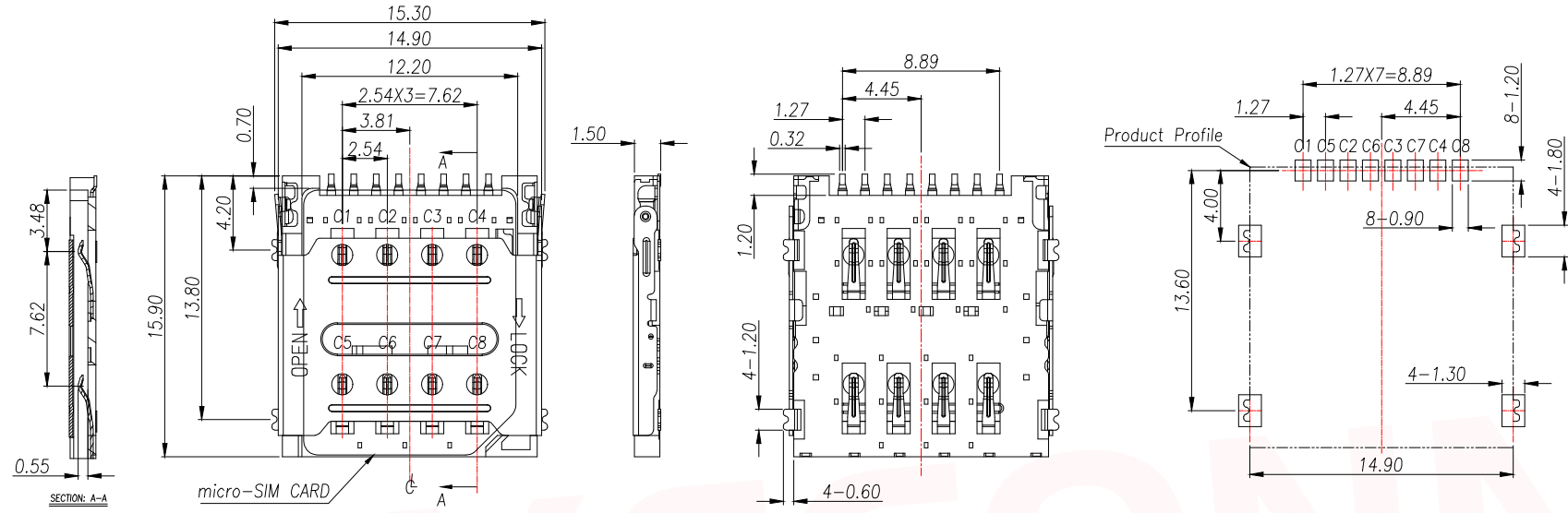


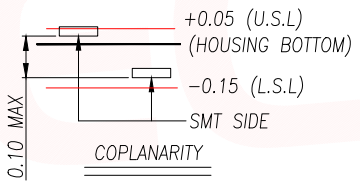
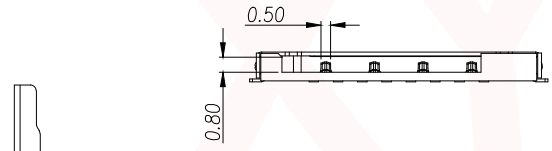
REV.	Q'TY	ECN. NO.	APR.	DATE



SECTION: A-A

micro-SIM CARD

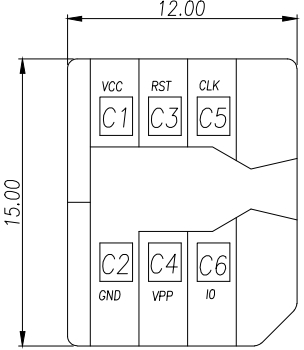
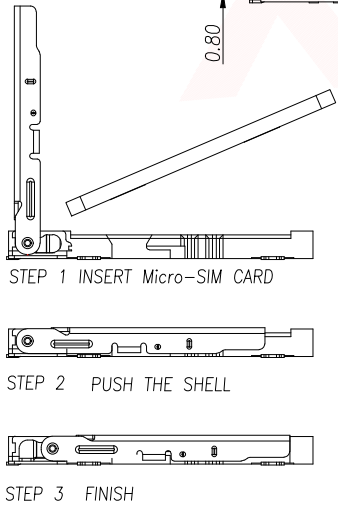
RECOMMENDED PCB LAYOUT TOP VIEW (TOLERANCE:±0.05)  
 RECOMMENDED METAL MASK T=0.12mm



NOTES:

- ELECTRICAL CHARACTERISTICS
  - 1-1. CONTACT RESISTANCE: 60 Milliohms Max
  - 1-2. INSULATION RESISTANCE: 1,000 Megohms Min.
  - 1-3. DIELECTRIC WITHSTANDING VOLTAGE: 500V AC FOR 1 MINUTE.
- MECHANICAL CHARACTERISTICS
  - 2-1. OPERATION TEMPERATURE RANGE: -25°C~+70°C
  - 2-2. DURABILITY: 5000 CYCLES
- MATERIAL:
  - 3-1. HOUSING: THERMOPLASTIC,UL 94-V0
  - 3-2. TERMINAL: PHOSPHOR BRONZE,T=0.15
  - 3-3. SHELL: STAINLESS STEEL,T=0.15
- FINISHED:
  - 4-1. TERMINAL: Ni PLATED UNDER,Au PLATED ON CONTACT AREA,G/F PLATED ON SOLDER TAIL
  - 4-2. SHELL: Ni PLATED UNDER,G/F PLATED ON SOLDER TAIL

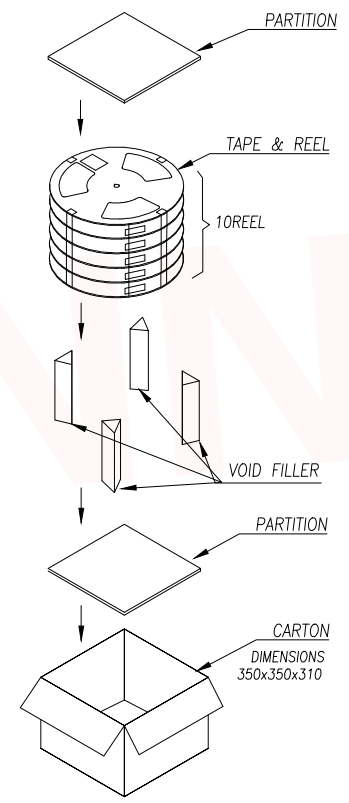
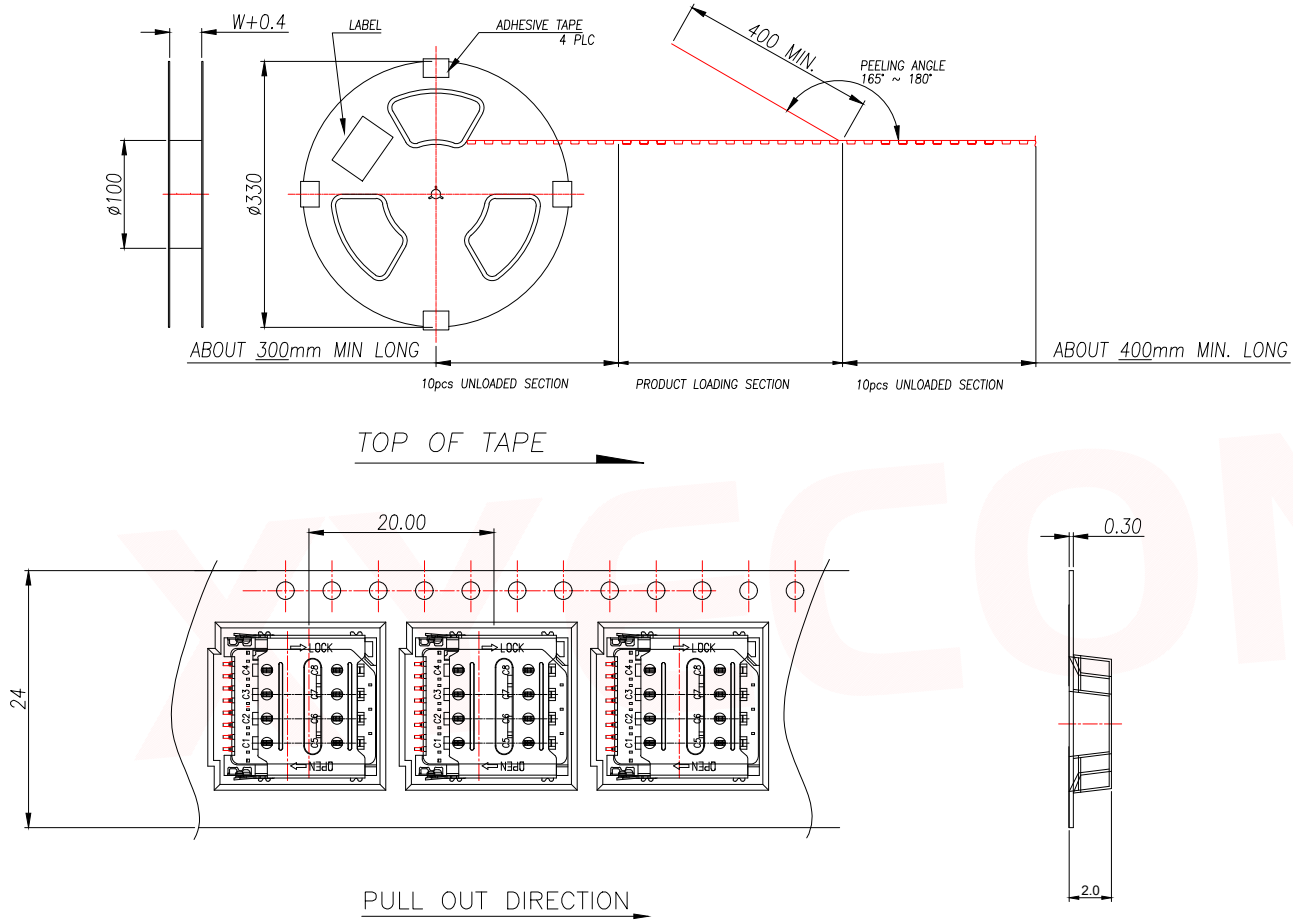
SIM CARD	
Pin No.	NAME
C1	VCC
C2	RST
C3	CLK
C4	RESERVED
C5	GND
C6	VPP
C7	I/O
C8	RESERVED



MICRO SIM

DIMENSION IN mm		厦门市辛译精密电子有限公司 Xiamen XinYi Xyconn Electronics Co.,Ltd			
TOLERANCE UNLESS OTHERWISE SPECIFIED		TITLE: 1.5H 8PIN HINGE MICRO SIM CARD CONNECTOR			
.X±0.35	X.*± 5°	APR.	Alex	DWG NO. SIM203-FYB8AH1.5	
.XX±0.25	.X.*± 3°	CHK.	Jack	PROJ.  CUSTOMER DRAWING	
.XXX±0.15	.XX.*± 1°	DRA.	Can	SIZE A4	SCALE 1:1
				SHEET 1/2	REV. A

REV.	Q'TY	ECN. NO.	APR.	DATE



- NOTES:
1. 10 SPROCKET HOLE PITCH CUMULATIVE TOLERANCE  $\pm 0.2$ .
  2. CARRIER CAMBER IS WITHIN 1 MM IN 250MM.
  3. MATERIAL: CLARITY CONDUCTIVE POLYSTYRENE ALLOY 100% RECYCLABLE.
  4. ALL DIMENSIONS MEET EIA-481-3 REQUIREMENTS.
  5. THICKNESS:  $0.30 \pm 0.05$ MM
  6. COMPONENT LOAD PER 13" REEL: 1000PCS.
  7. 10REEL/CARTON: 10000PCS

DIMENSION IN mm		厦门市辛译精密电子有限公司 Xiamen XinYi Xyconn Electronics Co.,Ltd			
TOLERANCE UNLESS OTHERWISE SPECIFIED		TITLE: 1.5H 8PIN HINGE MICRO SIM CARD CONNECTOR			
.X $\pm$ 0.35	X.* $\pm$ 5'	APR.	Alex	DWG NO. SIM203-FYB8AH1.5	
.XX $\pm$ 0.25	.X* $\pm$ 3'	CHK.	Jack	PROJ.  CUSTOMER DRAWING	
.XXX $\pm$ 0.15	.XX* $\pm$ 1'	DRA.	Can	SIZE A4	SCALE 1:1
				SHEET 2/2	REV. A

## X-ON Electronics

Largest Supplier of Electrical and Electronic Components

*Click to view similar products for [Memory Card Connectors](#) category:*

*Click to view products by [XYECONN](#) manufacturer:*

Other Similar products are found below :

[6407-249V-25273P](#) [6407-249V-25343P](#) [6426-201-21343](#) [69.920.0553.0](#) [MCR60A-98D-2.54DSA\(70\)](#) [809180410000000](#) [DM3AT-SF-PEJM5\(41\)](#) [IC11S-BUR-PNEJL\(71\)](#) [C70210M0083692](#) [2041353-2](#) [308-DS1P0811-192](#) [HM2P09PDR360N9LF](#) [10014744-011TLF](#) [11327-001](#) [11327-002](#) [NX1-32T-KT3K\(05\)](#) [95622-003LF](#) [84648-056HLF](#) [CCM03-3109 B LFT](#) [MS3116J10-6PW](#) [2309923-1](#) [61126-050CAHLF](#) [GTFP08432B1HR](#) [G85D1160022HHR](#) [SCE2MSDZN76A121SN](#) [10014744-011ALF](#) [10014744-011LF](#) [10057542-1211FLF](#) [10067972-000LF](#) [10067972-050LF](#) [10122302-20110LF](#) [G85D1162022HHR](#) [TF-05A](#) [M6014-12](#) [XKNANO-1412](#) [SMN-304-ARP6](#) [MIS11-S1F1-2000-A](#) [SMN-308-ARSP7](#) [MCS-302S-KT1B](#) [SMN-308-ACSP7](#) [K-DYX-008](#) [K-DYX-004](#) [C7024-03](#) [SMO-1030](#) [MCS-110-KT](#) [SIM-217](#) [SNO-1355-KT](#) [SMO-1025-P10](#) [SIM-211S-P6](#) [SNO-1440](#)