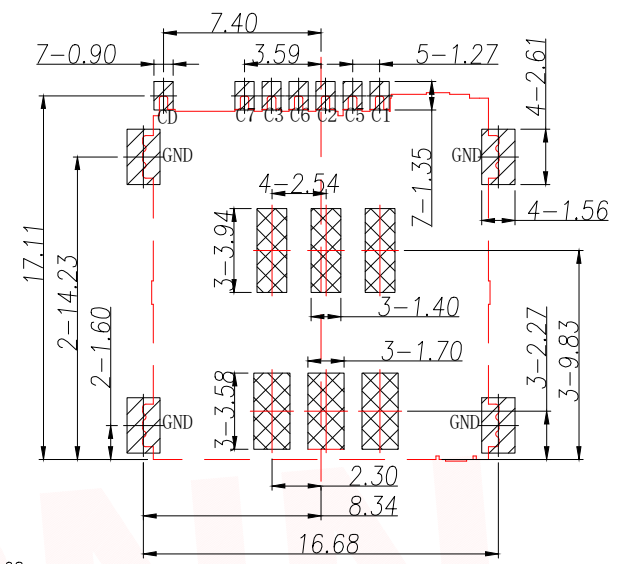
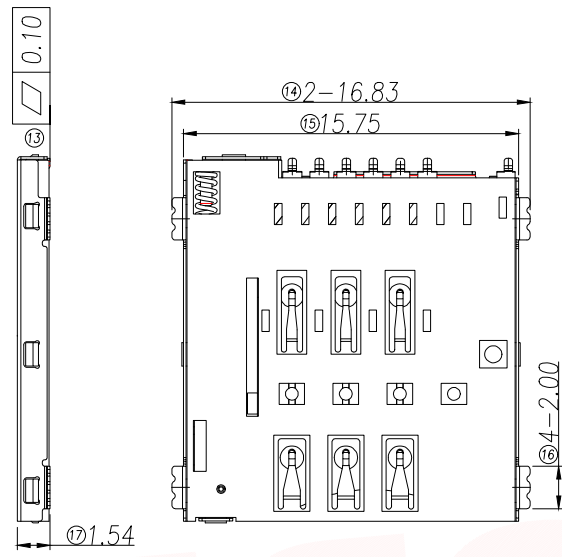
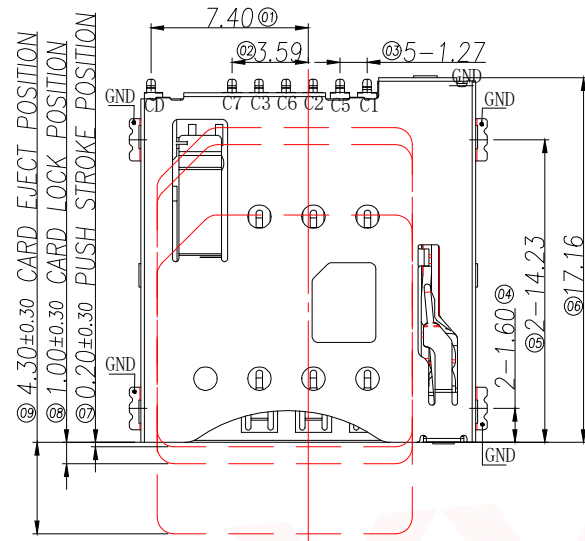


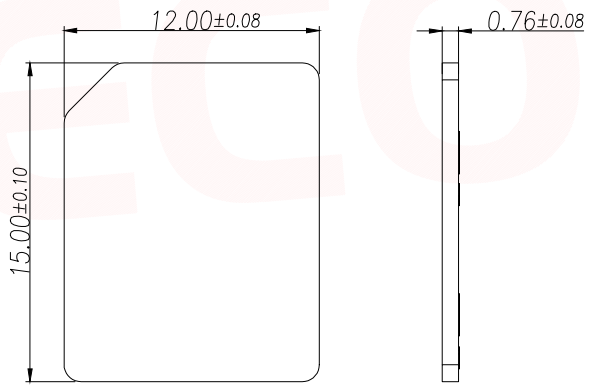
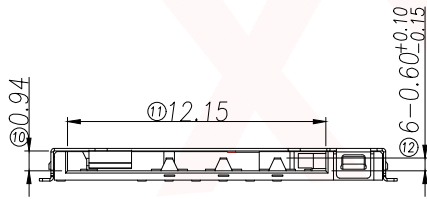
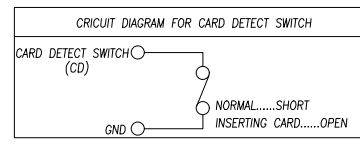
REV.	Q'TY	ECN. NO.	APR.	DATE



RECOMMENDED PCB LAYOUT

TOLERANCE: ±0.05

- SMT SOLDER AREA
- COPPER RESTRICTED AREA
- 1. TOUCH AREA OF CONTACT TIPS NO ELECTRICAL FUNCTION
- 2. NO FIRST PCB_LAYOUT CIRCUITS IN THE AREA



Notes:

- Material:
 - Housing: High Temperature Thermoplastic
 - Terminal: Copper Alloy
 - Shell: Stainless Steel
- Plating:
 - Terminal: 50u" Ni Underplated Overall
 - G/F Plated On Contact Area
 - G/F Plated On Solder Area
 - Shell: 30u" Ni Underplated Overall
 - G/F Plated On Contact Area And older Area
- Technical Speciality:
 - Rated Voltage: 30V
 - Current Rating: 0.5A
 - Insulation Resistance: 1000MΩ Min.
 - Contact Resistance: 100mΩ Max.
 - Withstanding Voltage: 500V DC FOR 1 Minutes.
 - Operating Temperature: -20℃~+85℃ Humidity 80% R.H Max.

PIN/NO	ASSIGNMENT
C1	VCC
C2	RST
C3	CLK
CD	Detect Switch
C5	GND
C6	VPP
C7	I/O

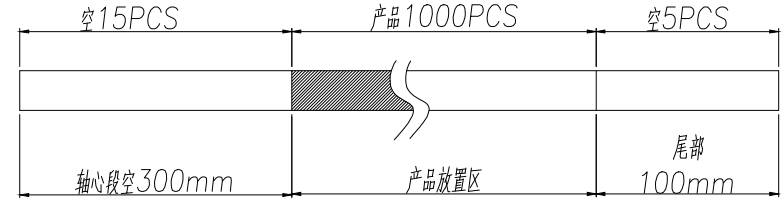
DIMENSION IN mm		TOLERANCE UNLESS OTHERWISE SPECIFIED		APR. Alex		TITLE: 1.5H 6+1PIN PUSH PUSH MICRO SIM CARD CONNECTOR	
.X±0.35	X.*± 5'	.XX±0.25	.X.*± 3'	CHK. Jack	DWG NO. SIM204-ZYB7AH1.5		
.XXX±0.15	.XX.*± 1'	DRA. Can	PROJ.		CUSTOMER DRAWING		
SIZE A4		SCALE 1:1		SHEET 1/2		REV. A	

厦门市辛译精密电子有限公司
Xiamen XinYi Xyecom Electronics Co.,Ltd

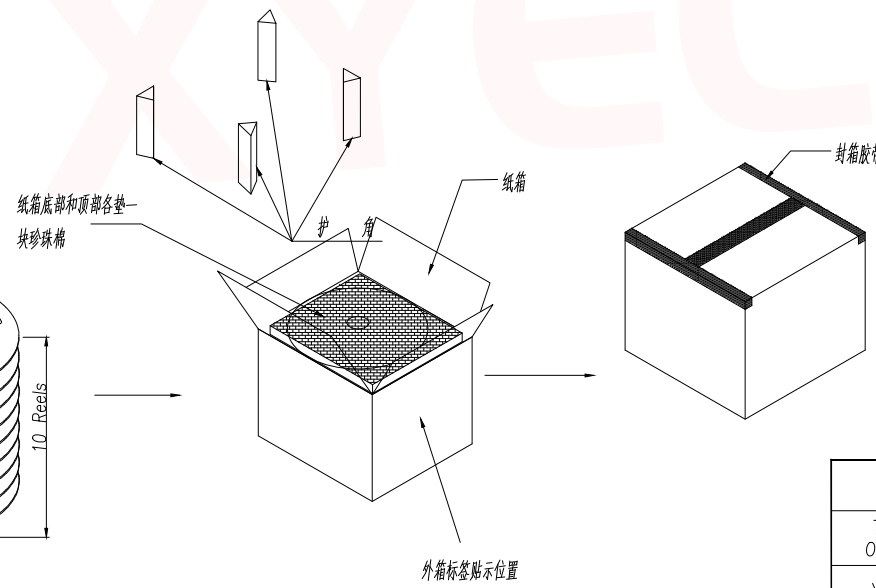
REV.	Q'TY	ECN. NO.	APR.	DATE

NOTES

- 1.每卷包装数量:1000PCS/每卷
- 2.卷带包装方式:



- 3.每箱包装数量:10000PCS/箱
- 4.纸箱350mm*350mm*440mm(内部尺寸),材质K=K



将10卷产品放入箱内

DIMENSION IN mm		厦门市辛译精密电子有限公司 Xiamen XinYi Xyeconn Electronics Co.,Ltd		
TOLERANCE UNLESS OTHERWISE SPECIFIED				
.X±0.35	X.*±5°	APR. Alex	TITLE: 1.5H 6+1PIN PUSH PUSH MICRO SIM CARD CONNECTOR	
.XX±0.25	.X.*±3°	CHK. Jack	DWG NO. SIM204-ZYB7AH1.5	
.XXX±0.15	.XX.*±1°	DRA. Can	CUSTOMER DRAWING	
SIZE A4	SCALE 1:1	SHEET 2/2	REV. A	

X-ON Electronics

Largest Supplier of Electrical and Electronic Components

Click to view similar products for [Memory Card Connectors](#) category:

Click to view products by [XYECONN](#) manufacturer:

Other Similar products are found below :

[6407-249V-25273P](#) [6407-249V-25343P](#) [6426-201-21343](#) [69.920.0553.0](#) [MCR60A-98D-2.54DSA\(70\)](#) [809180410000000](#) [DM3AT-SF-PEJM5\(41\)](#) [IC11S-BUR-PNEJL\(71\)](#) [C70210M0083692](#) [2041353-2](#) [308-DS1P0811-192](#) [HM2P09PDR360N9LF](#) [10014744-011TLF](#) [11327-001](#) [11327-002](#) [NX1-32T-KT3K\(05\)](#) [95622-003LF](#) [84648-056HLF](#) [CCM03-3109 B LFT](#) [MS3116J10-6PW](#) [2309923-1](#) [61126-050CAHLF](#) [GTFP08432B1HR](#) [G85D1160022HHR](#) [SCE2MSDB76A121SN](#) [SCE2MSDZN76A121SN](#) [10014744-011ALF](#) [10014744-011LF](#) [10057542-1211FLF](#) [10067972-000LF](#) [10067972-050LF](#) [10122302-20110LF](#) [G85D1162022HHR](#) [TF-05A](#) [XKNANO-1412](#) [SMN-304-ARP6](#) [MIS11-S1F1-2000-A](#) [SMN-308-ARSP7](#) [MCS-302S-KT1B](#) [SMN-308-ACSP7](#) [K-DYX-008](#) [K-DYX-004](#) [HYCW126-TF18-150B](#) [C7024-03](#) [SMO-1030](#) [MCS-110-KT](#) [SIM-217](#) [SNO-1355-KT](#) [SMO-1025-P10](#) [SIM-211S-P6](#)