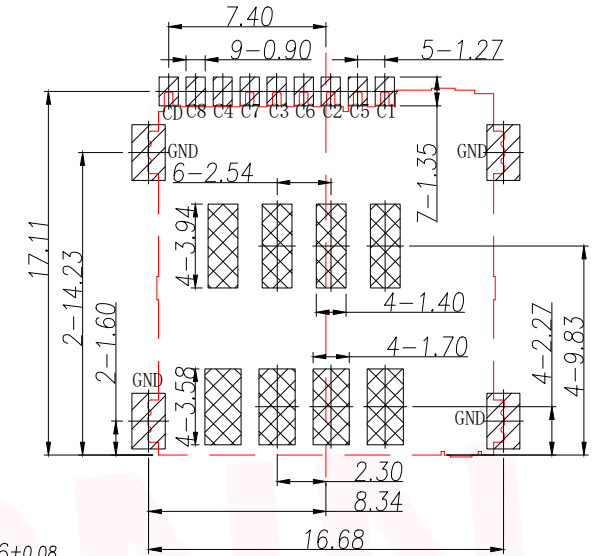
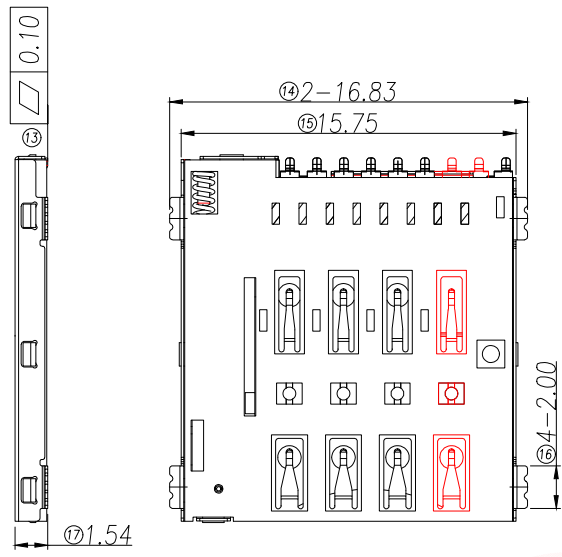
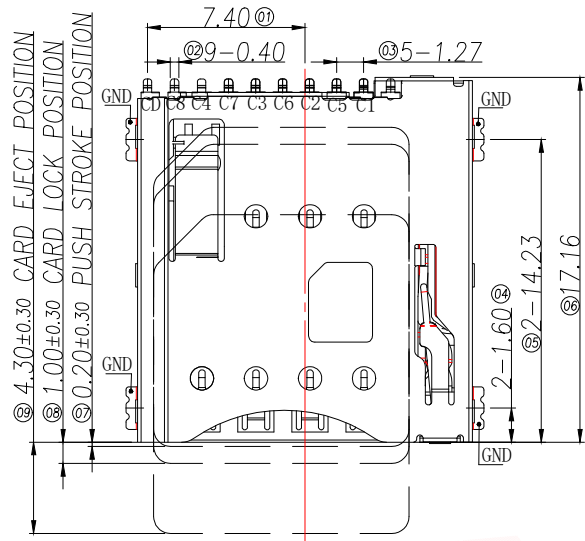
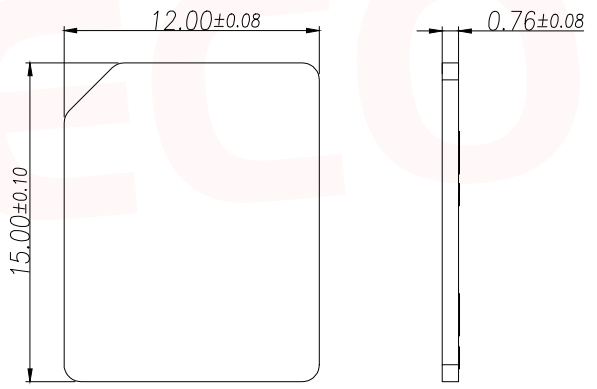
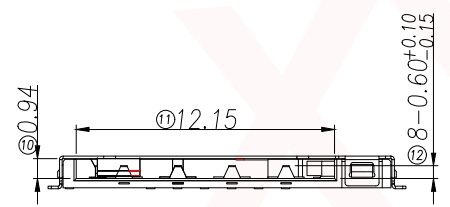
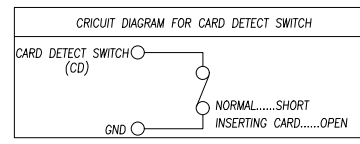


| | | | | |
|------|------|----------|------|------|
| REV. | Q'TY | ECN. NO. | APR. | DATE |
| | | | | |



RECOMMENDED PCB LAYOUT
 TOLERANCE: ±0.05

SMT SOLDER AREA
 COPPER RESTRICTED AREA
 1. TOUCH AREA OF CONTACT TIPS NO ELECTRICAL FUNCTION
 2. NO FIRST PCB_LAYOUT CIRCUITS IN THE AREA



Notes:

- Material:
 - Housing: High Temperature Thermoplastic
 - Terminal: Copper Alloy
 - Shell: Stainless Steel
- Plating:
 - Terminal: 50u" Ni Underplated Overall
 - G/F Plated On Contact Area
 - G/F Plated On Solder Area
 - Shell: 30u" Ni Underplated Overall
 - G/F Plated On Contact Area And older Area
- Technical Speciality:
 - Rated Voltage: 30V
 - Current Rating: 0.5A
 - Insulation Resistance: 1000MΩ Min.
 - Contact Resistance: 100mΩ Max.
 - Withstanding Voltage: 500V DC FOR 1 Minutes.
 - Operating Temperature: -20℃~+85℃ Humidity 80% R.H Max.

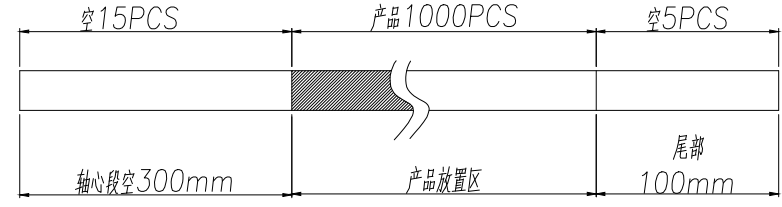
| PIN/NO | ASSIGNMENT |
|--------|---------------|
| C1 | VCC |
| C2 | RST |
| C3 | CLK |
| CD | Detect Switch |
| C5 | GND |
| C6 | VPP |
| C7 | I/O |

| DIMENSION IN mm | | TOLERANCE UNLESS OTHERWISE SPECIFIED | | APR. Alex | | TITLE: 1.5H 8+1PIN PUSH PUSH MICRO SIM CARD CONNECTOR | |
|-----------------|-----------|--------------------------------------|------|--------------------------|-----|---|-----|
| .X±0.35 | X.*± 5° | CHK. | Jack | DWG NO. SIM204-ZYB9AH1.5 | | | |
| .XX±0.25 | .X.*± 3° | DRA. | Can | PROJ. | | CUSTOMER DRAWING | |
| .XXX±0.15 | .XX.*± 1° | SIZE | A4 | SCALE | 1:1 | SHEET | 1/2 |
| | | | | REV. | A | | |

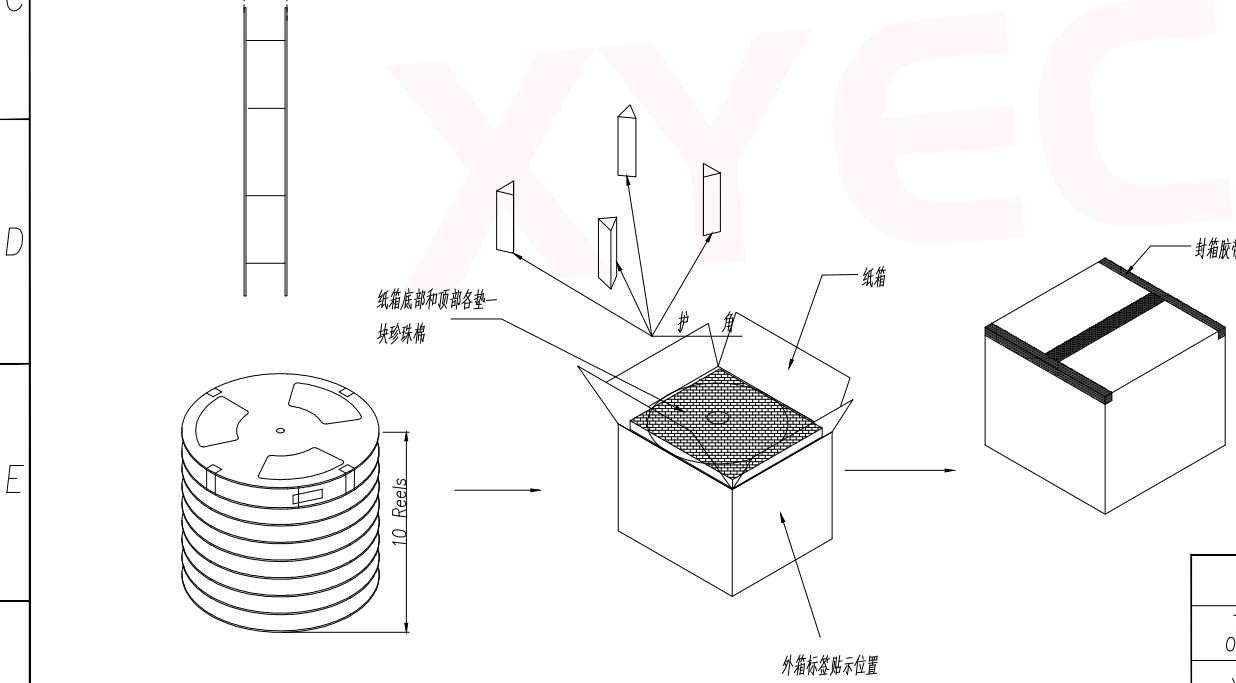
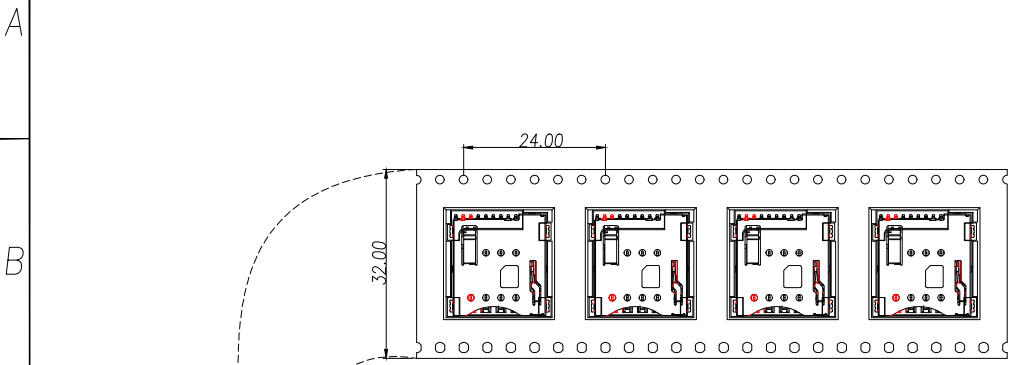
| | | | | |
|------|------|----------|------|------|
| REV. | Q'TY | ECN. NO. | APR. | DATE |
| | | | | |

NOTES

- 1.每卷包装数量:1000PCS/每卷
- 2.卷带包装方式:



- 3.每箱包装数量:10000PCS/箱
- 4.纸箱350mm*350mm*440mm(内部尺寸),材质K=K



将10卷产品放入箱内

| | | | | |
|--------------------------------------|----------|--|------|---|
| DIMENSION IN mm | | 厦门市辛译精密电子有限公司 Xiamen XinYi Xyconn Electronics Co.,Ltd | | |
| TOLERANCE UNLESS OTHERWISE SPECIFIED | | | | |
| .X±0.35 | X.*±5° | APR. | Alex | TITLE: 1.5H 8+1PIN PUSH PUSH MICRO SIM CARD CONNECTOR |
| .XX±0.25 | .X.*±3° | CHK. | Jack | DWG NO. SIM204-ZYB9AH1.5 |
| .XXX±0.15 | .XX.*±1° | DRA. | Can | PROJ. CUSTOMER DRAWING |
| | | SIZE | A4 | SCALE 1:1 |
| | | SHEET | 2/2 | REV. A |

X-ON Electronics

Largest Supplier of Electrical and Electronic Components

Click to view similar products for [Memory Card Connectors](#) category:

Click to view products by [XYECONN](#) manufacturer:

Other Similar products are found below :

[6407-249V-25273P](#) [6407-249V-25343P](#) [6426-201-21343](#) [69.920.0553.0](#) [MCR60A-98D-2.54DSA\(70\)](#) [809180410000000](#) [DM3AT-SF-PEJM5\(41\)](#) [IC11S-BUR-PNEJL\(71\)](#) [C70210M0083692](#) [2041353-2](#) [308-DS1P0811-192](#) [HM2P09PDR360N9LF](#) [10014744-011TLF](#) [11327-001](#) [11327-002](#) [NX1-32T-KT3K\(05\)](#) [95622-003LF](#) [84648-056HLF](#) [CCM03-3109 B LFT](#) [MS3116J10-6PW](#) [2309923-1](#) [61126-050CAHLF](#) [GTFP08432B1HR](#) [G85D1160022HHR](#) [SCE2MSDZN76A121SN](#) [10014744-011ALF](#) [10014744-011LF](#) [10057542-1211FLF](#) [10067972-000LF](#) [10067972-050LF](#) [10122302-20110LF](#) [G85D1162022HHR](#) [TF-05A](#) [M6014-12](#) [XKNANO-1412](#) [SMN-304-ARP6](#) [MIS11-S1F1-2000-A](#) [SMN-308-ARSP7](#) [MCS-302S-KT1B](#) [SMN-308-ACSP7](#) [K-DYX-008](#) [K-DYX-004](#) [C7024-03](#) [SMO-1030](#) [MCS-110-KT](#) [SIM-217](#) [SNO-1355-KT](#) [SMO-1025-P10](#) [SIM-211S-P6](#) [SNO-1440](#)