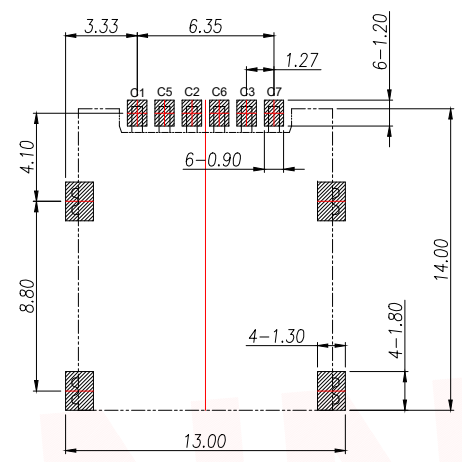
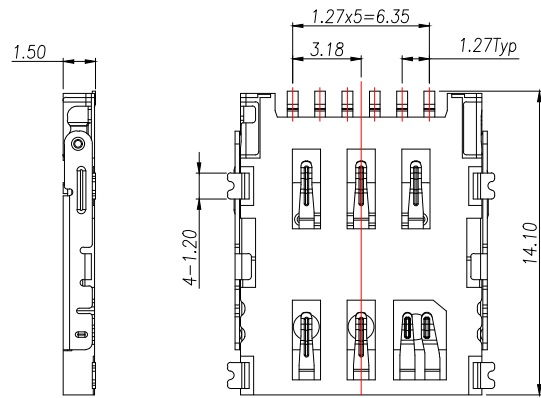
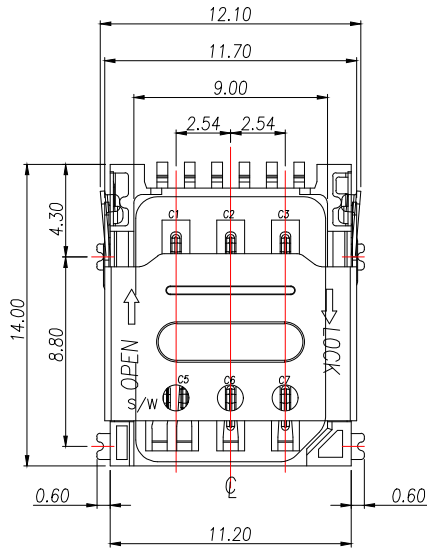
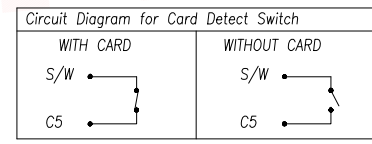


REV.	Q'TY	ECN. NO.	APR.	DATE



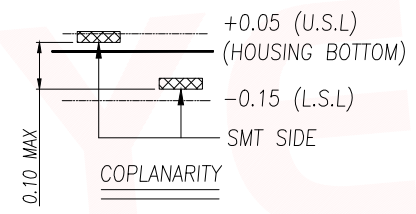
RECOMMENDED PCB LAYOUT TOP VIEW (TOLERANCE:±0.05)
RECOMMENDED METAL MASK T=0.12mm

- SMT SOLDER AREA
- NO PATTERN AND VIA HOLE IN HTS AREA

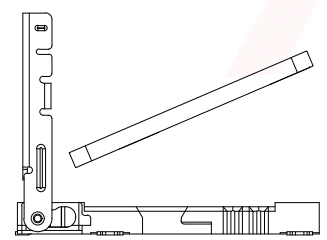


PART INSTRUCTIONS:

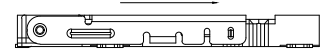
PART NUMBER	DESCRIPTION
305-FWB6AH1.5	6PIN
305-FYB7AH1.5	6+1PIN



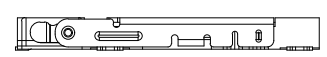
NANO SIM CARD	
Pin No.	NAME
C1	VCC
C2	RST
C3	CLK
C5	GND
C6	VPP
C7	I/O
S/W	Switch Pin



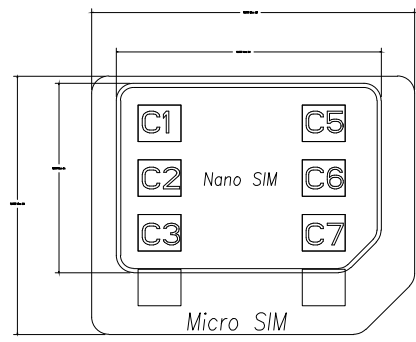
STEP 1 INSERT Micro-SIM CARD



STEP 2 PUSH THE SHELL



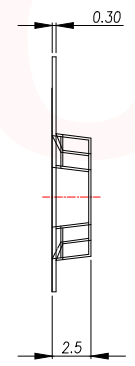
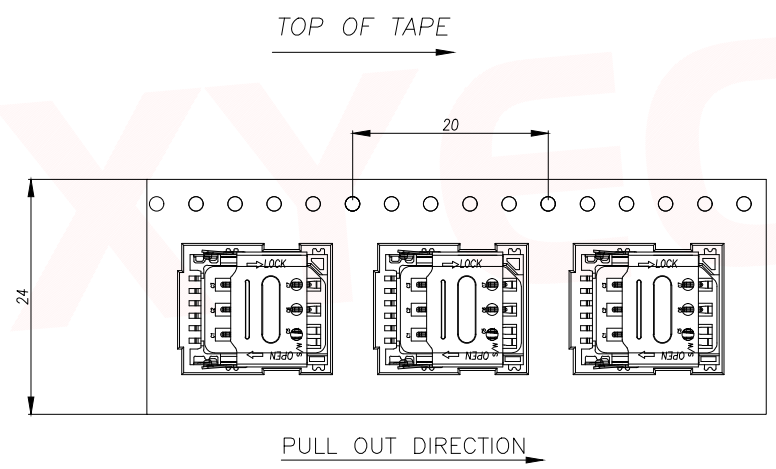
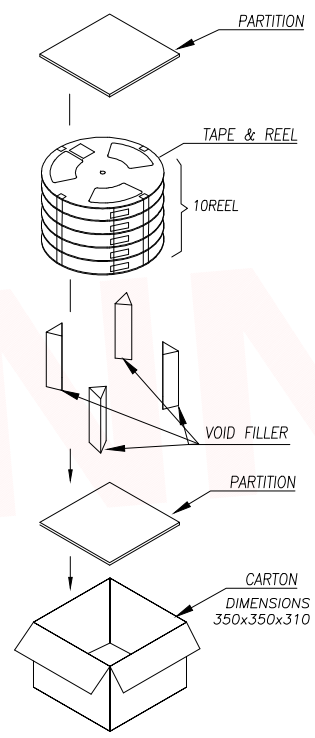
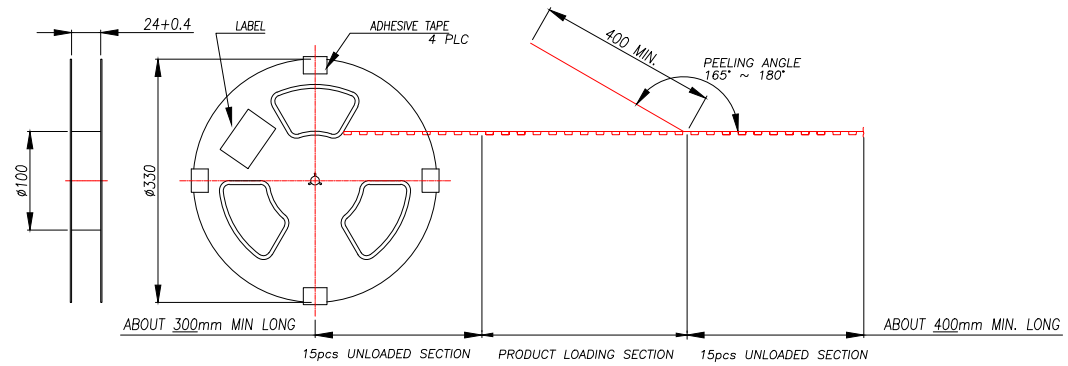
STEP 3 FINISH



DIMENSION IN mm	
TOLERANCE UNLESS OTHERWISE SPECIFIED	
.X±0.35	X.*± 5°
.XX±0.25	.X.*± 3°
.XXX±0.15	.XX.*± 1°

厦门市辛译精密电子有限公司
Xiamen XinYi Xyecom Electronics Co.,Ltd

APR. Alex	TITLE: 1.5H 6+1PIN HINGE NANO SIM CARD CONNECTOR
CHK. Jack	DWG NO. SIM301-FYB7AH1.5
DRA. Can	PROJ. CUSTOMER DRAWING
SIZE A4	SCALE 1:1 SHEET 1/2 REV. A



- NOTES:
- 15 SPROCKET HOLE PITCH CUMULATIVE TOLERANCE±0.2.
 - MATERIAL: CLARITY CONDUCTIVE POLYSTYRENE ALLOY
100% RECYCLABLE.
 - ALL DIMENSIONS MEET EIA-481-3 REQUIREMENTS.
 - THICKNESS: 0.30±0.05MM
 - COMPONENT LOAD PER 30.6M" REEL: 1500PCS.
 - 10REEL/CARTON: 15000pcs

DIMENSION IN mm		厦门市辛译精密电子有限公司 Xiamen XinYi Xyconn Electronics Co.,Ltd			
TOLERANCE UNLESS OTHERWISE SPECIFIED		TITLE: 1.5H 6+1PIN HINGE NANO SIM CARD CONNECTOR			
.X±0.35	X.*± 5*	APR.	Alex	DWG NO. SIM301-FYB7AH1.5	
.XX±0.25	.X*± 3*	CHK.	Jack	PROJ. CUSTOMER DRAWING	
.XXX±0.15	.XX*± 1*	DRA.	Can	SIZE A4	SCALE 1:1
				SHEET 2/2	REV. A

X-ON Electronics

Largest Supplier of Electrical and Electronic Components

Click to view similar products for [Memory Card Connectors](#) category:

Click to view products by [XYECONN](#) manufacturer:

Other Similar products are found below :

[6407-249V-25273P](#) [6407-249V-25343P](#) [6426-201-21343](#) [69.920.0553.0](#) [MCR60A-98D-2.54DSA\(70\)](#) [809180410000000](#) [DM3AT-SF-PEJM5\(41\)](#) [IC11S-BUR-PNEJL\(71\)](#) [C70210M0083692](#) [2041353-2](#) [308-DS1P0811-192](#) [HM2P09PDR360N9LF](#) [10014744-011TLF](#) [11327-001](#) [11327-002](#) [NX1-32T-KT3K\(05\)](#) [95622-003LF](#) [84648-056HLF](#) [CCM03-3109 B LFT](#) [MS3116J10-6PW](#) [2309923-1](#) [61126-050CAHLF](#) [GTFP08432B1HR](#) [G85D1160022HHR](#) [SCE2MSDB76A121SN](#) [SCE2MSDZN76A121SN](#) [10014744-011ALF](#) [10014744-011LF](#) [10057542-1211FLF](#) [10067972-000LF](#) [10067972-050LF](#) [10122302-20110LF](#) [G85D1162022HHR](#) [TF-05A](#) [XKNANO-1412](#) [SMN-304-ARP6](#) [MIS11-S1F1-2000-A](#) [SMN-308-ARSP7](#) [MCS-302S-KT1B](#) [SMN-308-ACSP7](#) [K-DYX-008](#) [K-DYX-004](#) [HYCW126-TF18-150B](#) [C7024-03](#) [SMO-1030](#) [MCS-110-KT](#) [SIM-217](#) [SNO-1355-KT](#) [SMO-1025-P10](#) [SIM-211S-P6](#)