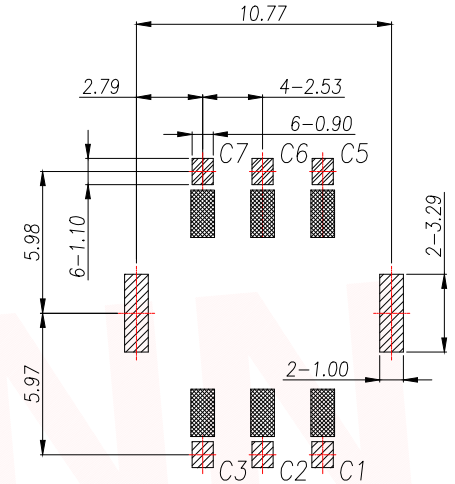
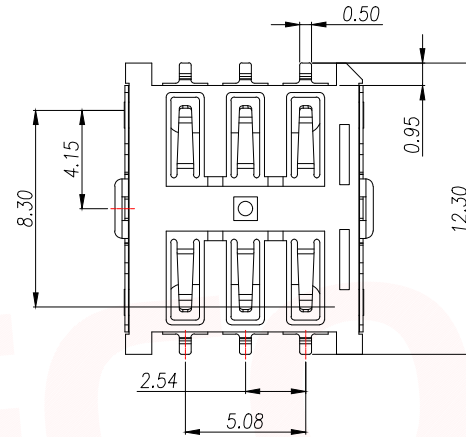
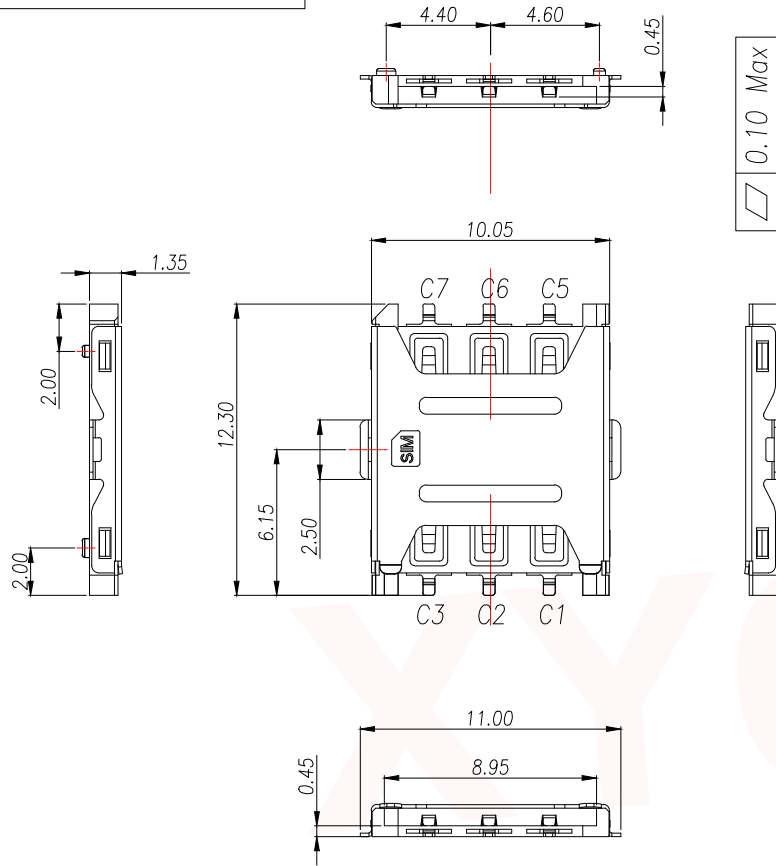


REV.	Q'TY	ECN. NO.	APR.	DATE



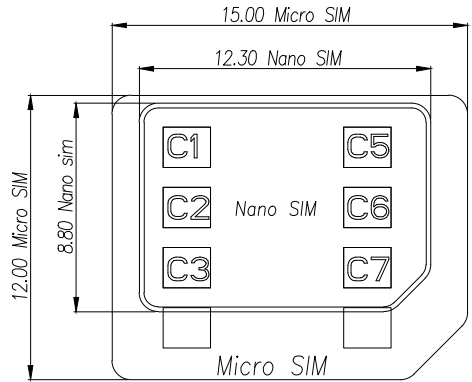
PIIN/NO	ASSIGNMENT
C1	VCC
C2	RST
C3	CLK
C5	GND
C6	VPP
C7	I/O

RECOMMENDED PCB LAYOUT TOP VIEW (TOLERANCE:±0.05)
 RECOMMENDED MATAL MASK T=0.12mm
 SMT SOLDER AREA
 NO PATTERN AND VIA HOLE IN HTIS AREA

PART INSTRUCTIONS:

PART NUMBER	DESCRIPTION
SIM302-CWD6AH1.35	WITH POST
SIM302-CWB6AH1.35	NO POST

- NOTES:
- MATERIAL:
 - Insulator: High Temperature Thermoplastic, UL94V-0; Color Black.
 - Terminal: Copper Alloy.
 - Shell: Stainless Steel.
 - PLATING:
 - Contact: Plated 50u" Ni Overall Contact Au 1u",
 - Shell: Plated 50u" Ni Overall, PAD Au 1u"
 - SPECIALITY:
 - Current Rating :0.5mA AC/DC max.
 - Voltage Rating :125V AC/DC
 - Ambient Temperature Range :-20°C~+60°C
 - Storage Temperature Range :-40°C~+70°C
 - Ambient Humidity Range :95% R.H. Max.
 - Contact Resistance:100mΩ max.
 - Insulation Resistance:1000MΩ min./500VDC
 - Mating Cycles:10,000 Insertions
 - Reflow peak temp.: 260°C ±5°C, 3~5 S
 - Mating Cycles:3,000 Insertions Min
4. PLEASE CONTACT LQ SALES REPRESENTATIVE TO VERIFY PRODUCTDETAILS & AVAILABILITY



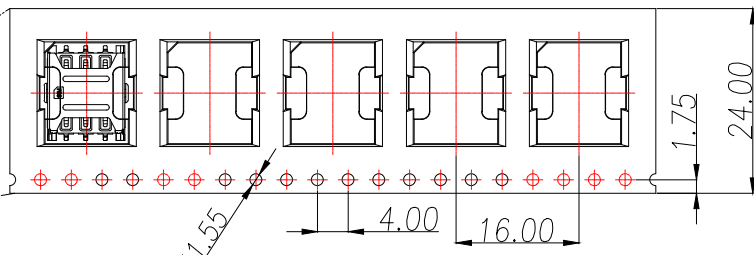
DIMENSION IN mm	
TOLERANCE UNLESS OTHERWISE SPECIFIED	
.X±0.35	X.*± 5°
.XX±0.25	.X*± 3°
.XXX±0.15	.XX*± 1°

厦门市辛译精密电子有限公司
 Xiamen XinYi Xyecom Electronics Co.,Ltd

APR.	Alex	TITLE:	1.35H 6PIN PUSH PULL NANO SIM CARD CONNECTOR
CHK.	Jack	DWG NO.	SIM302-CWB6AH1.35
DRA.	Can	PROJ.	CUSTOMER DRAWING
SIZE	A4	SCALE	1:1
SHEET	1/2	REV.	A

REV.	Q'TY	ECN. NO.	APR.	DATE

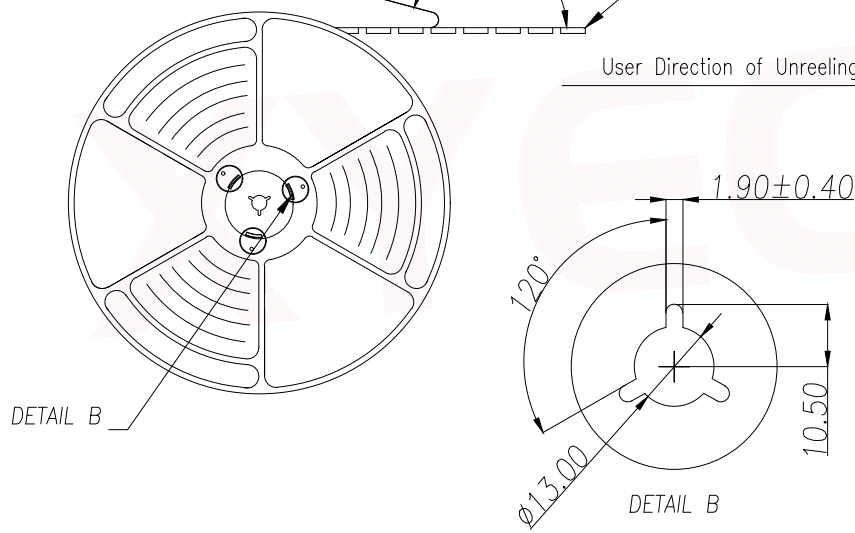
User Direction of Unreeling →



COVER TAPE PEELING ANGLE: 165°~180°
PEELING FORCE: 20~130g

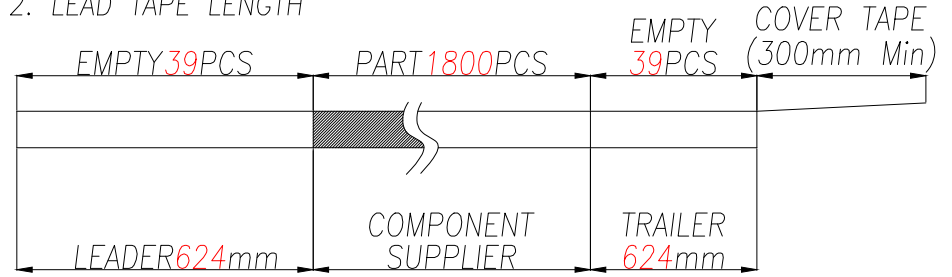
CARRIER TAPE

User Direction of Unreeling →



NOTES

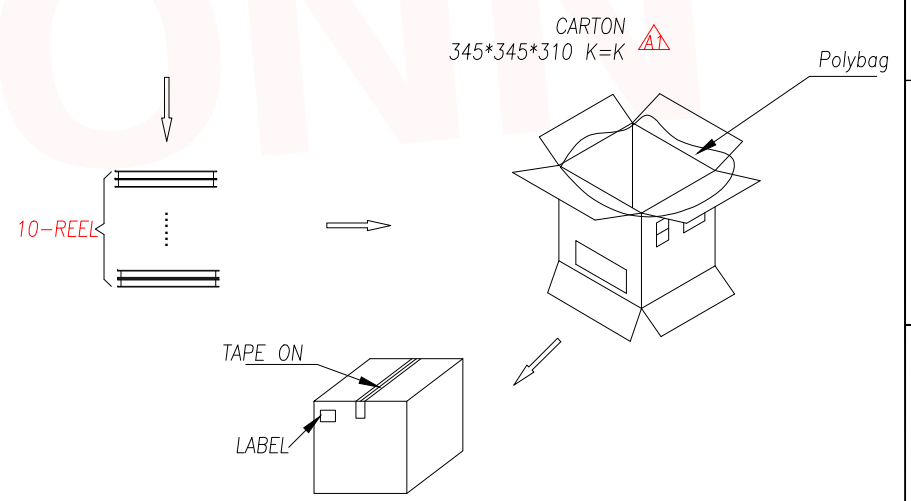
1. NUMBER OF CONNECTORS: 1800PCS/REEL
2. LEAD TAPE LENGTH



3. QUANTITY: 18000PCS/CARTON

4. WEIGHT :

3.1 NET WEIGHT : Kg
3.2 GROSS WEIGHT : Kg



DIMENSION IN mm		厦门市辛译精密电子有限公司 Xiamen XinYi Xyconn Electronics Co.,Ltd		
TOLERANCE UNLESS OTHERWISE SPECIFIED		TITLE: 1.35H 6PIN PUSH PULL NANO SIM CARD CONNECTOR		
.X±0.35	X.*± 5°	APR.	Alex	DWG NO. SIM302-CWB6AH1.35
.XX±0.25	.X.*± 3°	CHK.	Jack	PROJ. CUSTOMER DRAWING
.XXX±0.15	.XX.*± 1°	DRA.	Can	SIZE A4 SCALE 1:1 SHEET 2/2 REV. A

X-ON Electronics

Largest Supplier of Electrical and Electronic Components

Click to view similar products for [Memory Card Connectors](#) category:

Click to view products by [XYECONN](#) manufacturer:

Other Similar products are found below :

[6407-249V-25273P](#) [6407-249V-25343P](#) [6426-201-21343](#) [69.920.0553.0](#) [MCR60A-98D-2.54DSA\(70\)](#) [809180410000000](#) [DM3AT-SF-PEJM5\(41\)](#) [IC11S-BUR-PNEJL\(71\)](#) [C70210M0083692](#) [2041353-2](#) [308-DS1P0811-192](#) [HM2P09PDR360N9LF](#) [10014744-011TLF](#) [11327-001](#) [11327-002](#) [NX1-32T-KT3K\(05\)](#) [95622-003LF](#) [84648-056HLF](#) [CCM03-3109 B LFT](#) [MS3116J10-6PW](#) [2309923-1](#) [61126-050CAHLF](#) [GTFP08432B1HR](#) [G85D1160022HHR](#) [SCE2MSDB76A121SN](#) [SCE2MSDZN76A121SN](#) [10014744-011ALF](#) [10014744-011LF](#) [10057542-1211FLF](#) [10067972-000LF](#) [10067972-050LF](#) [10122302-20110LF](#) [G85D1162022HHR](#) [TF-05A](#) [M6014-12](#) [XKNANO-1412](#) [SMN-304-ARP6](#) [MIS11-S1F1-2000-A](#) [SMN-308-ARSP7](#) [MCS-302S-KT1B](#) [SMN-308-ACSP7](#) [K-DYX-008](#) [K-DYX-004](#) [C7024-03](#) [SMO-1030](#) [MCS-110-KT](#) [SIM-217](#) [SNO-1355-KT](#) [SMO-1025-P10](#) [SIM-211S-P6](#)