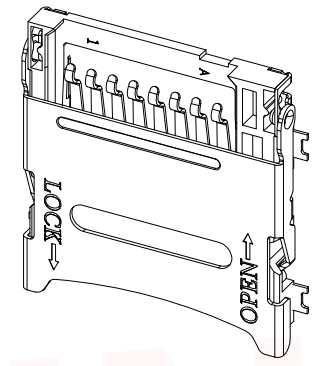
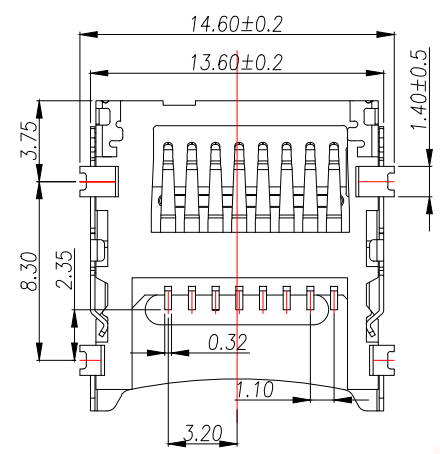
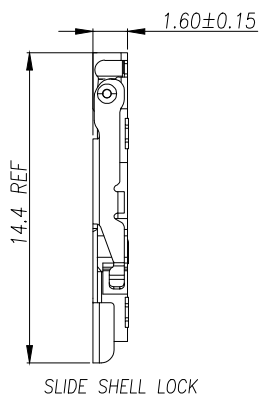
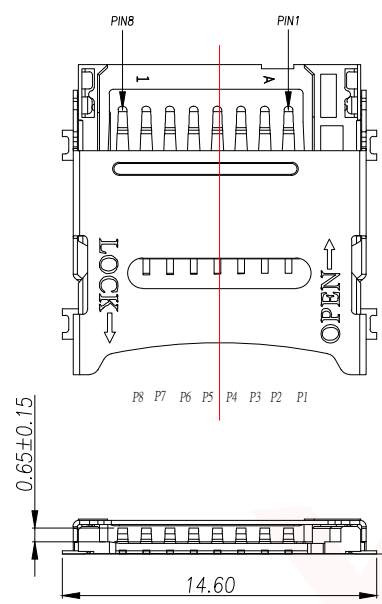


REV.	Q'TY	ECN. NO.	APR.	DATE



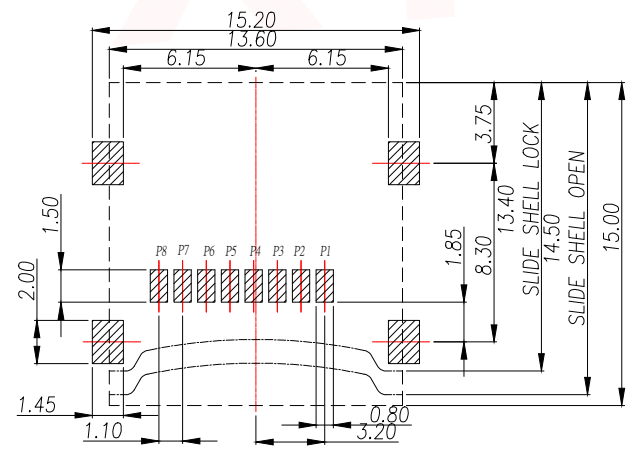
MATERIALS

- 1. HOUSING : HI-TEMP PLASTIC LCP-475
- 2. TERMINAL: COPPER ALLOY.  
PLATING: GOLD PLATED ON CONTACT AREA,  
G/F GOLD PLATED ON SOLDER TAILS.
- 3. SHELL : STAINLESS STEEL.

SPECIFICATION

- 1. CURRENT RATING : 0.5A MAX.
- 2. DIELECTRIC WITHSTANDING VOLTAGE :  
500V AC R.M.S. FOR 1 MINUTE.
- 3. INSULATION RESISTANCE : 100MΩ MIN. AT 500V DC.
- 4. CONTACT RESISTANCE : 50mΩ MAX.  
SWITCH RESISTANCE : 100mΩ MAX.
- 5. OPERATING TEMPERATURE : -30°C TO +85°C.

PIN ASSIGNMENT	
P1	DAT2
P2	CD/DAT3
P3	CMD
P4	Vod
P5	CLK
P6	Vss
P7	DAT0
P8	DAT1



RECOMMENDED PCB LAYOUT

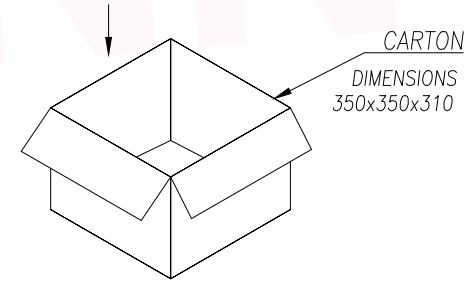
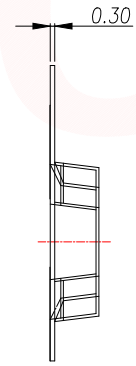
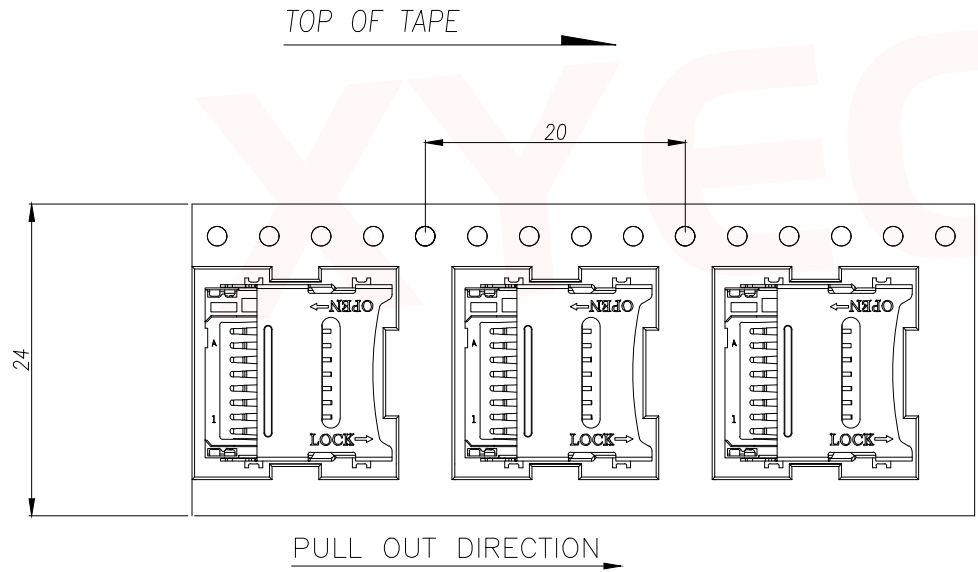
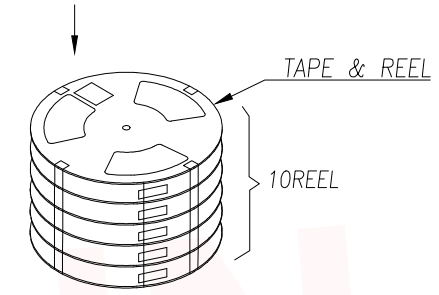
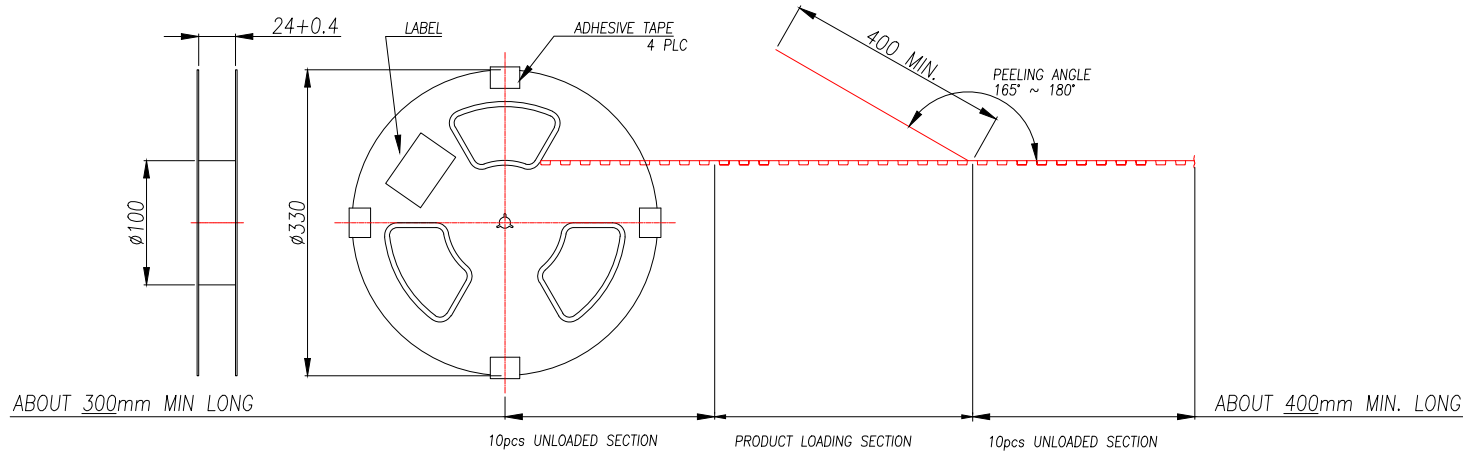
□ 产品外形    ▨ 焊盘

DIMENSION IN mm	
TOLERANCE UNLESS OTHERWISE SPECIFIED	
.X±0.35	X.*± 5°
.XX±0.25	.X°± 3°
.XXX±0.15	.XX°± 1°

厦门市辛译精密电子有限公司  
Xiamen XinYi Xyecomm Electronics Co.,Ltd

APR. Alex	TITLE: 1.6H 8PIN HINGE NANO SD CARD CONNECTOR
CHK. Jack	DWG NO. TF-04A-FWB8AH1.6
DRA. Can	PROJ.  CUSTOMER DRAWING
SIZE A4	SCALE 1:1
SHEET 1/2	REV. A

REV.	Q'TY	ECN. NO.	APR.	DATE



NOTES:

- 20 SPROCKET HOLE PITCH CUMULATIVE TOLERANCE±0.2.
- MATERIAL: CLARITY CONDUCTIVE POLYSTYRENE ALLOY 100% RECYCLABLE.
- ALL DIMENSIONS MEET EIA-481-3 REQUIREMENTS.
- THICKNESS: 0.25±0.05MM
- COMPONENT LOAD PER 30.2M" REEL: 1000PCS.
- 10REEL/CARTON: 10000PCS

DIMENSION IN mm		厦门市辛译精密电子有限公司 Xiamen XinYi Xyconn Electronics Co.,Ltd			
TOLERANCE UNLESS OTHERWISE SPECIFIED		TITLE: 1.6H 8PIN HINGE NANO SD CARD CONNECTOR			
.X±0.35	X.*± 5°	APR.	Alex	DWG NO. TF-04A-FWB8AH1.6	
.XX±0.25	.X*± 3°	CHK.	Jack	PROJ.  CUSTOMER DRAWING	
.XXX±0.15	.XX*± 1°	DRA.	Can	SIZE A4	SCALE 1:1
				SHEET 2/2	REV. A

## X-ON Electronics

Largest Supplier of Electrical and Electronic Components

*Click to view similar products for [Memory Card Connectors](#) category:*

*Click to view products by [XYECONN](#) manufacturer:*

Other Similar products are found below :

[6407-249V-25273P](#) [6407-249V-25343P](#) [6426-201-21343](#) [69.920.0553.0](#) [MCR60A-98D-2.54DSA\(70\)](#) [809180410000000](#) [DM3AT-SF-PEJM5\(41\)](#) [IC11S-BUR-PNEJL\(71\)](#) [C70210M0083692](#) [2041353-2](#) [308-DS1P0811-192](#) [HM2P09PDR360N9LF](#) [10014744-011TLF](#) [11327-001](#) [11327-002](#) [NX1-32T-KT3K\(05\)](#) [95622-003LF](#) [84648-056HLF](#) [CCM03-3109 B LFT](#) [MS3116J10-6PW](#) [2309923-1](#) [61126-050CAHLF](#) [GTFP08432B1HR](#) [G85D1160022HHR](#) [SCE2MSDB76A121SN](#) [SCE2MSDZN76A121SN](#) [10014744-011ALF](#) [10014744-011LF](#) [10057542-1211FLF](#) [10067972-000LF](#) [10067972-050LF](#) [10122302-20110LF](#) [G85D1162022HHR](#) [TF-05A](#) [XKNANO-1412](#) [SMN-304-ARP6](#) [MIS11-S1F1-2000-A](#) [SMN-308-ARSP7](#) [MCS-302S-KT1B](#) [SMN-308-ACSP7](#) [K-DYX-008](#) [K-DYX-004](#) [HYCW126-TF18-150B](#) [C7024-03](#) [SMO-1030](#) [MCS-110-KT](#) [SIM-217](#) [SNO-1355-KT](#) [SMO-1025-P10](#) [SIM-211S-P6](#)