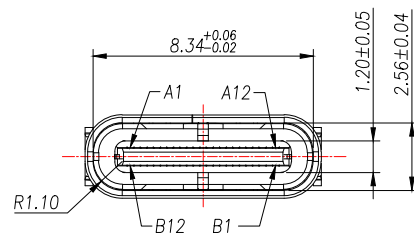
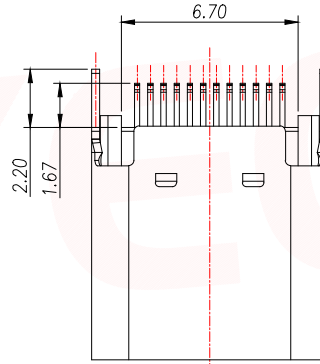
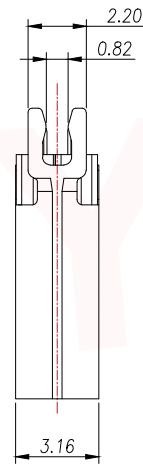
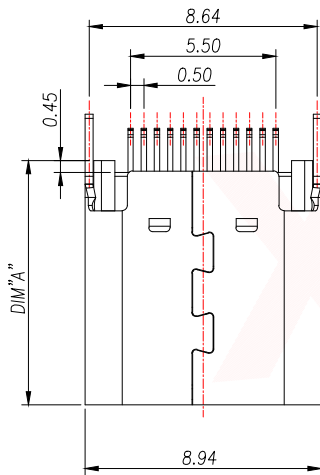
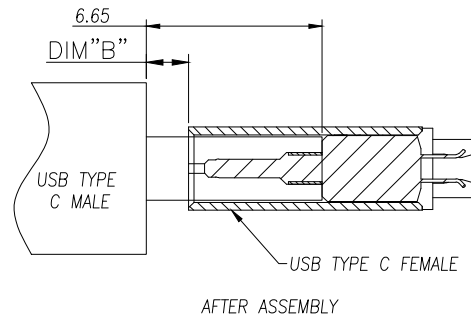
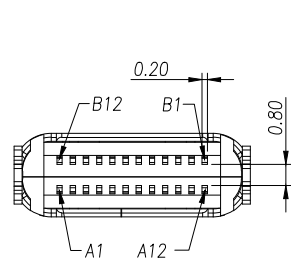


REV.	Q'TY	ECN. NO.	APR.	DATE



NOTE:

1.MATERIAL SPECIFICATION:

- 1.HOUSING:PA9T,BLACK,UL94 V-0.
- 2.TERMINAL:COPPER ALLOY (C1814)
- 3.MID PLATE: STAINLESS STEEL (SUS301)
- 4.FRONT SHELL: STAINLESS STEEL (SUS304)
- 5.TOP SHELL: STAINLESS STEEL (SUS304)

2.PLATING SPECIFICATION:

2-1.CONTACTS:

- Ni 50u" MIN. UNDER PLATED OVER ALL.
- GOLD-FLASH PLATED ON THE FUNCTIONAL AREA OF CONTACT.
- GOLD-FLASH PLATED ON THE SOLDER

2-2.FRONT SHELL&TOP SHELL:

- Ni 30u" MIN. UNDER PLATED OVER ALL.

2-3.MID PLATE:

- CLEAR ONLY

3.MECHANICAL PERFORMANCE,

- 3-1.INSERTION FORCE: 0.5~2.0kgf.
- 3-2.REMOVAL FORCE: 0.8kgf~2.0kgf.
- 3-3.DURABILITY: 10000 CYCLES.

4.ELECTRICAL PERFORMANCE,

- 4-1. VOLTAGE RATING:5 V DC/AC (RMS. max)
- CURRENT RATING:5 AMPS. FOR TOTAL VBUS/GND PINS;
- 1.25AMPS FOR CC PIN,0.25 AMPS. FOR ALL OTHER CONTACT.

4-2. LLCR:

- VBUS & GND PINS AND OTHER PINS: 40mΩ/PIN MAX.
- SHIELD: 50mΩ/MAX.
- LLCR MAX. CHANGE OF ALL PINS: 10mΩ.

4-3.INSULATION RESISTANCE: 100MΩ MIN

4-4.DIELECTRIC WITHSTAND VOLTAGE,AC 100V FOR 1 MINUTE.

5. ENVIRONMENTAL PERFORMANCE:

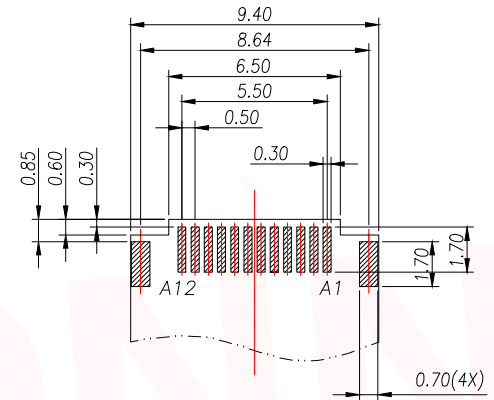
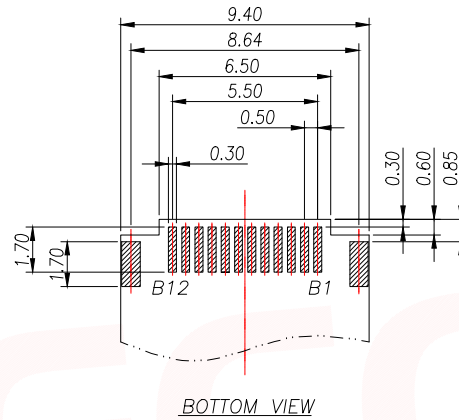
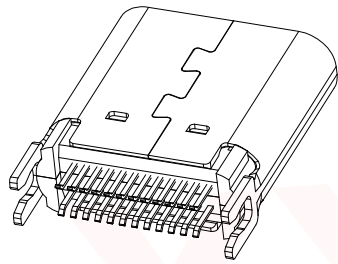
- OPERATING TEMPERATURE: -40°C~+85°C.

6.IR REFLOW:

- THE PEAK TEMPERATURE ON THE BOARD SHALL BE MAINTAINED FOR 10 SECONDS AT 260°C.

DIMENSION IN mm		厦门市辛译精密电子有限公司 Xiamen XinYi Xyecom Electronics Co.,Ltd		
TOLERANCE UNLESS OTHERWISE SPECIFIED		TITLE: USB C F SPLINT CONN.WITH EMI PCB=0.8		
.X±0.35	X.*± 5°	APR.	Alex	DWG NO. TYPE-C-G09-1JBWJ0.8-2
.XX±0.25	.X.*± 3°	CHK.	Jack	PROJ. CUSTOMER DRAWING
.XXX±0.15	.XX.*± 1°	DRA.	Can	SIZE A4 SCALE 1:1 SHEET 1/3 REV. A

REV.	Q'TY	ECN. NO.	APR.	DATE



THICKNESS 0.80±0.05MM;DEFAULT TOLERANCE:±0.05

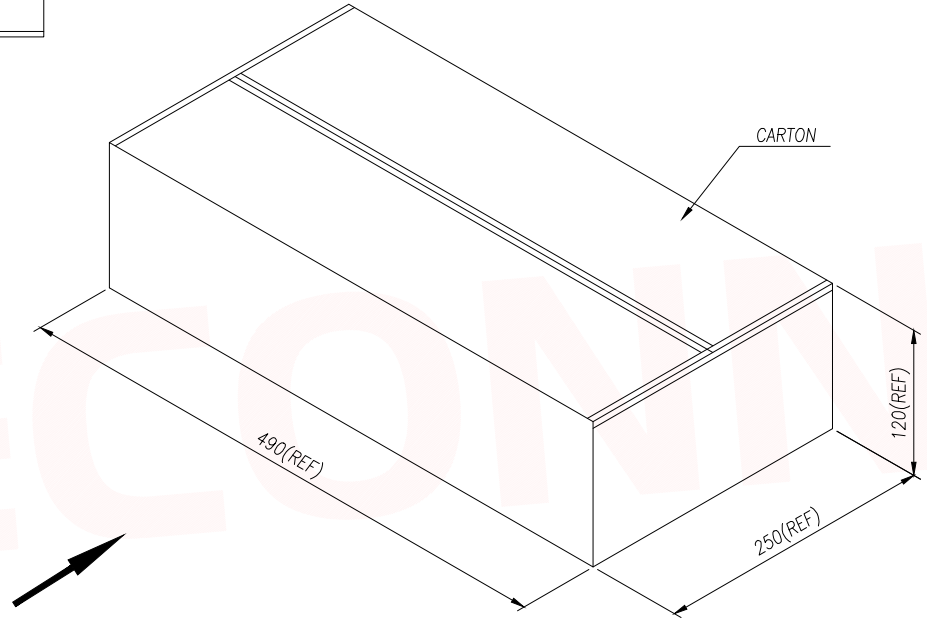
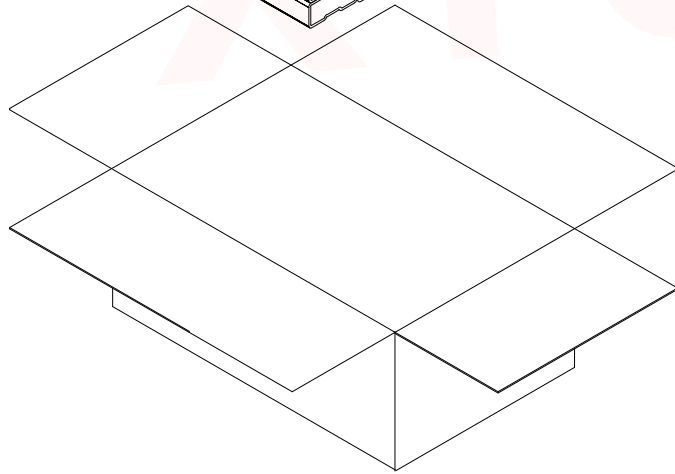
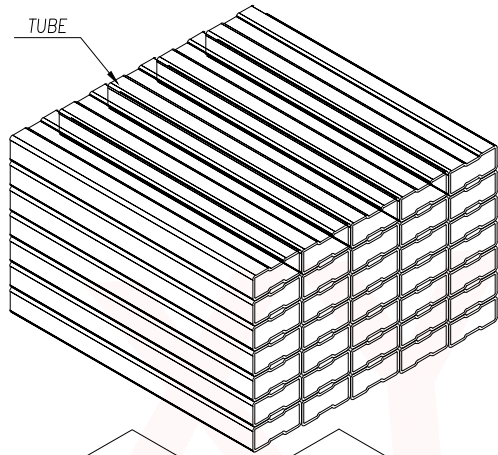
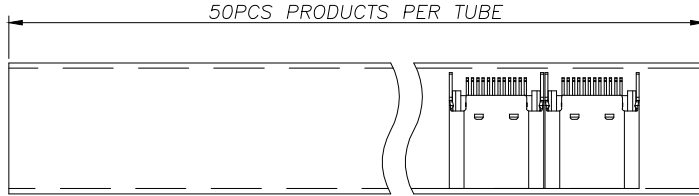
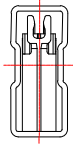
A1	A2	A3	A4	A5	A6	A7	A8	A9	A10	A11	A12
GND	TXp1	TXn1	Vbus	CC1	D+	D-	SBU1	Vbus	RXn2	RXp2	GND
GND	RXp1	RXn1	Vbus	SBU2	D-	D+	CC2	Vbus	TXn2	TXp2	GND
B12	B11	B10	B9	B8	B7	B6	B5	B4	B3	B2	B1

TABLE 1

P/N	DIM A	DIM B	QTY/TUBE	QTY/BOX
TYPE-C-G09-1JBWJ0.8-1	9.25	1.60	50	18000
TYPE-C-G09-1JBWJ0.8-2	10.40	0.45	50	18000

DIMENSION IN mm		厦门市辛译精密电子有限公司 Xiamen XinYi Xyconn Electronics Co.,Ltd		
TOLERANCE UNLESS OTHERWISE SPECIFIED				
.X±0.35	X.*± 5°	APR. Alex	TITLE: USB C F SPLINT CONN.WITH EMI PCB=0.8	
.XX±0.25	.X*± 3°	CHK. Jack	DWG NO. TYPE-C-G09-1JBWJ0.8-2	
.XXX±0.15	.XX*± 1°	DRA. Can	PROJ.	CUSTOMER DRAWING
		SIZE A4	SCALE 1:1	SHEET 2/3
				REV. A

REV.	Q'TY	ECN. NO.	APR.	DATE



	TUBE	CARTON
CONNECTOR (PCS)	50	18000

DIMENSION IN mm		厦门市辛译精密电子有限公司 Xiamen XinYi Xyconn Electronics Co.,Ltd							
TOLERANCE UNLESS OTHERWISE SPECIFIED									
.X±0.35	X.*± 5°	APR.	Alex	TITLE: USB C F SPLINT CONN.WITH EMI PCB=0.8					
.XX±0.25	.X.*± 3°	CHK.	Jack	DWG NO. TYPE-C-G09-1JBWJ0.8-2					
.XXX±0.15	.XX.*± 1°	DRA.	Can	PROJ. CUSTOMER DRAWING					
		SIZE	A4	SCALE	1:1	SHEET	3/3	REV.	A

X-ON Electronics

Largest Supplier of Electrical and Electronic Components

Click to view similar products for [USB Connectors](#) category:

Click to view products by [XYECONN](#) manufacturer:

Other Similar products are found below :

[950](#) [MUSBD11135](#) [17-200721](#) [217450-1](#) [KMBVX-TH-5S-B30](#) [KUSBX-AS2N-W](#) [KUSBX-SMT2AP1S-W30](#) [935](#) [957](#) [30-498-6](#) [SK-60A-2](#)
[1734082-1](#) [30-470](#) [30-489](#) [30-541](#) [A-USB A-2P-C](#) [MIKROE-1451](#) [USBFTVSCCG](#) [1-1734084-2](#) [10135326-001LF](#) [4198](#) [USB-A-D-VT](#)
[USB-A-S-RA-TSMT](#) [1310-1023-02](#) [690-024-633-031](#) [UB-20PMFP-LC7001](#) [17-200011](#) [UB-20AFMM-LL7A01](#) [1040870124](#) [CAP-](#)
[WCCMLPB1](#) [CAP-WCCMLPC1](#) [2274475-3](#) [UB-20BMFA-SL8001](#) [914-614A2025S10200](#) [USB3FTV7SAGF059](#) [ZX40-B-5S-1500-](#)
[STDA\(30\)](#) [GSB3116344HR](#) [USB3FTV2SAZNF459](#) [USB3FTV7SAZNF459](#) [U221-041N-1WVS62-F5D](#) [HYCW153-USBD05-500B](#)
[HYCW219-USBD05-075B](#) [HYCW148-USBD05-117B](#) [HYCW149-USBD05-740B](#) [HYCW204-USBD05-108B](#) [HYCW214-USBA04-113B](#)
[HYCW213-USBA04-113B](#) [UB-20AMFM-SL7A01](#) [KMMX-BSMT35S-1-B30TR](#) [2345986-1](#)