

REV.	Q'TY	ECN. NO.	APR.	DATE

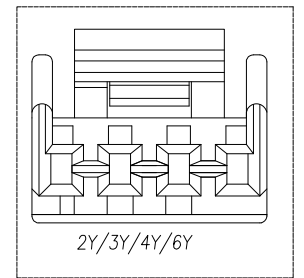
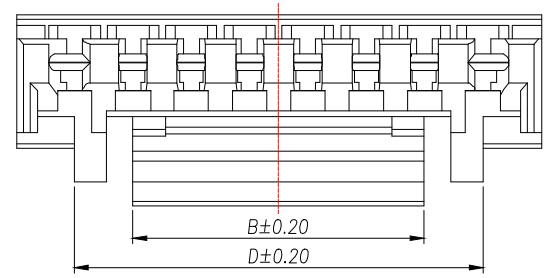
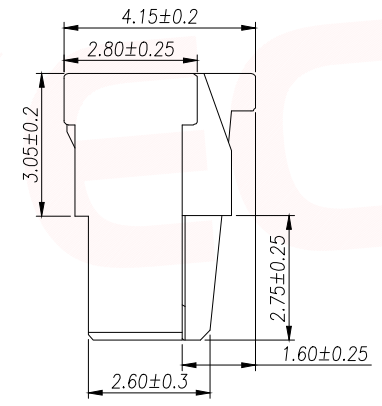
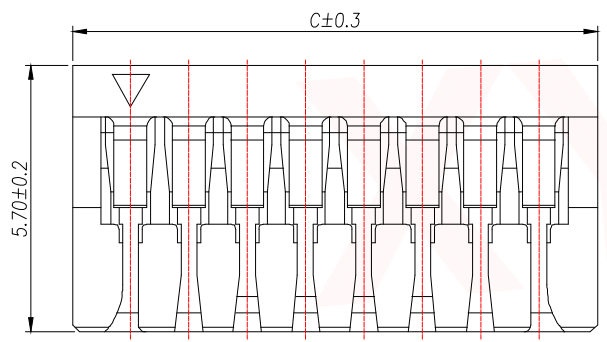
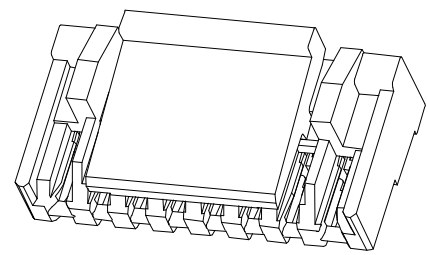
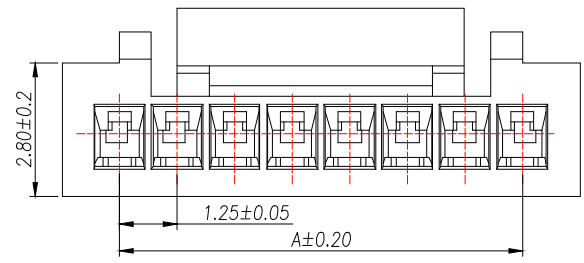
技术要求Specification:

1. 材质Material: PA66 UL94V-0;
2. 额定电流 Current rating:1.0A AC,DC
3. 额定电压 Voltage rating: 50V AC,DC
4. 温度范围 Temperature range:-25℃to+85℃
5. 接触电阻 Contact resistance:<30mΩ
6. 绝缘电阻Insulation resistance:>100MΩ
7. 耐压Withstand voltage:500V AC/minute
8. 塑件表面平整光洁, 无明显毛刺、气泡、变形、浇口拉伤、缺料等不良现象。

Plastic surface smooth and clean, no obvious burrsbubbles, distortion, gate strain, lack of material and otherundesirable phenomena.

Part No	Pin	A	B	C	D
XY-GH1.25-2A41	2	1.25	2.00	3.75	
XY-GH1.25-3A41	3	2.50	3.20	5.00	
XY-GH1.25-4A41	4	3.75	4.30	6.25	
XY-GH1.25-5A41	5	5.00	4.30	7.50	6.25
XY-GH1.25-6A41	6	6.25	6.25	8.75	8.75
XY-GH1.25-7A41	7	7.50	6.25	10.00	8.75
XY-GH1.25-8A41	8	8.75	6.25	11.25	8.75
XY-GH1.25-9A41	9	10.00	6.25	12.50	8.75
XY-GH1.25-10A41	10	11.25	8.30	13.75	10.70
XY-GH1.25-11A41	11	12.50	8.30	15.00	10.70
XY-GH1.25-12A41	12	13.75	8.30	16.25	10.70
XY-GH1.25-13A41	13	15.00	8.30	17.50	10.70
XY-GH1.25-14A41	14	16.25	8.30	18.75	10.70
XY-GH1.25-15A41	15	17.50	8.30	20.00	10.70
XY-GH1.25-16A41	16	18.75	8.30	21.25	

DIMENSION IN mm		APR. Alex		TITLE: GH1.25MM HOUSING	
TOLERANCE UNLESS OTHERWISE SPECIFIED					
.X±0.35	X.*± 5°	CHK. Jack	DWG NO. XY-GH1.25-NA41		
.XX±0.25	.X.*± 3°		PROJ.  CUSTOMER DRAWING		
.XXX±0.15	.XX.*± 1°	DRA. Can	SIZE A4	SCALE 1:1	SHEET 1/1
			REV. A		



## X-ON Electronics

Largest Supplier of Electrical and Electronic Components

*Click to view similar products for [Headers & Wire Housings](#) category:*

*Click to view products by [XYECONN](#) manufacturer:*

Other Similar products are found below :

[0015917161](#) [0022155065](#) [57102-F02-18ULF](#) [58102-G61-06LF](#) [582553-1](#) [01.001.5753.1](#) [0050291907](#) [02.125.8002.8](#) [609-3404](#) [61062-3](#)  
[CSU011177004](#) [622-0430](#) [622-3653LF](#) [63453-116](#) [636-1030](#) [636-1427](#) [636-3427](#) [636-4007](#) [641938-9](#) [65495-038](#) [65692-001LF](#) [65781-018](#)  
[65781-047](#) [65817-010LF](#) [65817-015LF](#) [67095-007LF](#) [67601157](#) [68631-112](#) [68645-018](#) [699319-000](#) [70.362.1628.0](#) [70-4210](#) [70-4226B](#) [70-](#)  
[4853B](#) [71.350.2428.0](#) [733-134](#) [733-162](#) [760-3052](#) [MHR-64-VUAL](#) [80.063.4001.1](#) [800-90-001-10-001000](#) [801-43-002-10-013000](#)  
[801-43-006-10-002000](#) [803-43-024-10-001000](#) [803-93-012-10-001000](#) [8-1437020-4](#) [819-22-004-30-001101](#) [820-22-006-30-001101](#)  
[820-22-008-30-001101](#) [821-22-002-10-001101](#)