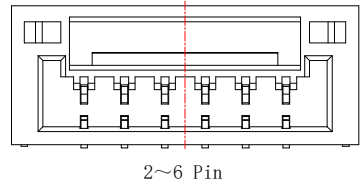
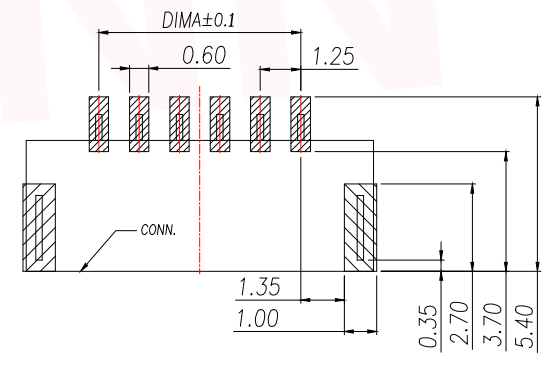
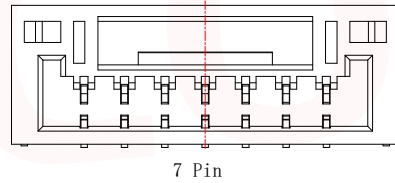
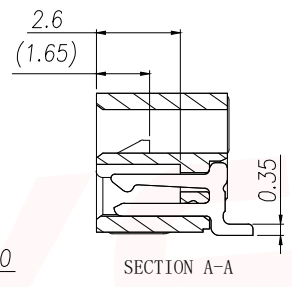
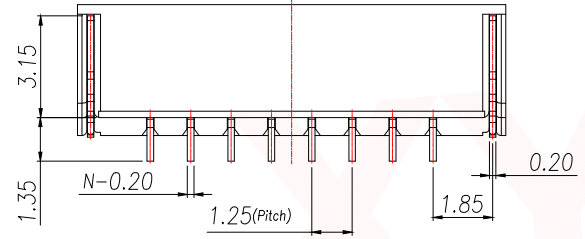
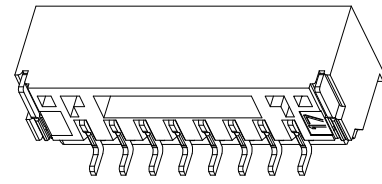
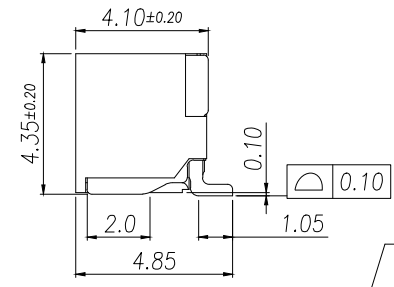
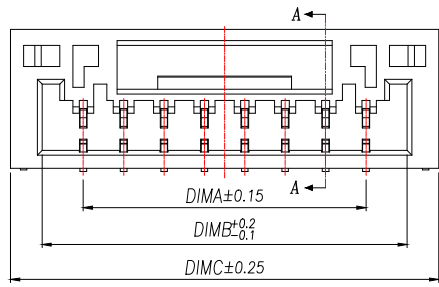


REV.	Q'TY	ECN. NO.	APR.	DATE

PRELIMINARY  
DESIGN IS SUBJECT  
TO CHANGE WITHOUT  
PRIOR NOTICE

NOTES:

- Working temp: -25°C~85°C.
- Voltage rating: 50V AV/DC(rms)
- Contact resistance: 50mΩ max.
- Insulation resistance: 100MΩ min.
- Current rating: 1A AV/DC
- Withstanding Voltage: 500V AC/minute
- Pin Retention Force: 10N min.
- Housing material: LCP UL94-V0, Natural
- Terminal materi: Brass,  
plating Ni 50u" min , plating Tin 100u"min.
- Solder tab material: Brass,  
plating Ni 50u" min , plating Tin 100u"min.



PIN	NO.	Dim A	Dim B	Dim C
2	XY-GH1.25-2A61	1.25	3.80	5.75
3	XY-GH1.25-3A61	2.50	5.05	7.00
4	XY-GH1.25-4A61	3.75	6.30	8.25
5	XY-GH1.25-5A61	5.00	7.55	9.50
6	XY-GH1.25-6A61	6.25	8.80	10.75
7	XY-GH1.25-7A61	7.50	10.05	12.00
8	XY-GH1.25-8A61	8.75	11.30	13.25
9	XY-GH1.25-9A61	10.00	12.55	14.50
10	XY-GH1.25-10A61	11.25	13.80	15.75
11	XY-GH1.25-11A61	12.50	15.05	17.00
12	XY-GH1.25-12A61	13.75	16.30	18.25
13	XY-GH1.25-13A61	15.00	17.55	19.50
14	XY-GH1.25-14A61	16.25	18.80	20.75
15	XY-GH1.25-15A61	17.50	20.05	22.00
16	XY-GH1.25-16A61	18.75	21.30	23.25

DIMENSION IN mm		TOLERANCE UNLESS OTHERWISE SPECIFIED		APR. Alex		TITLE: WAFER 1.25mm H4.35mm W/ B 90°SMT	
.X±0.35	X.*± 5'	.XX±0.25	.X*± 3'	CHK. Jack	DWG NO. XY-GH1.25-NA61		
.XXX±0.15	.XX*± 1'	DRA. Can	PROJ.		CUSTOMER DRAWING		
		SIZE A4	SCALE 1:1	SHEET 1/3	REV. A		

REV.	Q'TY	ECN. NO.	APR.	DATE

A

B

C

D

E

F

A

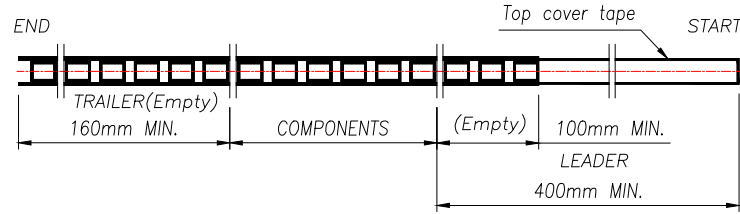
B

C

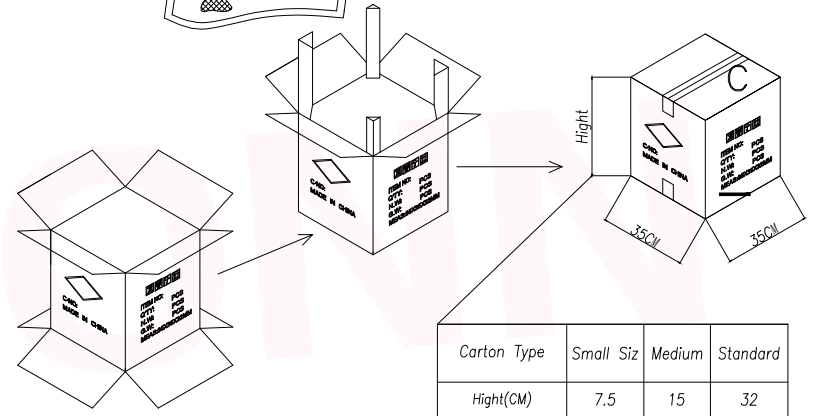
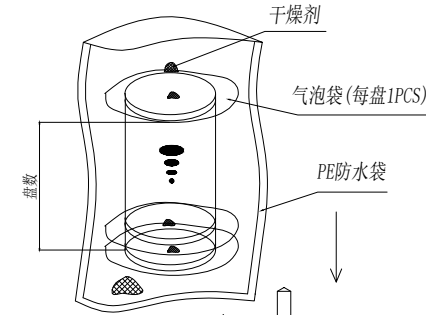
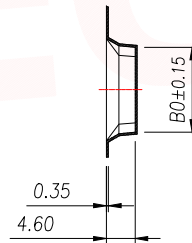
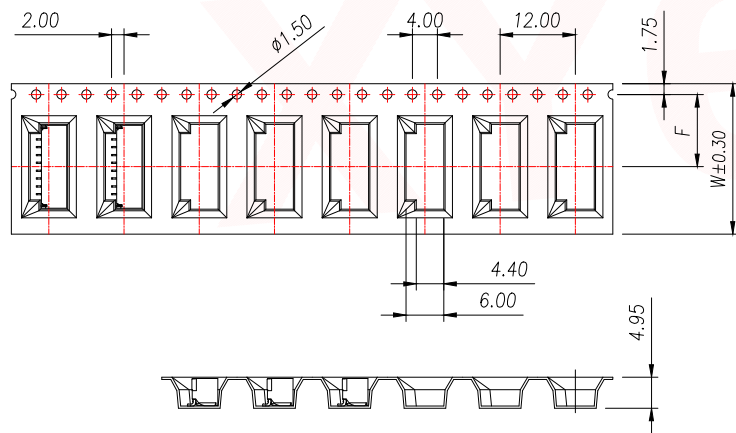
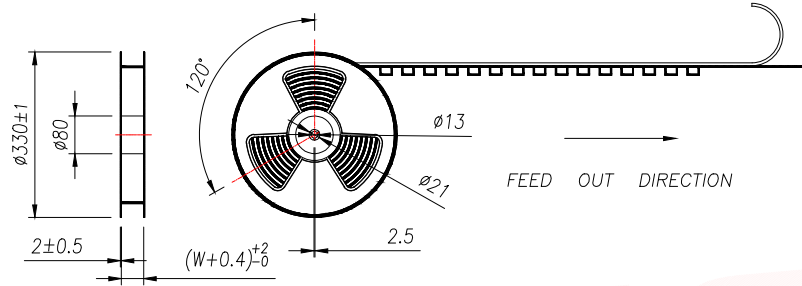
D

E

F



PRELIMINARY DESIGN IS SUBJECT TO CHANGE WITHOUT PRIOR NOTICE



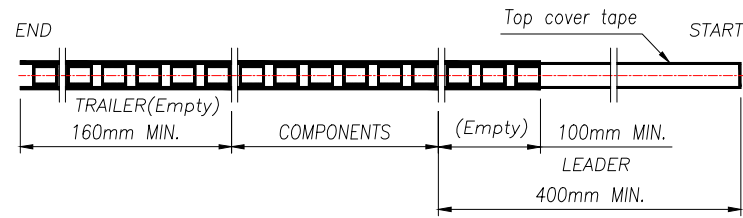
Carton Type	Small Siz	Medium	Standard
Hight(CM)	7.5	15	32

- NOTE:
- 1.10 SPROCKET HOLE PITCH CUMULATIVE TOLERANCE ±0.2mm.
  - 2.CARRIER CAMBER NOT TO EXCEED 1mm IN 100mm.
  - 3.ALL DIMENSIONS MEET EIA-481 REQUIREMENTS.
  - 4.MATERIAL: CLEAR ANTISTATIC PS, COLD SEALING.
  - 5.THICKNESS: 0.35±0.05mm.
  - 6.PACKING LENGHT PER REEL: 12.4 METERS.
  - 7.COMPONENT LOAD PER REEL: 1000 PCS.

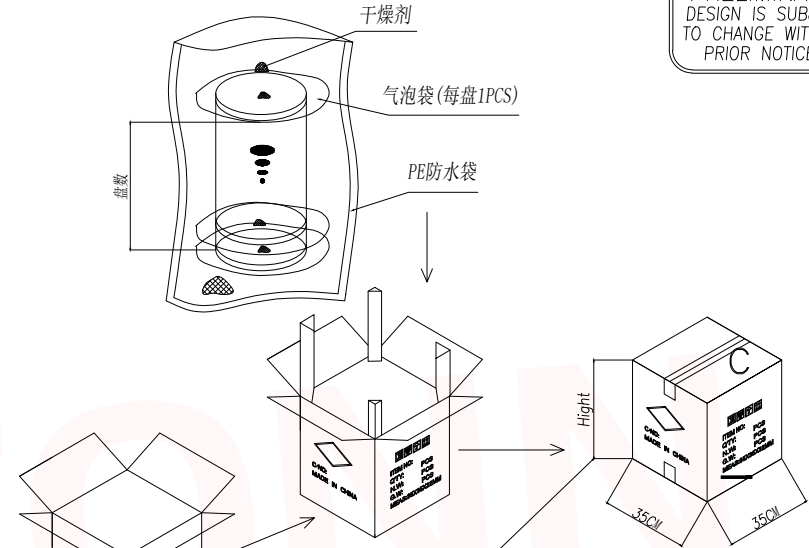
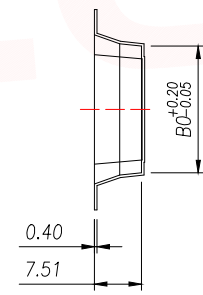
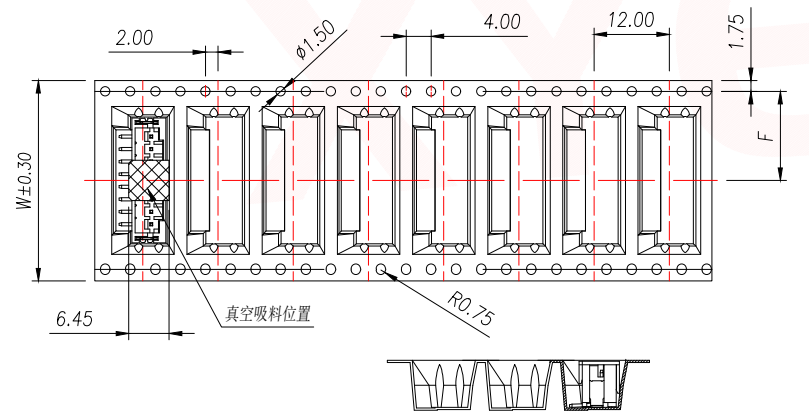
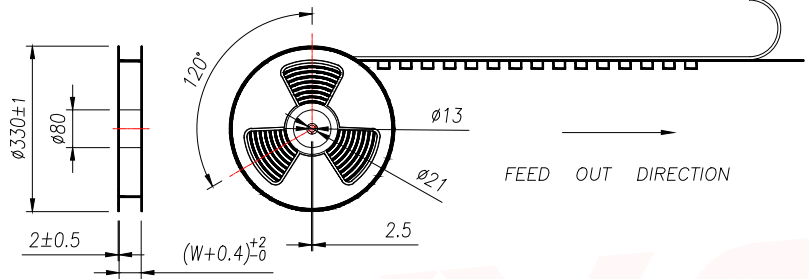
PIN	NO.	Dim B0	Dim W	Dim F	PCS/RELL	RELL/CARTON	PCS/CARTON
2	XY-GH1.25-2A61	8.20	16	7.5	1000	14	14000
3	XY-GH1.25-3A61	10.20					
4	XY-GH1.25-4A61	12.20					
5	XY-GH1.25-5A61	14.20					
6	XY-GH1.25-6A61	16.20	24	11.50	10	10	10000
7	XY-GH1.25-7A61	18.20					
8	XY-GH1.25-8A61	20.20					
9	XY-GH1.25-9A61	22.20					

DIMENSION IN mm		厦门市辛译精密电子有限公司 Xiamen XinYi Xyconn Electronics Co.,Ltd			
TOLERANCE UNLESS OTHERWISE SPECIFIED		APR.	Alex	TITLE: WAFER 1.25mm H4.35mm W/ B 90°SMT	
.X±0.35	.X*± 5*	CHK.	Jack	DWG NO. XY-GH1.25-NA61	
.XX±0.25	.X*± 3*	DRA.	Can	PROJ.  CUSTOMER DRAWING	
.XXX±0.15	.XX*± 1*	SIZE	A4	SCALE	1:1
		SHEET	2/3	REV.	A

REV.	Q'TY	ECN. NO.	APR.	DATE



PRELIMINARY DESIGN IS SUBJECT TO CHANGE WITHOUT PRIOR NOTICE



Carton Type	Small Siz	Medium	Standard
Hight(CM)	7.5	15	32

- NOTE:
- 1.10 SPROCKET HOLE PITCH CUMULATIVE TOLERANCE  $\pm 0.2\text{mm}$ .
  - 2.CARRIER CAMBER NOT TO EXCEED 1mm IN 100mm.
  - 3.ALL DIMENSIONS MEET EIA-481 REQUIREMENTS.
  - 4.MATERIAL: CLEAR ANTISTATIC PS, COLD SEALING.
  - 5.THICKNESS:  $0.35 \pm 0.05\text{mm}$ .
  - 6.PACKING LENGTH PER REEL: 12.4 METERS.
  - 7.COMPONENT LOAD PER REEL: 1000 PCS.

PIN	NO.	Dim B0	Dim W	Dim F	PCS/RELL	RELL/CARTON	PCS/CARTON
10	XY-GH1.25-10A61	16.05	32	14.2	1000	8	8000
11	XY-GH1.25-11A61	17.30					
12	XY-GH1.25-12A61	18.55					
13	XY-GH1.25-13A61	19.80	44	20.2		6	6000
14	XY-GH1.25-14A61	21.05					
15	XY-GH1.25-15A61	22.30					
16	XY-GH1.25-16A61	23.55					

DIMENSION IN mm		厦门市辛译精密电子有限公司 Xiamen XinYi Xyecomm Electronics Co.,Ltd			
TOLERANCE UNLESS OTHERWISE SPECIFIED		APR. Alex TITLE: WAFER 1.25mm H4.35mm W/ B 90°SMT			
.X $\pm$ 0.35	X.* $\pm$ 5°	CHK. Jack	DWG NO. XY-GH1.25-NA61		
.XX $\pm$ 0.25	.X* $\pm$ 3°	DRA. Can	PROJ.  CUSTOMER DRAWING		
.XXX $\pm$ 0.15	.XX* $\pm$ 1°	SIZE A4 SCALE 1:1 SHEET 3/3 REV. A			

## X-ON Electronics

Largest Supplier of Electrical and Electronic Components

*Click to view similar products for [Headers & Wire Housings](#) category:*

*Click to view products by [XYECONN](#) manufacturer:*

Other Similar products are found below :

[0015917161](#) [0022155065](#) [57102-F02-18ULF](#) [58102-G61-06LF](#) [582553-1](#) [01.001.5753.1](#) [0050291907](#) [02.125.8002.8](#) [609-3404](#) [61062-3](#)  
[CSU011177004](#) [622-0430](#) [622-3653LF](#) [63453-116](#) [636-1030](#) [636-1427](#) [636-3427](#) [636-4007](#) [641938-9](#) [65495-038](#) [65692-001LF](#) [65781-018](#)  
[65781-047](#) [65817-010LF](#) [65817-015LF](#) [67095-007LF](#) [67601157](#) [68631-112](#) [68645-018](#) [699319-000](#) [70.362.1628.0](#) [70-4210](#) [70-4226B](#) [70-](#)  
[4853B](#) [71.350.2428.0](#) [733-134](#) [733-162](#) [760-3052](#) [MHR-64-VUAL](#) [80.063.4001.1](#) [800-90-001-10-001000](#) [801-43-002-10-013000](#)  
[801-43-006-10-002000](#) [803-43-024-10-001000](#) [803-93-012-10-001000](#) [8-1437020-4](#) [819-22-004-30-001101](#) [820-22-006-30-001101](#)  
[820-22-008-30-001101](#) [821-22-002-10-001101](#)