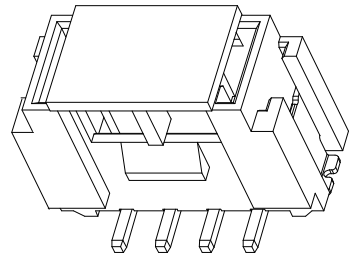
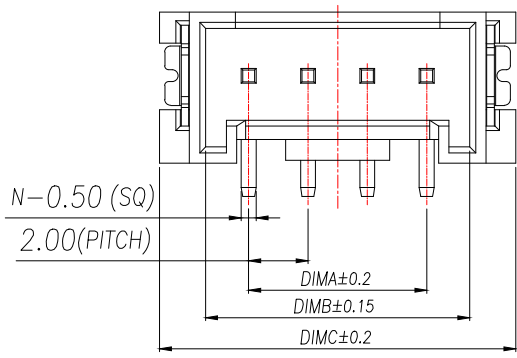


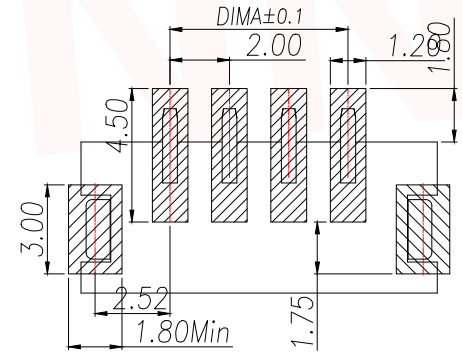
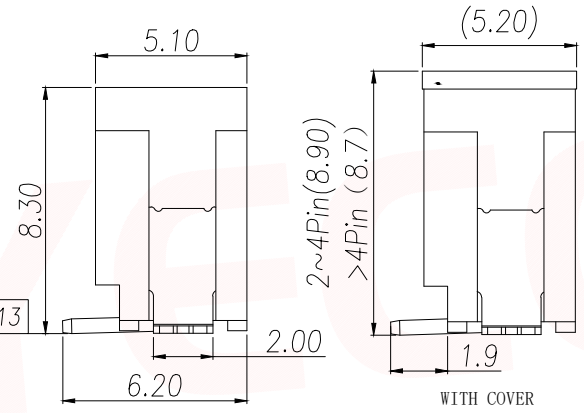
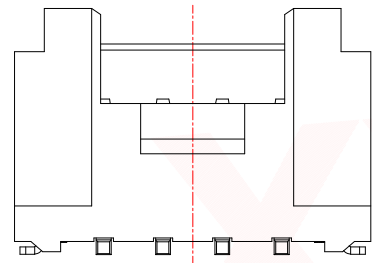
REV.	Q'TY	ECN. NO.	APR.	DATE

PRELIMINARY
DESIGN IS SUBJECT
TO CHANGE WITHOUT
PRIOR NOTICE



NOTES:

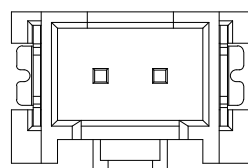
1. Working temp: -25°C~85°C.
2. Voltage rating: 100V AV/DC(rms)
3. Contact resistance: 20mΩ max.
4. Insulation resistance: 1000MΩ min.
5. Current rating: 2A AV/DC
6. Withstanding Voltage: 800V AC/minute
7. Pin Retention Force: 15N min.
8. Housing material: LCP UL94-V0, Natural
9. Terminal materl: Brass,
plating Ni 50u" min , plating Tin 100u"min.
10. Solder tab material: Brass,
plating Ni 50u" min , plating Tin 100u"min.



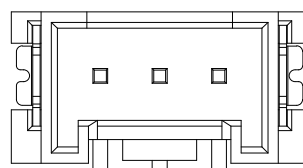
RECOMMENDED PCB LAYOUT TOP VIEW (TOLERANCE: ±0.05)

SMT SOLDER AREA

PIN	NO.	Dim A	Dim B	Dim C
2	XY-HY2.0-2A51	2.00	4.90	8.00
3	XY-HY2.0-3A51	4.00	6.90	10.00
4	XY-HY2.0-4A51	6.00	8.90	12.00
5	XY-HY2.0-5A51	8.00	10.90	14.00
6	XY-HY2.0-6A51	10.00	12.90	16.00
7	XY-HY2.0-7A51	12.00	14.90	18.00
8	XY-HY2.0-8A51	14.00	16.90	20.00
9	XY-HY2.0-9A51	16.00	18.90	22.00
10	XY-HY2.0-10A51	18.00	20.90	24.00
11	XY-HY2.0-11A51	20.00	22.90	26.00
12	XY-HY2.0-12A51	22.00	24.90	28.00
13	XY-HY2.0-13A51	24.00	26.90	30.00
14	XY-HY2.0-14A51	26.00	28.90	32.00
15	XY-HY2.0-15A51	28.00	30.90	34.00
16	XY-HY2.0-16A51	30.00	32.90	36.00



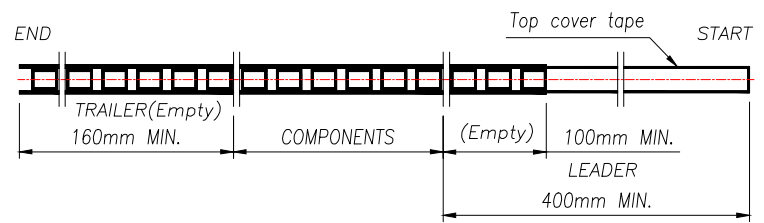
2 PIN 结构样式
(Structural style)



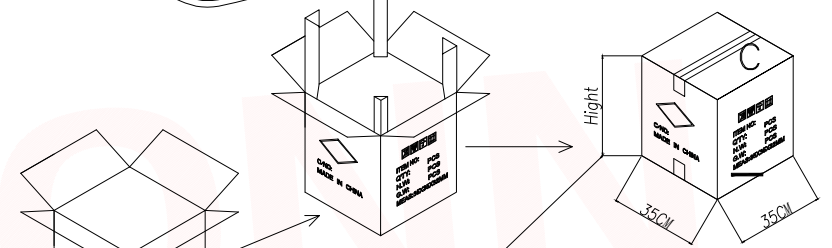
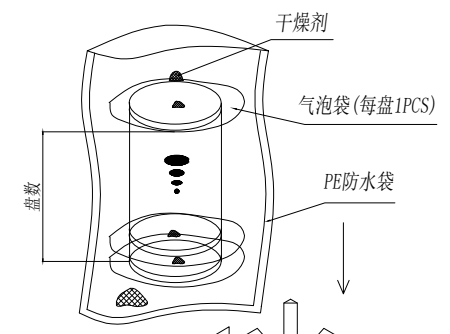
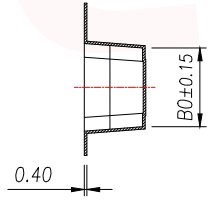
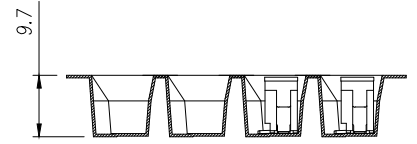
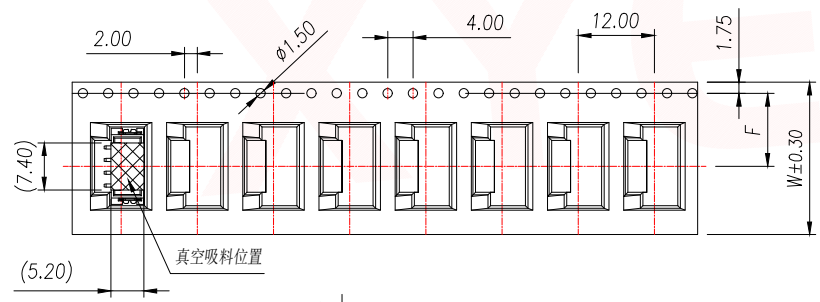
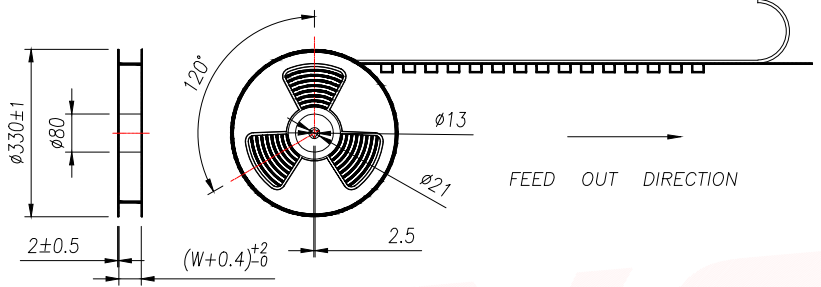
3 PIN 结构样式
(Structural style)

DIMENSION IN mm		厦门市辛译精密电子有限公司 Xiamen XinYi Xyecom Electronics Co.,Ltd			
TOLERANCE UNLESS OTHERWISE SPECIFIED		APR.	Alex	TITLE: WAFER 2.00mm H8.3mm W/ B 180°SMT	
.X±0.35	.X*±5*	CHK.	Jack	DWG NO. XY-HY2.0-NA51	
.XX±0.25	.X*±3*	DRA.	Can	PROJ. CUSTOMER DRAWING	
.XXX±0.15	.XX*±1*	SIZE	A4	SCALE	1:1
			SHEET	1/3	REV. A

REV.	Q'TY	ECN. NO.	APR.	DATE



PRELIMINARY DESIGN IS SUBJECT TO CHANGE WITHOUT PRIOR NOTICE



Carton Type	Small Siz	Medium	Standard
Hight(CM)	7.5	15	32

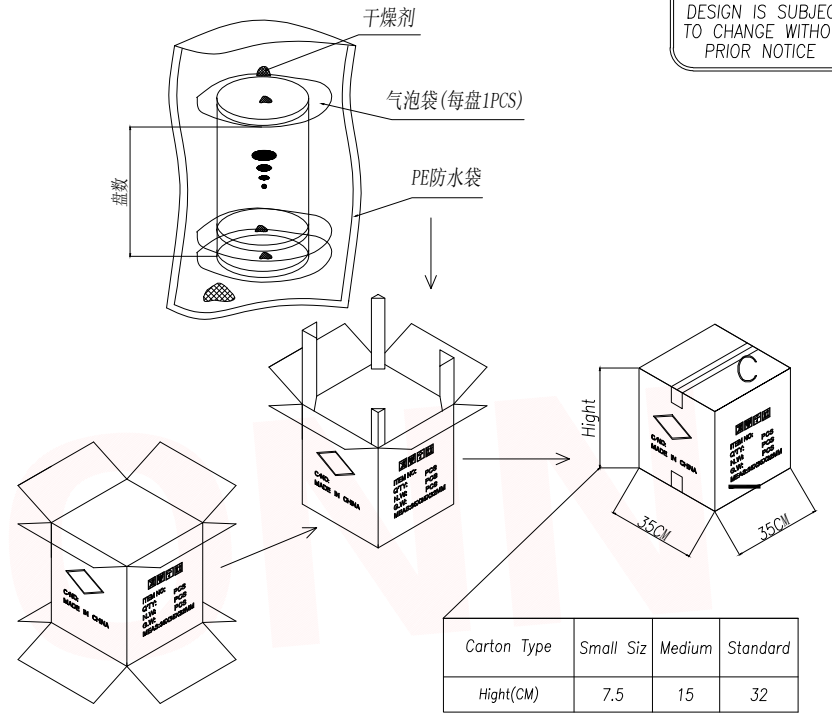
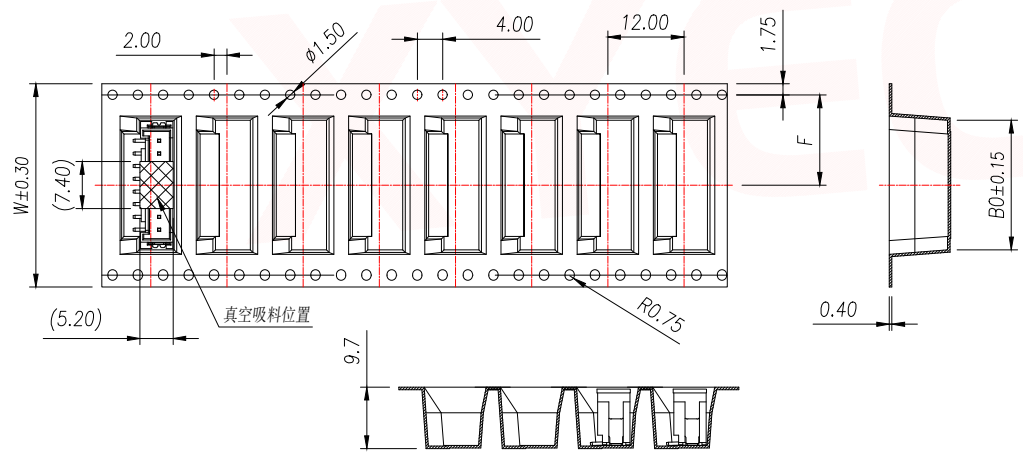
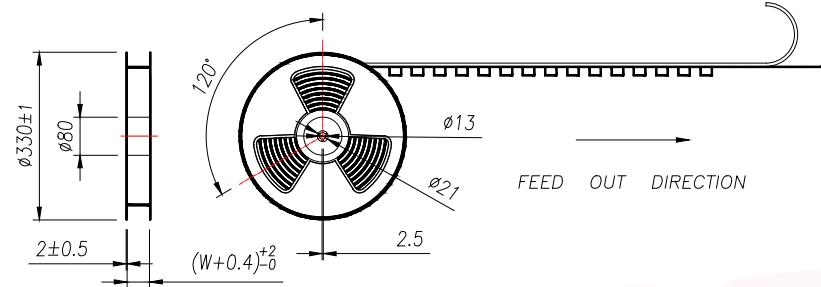
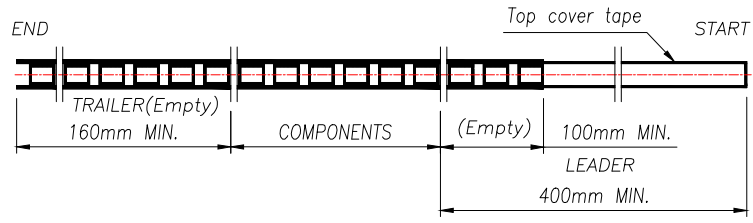
- NOTE:
- 1.10 SPROCKET HOLE PITCH CUMULATIVE TOLERANCE ± 0.2 mm.
 - 2.CARRIER CAMBER NOT TO EXCEED 1mm IN 100mm.
 - 3.ALL DIMENSIONS MEET EIA-481 REQUIREMENTS.
 - 4.MATERIAL: CLEAR ANTISTATIC PS, COLD SEALING.
 - 5.THICKNESS: 0.40 ± 0.05 mm.
 - 6.PACKING LENGTH PER REEL: 7.6 METERS.
 - 7.COMPONENT LOAD PER REEL: 600 PCS.

PIN	NO.	Dim B0	Dim W	Dim F	PCS/RELL	RELL/CARTON	PCS/CARTON
2	XY-HY2.0-2A51	8.40	24	11.50	600	10	6000
3	XY-HY2.0-3A51	10.40					
4	XY-HY2.0-4A51	12.40					
5	XY-HY2.0-5A51	14.40					
6	XY-HY2.0-6A51	16.40					

DIMENSION IN mm		厦门市辛译精密电子有限公司 Xiamen XinYi Xyconn Electronics Co.,Ltd			
TOLERANCE UNLESS OTHERWISE SPECIFIED					
.X \pm 0.35	X.* \pm 5°	APR.	Alex	TITLE: WAFER 2.00mm H8.3mm W/ B 180°SMT	
.XX \pm 0.25	.X* \pm 3°	CHK.	Jack	DWG NO. XY-HY2.0-NA51	
.XXX \pm 0.15	.XX* \pm 1°	DRA.	Can	PROJ. CUSTOMER DRAWING	
		SIZE	A4	SCALE	1:1
		SHEET	2/3	REV.	A

REV.	Q'TY	ECN. NO.	APR.	DATE

PRELIMINARY
DESIGN IS SUBJECT
TO CHANGE WITHOUT
PRIOR NOTICE



- NOTE:
- 1.10 SPROCKET HOLE PITCH CUMULATIVE TOLERANCE $\pm 0.2\text{mm}$.
 - 2.CARRIER CAMBER NOT TO EXCEED 1mm IN 100mm.
 - 3.ALL DIMENSIONS MEET EIA-481 REQUIREMENTS.
 - 4.MATERIAL: CLEAR ANTISTATIC PS, COLD SEALING.
 - 5.THICKNESS: $0.40 \pm 0.05\text{mm}$.
 - 6.PACKING LENGTH PER REEL: 7.6 METERS.
 - 7.COMPONENT LOAD PER REEL: 600 PCS.

PIN	NO.	Dim B0	Dim W	Dim F	PCS/RELL	RELL/CARTON	PCS/CARTON			
7	XY-HY2.0-7A51	18.40	32	14.2	600	8	4800			
8	XY-HY2.0-8A51	20.40								
9	XY-HY2.0-9A51	22.40	44	20.2		6		3600		
10	XY-HY2.0-10A51	24.40								
11	XY-HY2.0-11A51	26.40				5			26.2	3000
12	XY-HY2.0-12A51	28.40								
13	XY-HY2.0-13A51	30.40	56	26.2	5	3000				
14	XY-HY2.0-14A51	32.40								
15	XY-HY2.0-15A51	34.40								
16	XY-HY2.0-16A51	36.40								

DIMENSION IN mm		厦门市辛译精密电子有限公司 Xiamen XinYi Xyconn Electronics Co.,Ltd			
TOLERANCE UNLESS OTHERWISE SPECIFIED		APR.	Alex	TITLE: WAFER 2.00mm H8.3mm W/ B 180°SMT	
.X \pm 0.35	X.* \pm 5*	CHK.	Jack	DWG NO. XY-HY2.0-NA51	
.XX \pm 0.25	.X* \pm 3*	PROJ.		CUSTOMER DRAWING	
.XXX \pm 0.15	.XX* \pm 1*	DRA.	Can	SIZE A4	SCALE 1:1
		SHEET	3/3	REV.	A

X-ON Electronics

Largest Supplier of Electrical and Electronic Components

Click to view similar products for [Headers & Wire Housings](#) category:

Click to view products by [XYECONN](#) manufacturer:

Other Similar products are found below :

[0015917161](#) [0022155065](#) [57102-F02-18ULF](#) [58102-G61-06LF](#) [582553-1](#) [01.001.5753.1](#) [0050291907](#) [02.125.8002.8](#) [609-3404](#) [61062-3](#)
[CSU011177004](#) [622-0430](#) [622-3653LF](#) [63453-116](#) [636-1030](#) [636-1427](#) [636-3427](#) [636-4007](#) [641938-9](#) [65495-038](#) [65692-001LF](#) [65781-018](#)
[65781-047](#) [65817-010LF](#) [65817-015LF](#) [67095-007LF](#) [67601157](#) [68631-112](#) [68645-018](#) [699319-000](#) [70.362.1628.0](#) [70-4210](#) [70-4226B](#) [70-](#)
[4853B](#) [71.350.2428.0](#) [733-134](#) [733-162](#) [760-3052](#) [MHR-64-VUAL](#) [80.063.4001.1](#) [800-90-001-10-001000](#) [801-43-002-10-013000](#)
[801-43-006-10-002000](#) [803-43-024-10-001000](#) [803-93-012-10-001000](#) [8-1437020-4](#) [819-22-004-30-001101](#) [820-22-006-30-001101](#)
[820-22-008-30-001101](#) [821-22-002-10-001101](#)