

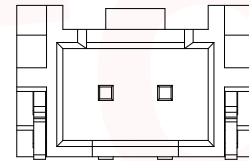
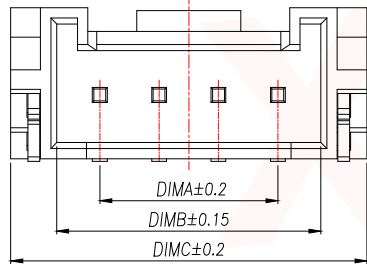
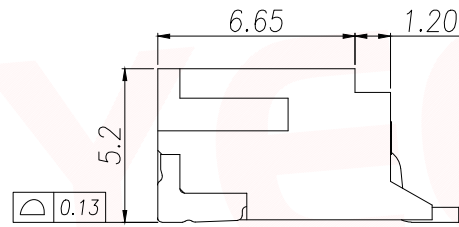
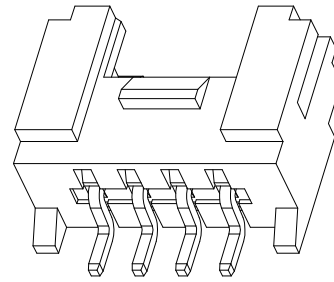
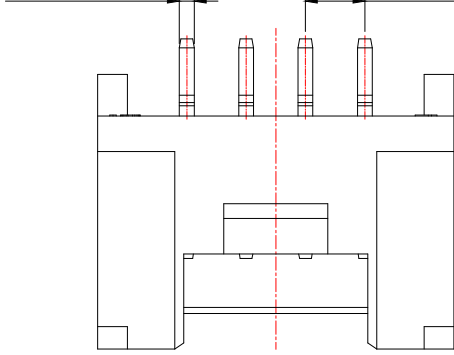
| | | | | |
|------|------|----------|------|------|
| REV. | Q'TY | ECN. NO. | APR. | DATE |
| | | | | |

PRELIMINARY
DESIGN IS SUBJECT
TO CHANGE WITHOUT
PRIOR NOTICE

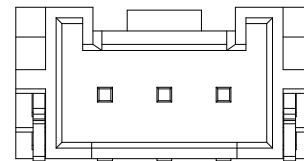
NOTES:

- 1.Working temp:-25°C~85°C.
- 2.Voltage rating:100V AV/DC(rms)
- 3.Contact resistance:20mΩ max.
- 4.Insulation resistance:1000MΩ min.
- 5.Current rating:2A AV/DC
- 6.Withstanding Voltage:800V AC/minute
- 7.Pin Retention Force:15N min.
- 8.Housing material:LCP UL94-V0,Natural
- 9.Terminal materl:Brass,
plating Ni 50u" min , plating Tin 100u"min.
- 10.Solder tab material:Brass,
plating Ni 50u" min , plating Tin 100u"min.

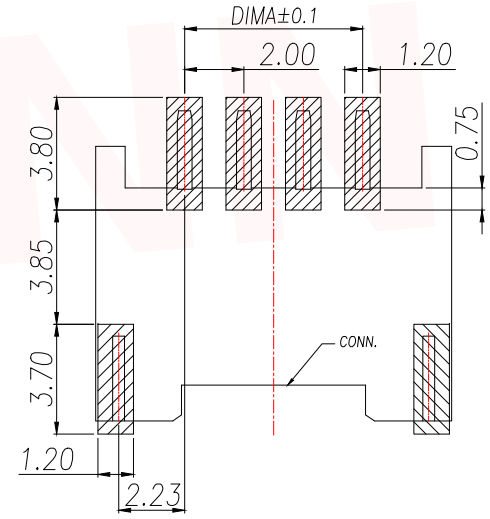
N-0.50 (SQ) 2.00(PITCH)



2 PIN 结构样式
(Structural style)



3 PIN 结构样式
(Structural style)



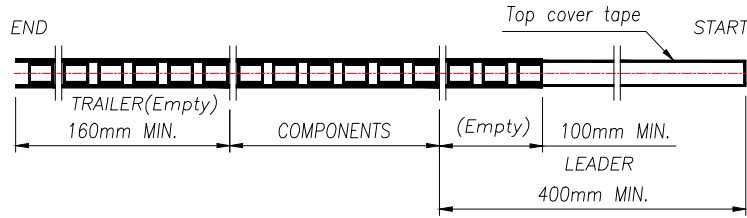
RECOMMENDED PCB LAYOUT TOP VIEW (TOLERANCE:±0.05)

▨ SMT SOLDER AREA

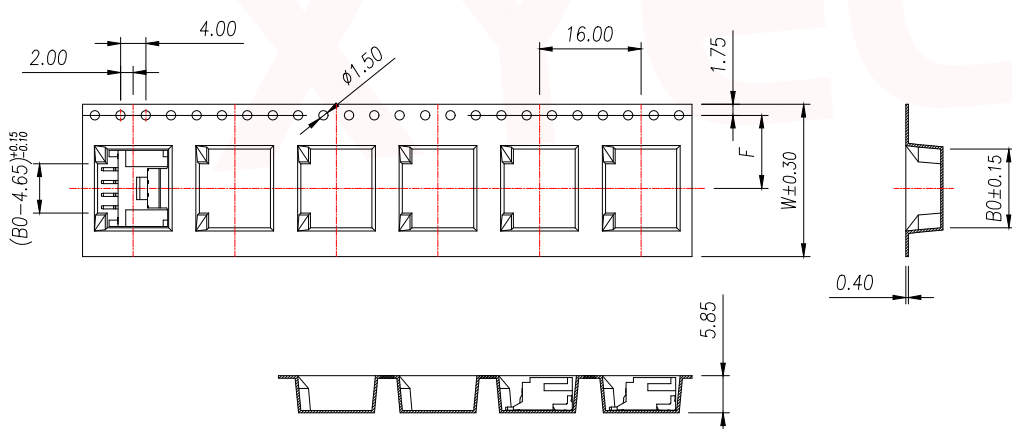
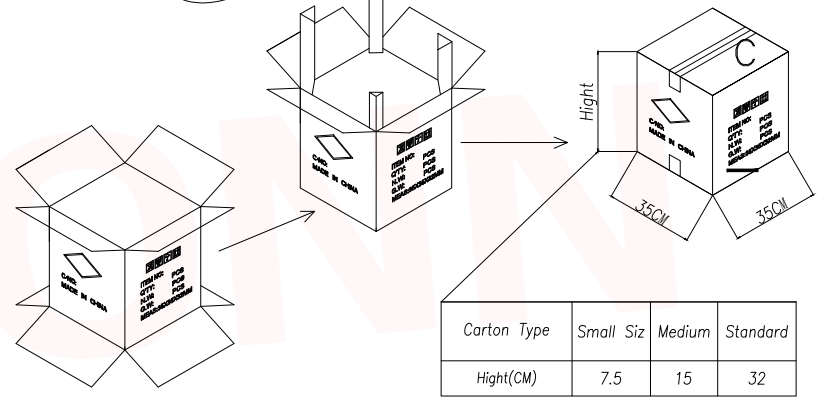
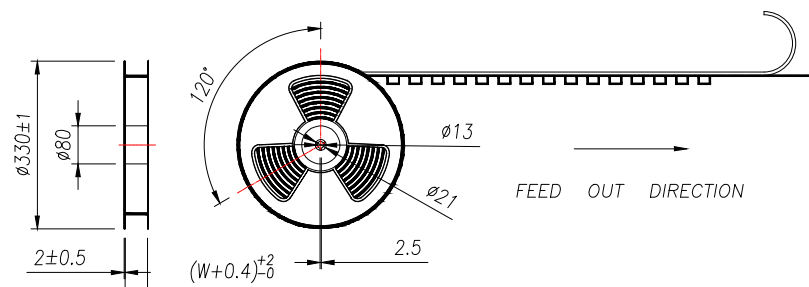
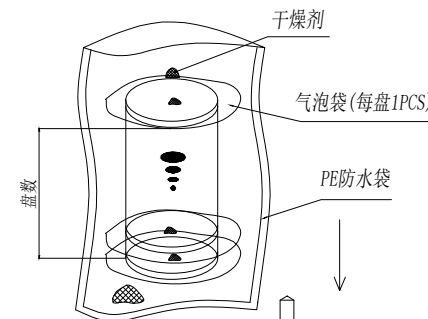
| PIN | NO. | Dim A | Dim B | Dim C |
|-----|----------------|-------|-------|-------|
| 2 | XY-HY2.0-2A61 | 2.00 | 4.90 | 8.00 |
| 3 | XY-HY2.0-3A61 | 4.00 | 6.90 | 10.00 |
| 4 | XY-HY2.0-4A61 | 6.00 | 8.90 | 12.00 |
| 5 | XY-HY2.0-5A61 | 8.00 | 10.90 | 14.00 |
| 6 | XY-HY2.0-6A61 | 10.00 | 12.90 | 16.00 |
| 7 | XY-HY2.0-7A61 | 12.00 | 14.90 | 18.00 |
| 8 | XY-HY2.0-8A61 | 14.00 | 16.90 | 20.00 |
| 9 | XY-HY2.0-9A61 | 16.00 | 18.90 | 22.00 |
| 10 | XY-HY2.0-10A61 | 18.00 | 20.90 | 24.00 |
| 11 | XY-HY2.0-11A61 | 20.00 | 22.90 | 26.00 |
| 12 | XY-HY2.0-12A61 | 22.00 | 24.90 | 28.00 |
| 13 | XY-HY2.0-13A61 | 24.00 | 26.90 | 30.00 |
| 14 | XY-HY2.0-14A61 | 26.00 | 28.90 | 32.00 |
| 15 | XY-HY2.0-15A61 | 28.00 | 30.90 | 34.00 |
| 16 | XY-HY2.0-16A61 | 30.00 | 32.90 | 36.00 |

| DIMENSION IN mm | | TOLERANCE UNLESS OTHERWISE SPECIFIED | | 厦门市辛译精密电子有限公司 Xiamen XinYi Xyconn Electronics Co.,Ltd | |
|-----------------|-----------|--------------------------------------|-----------|--|--------|
| .X±0.35 | X.*± 5° | APR. | Alex | TITLE: WAFER 2.00mm H5.2mm W/ B 90°SMT | |
| .XX±0.25 | .X.*± 3° | CHK. | Jack | DWG NO. XY-HY2.0-NA61 | |
| .XXX±0.15 | .XX.*± 1° | DRA. | Can | PROJ. CUSTOMER DRAWING | |
| | | SIZE A4 | SCALE 1:1 | SHEET 1/3 | REV. A |

| | | | | |
|------|------|----------|------|------|
| REV. | Q'TY | ECN. NO. | APR. | DATE |
| | | | | |



PRELIMINARY DESIGN IS SUBJECT TO CHANGE WITHOUT PRIOR NOTICE

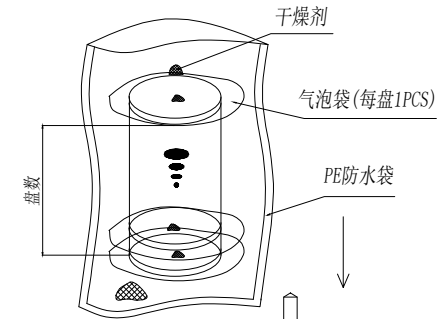
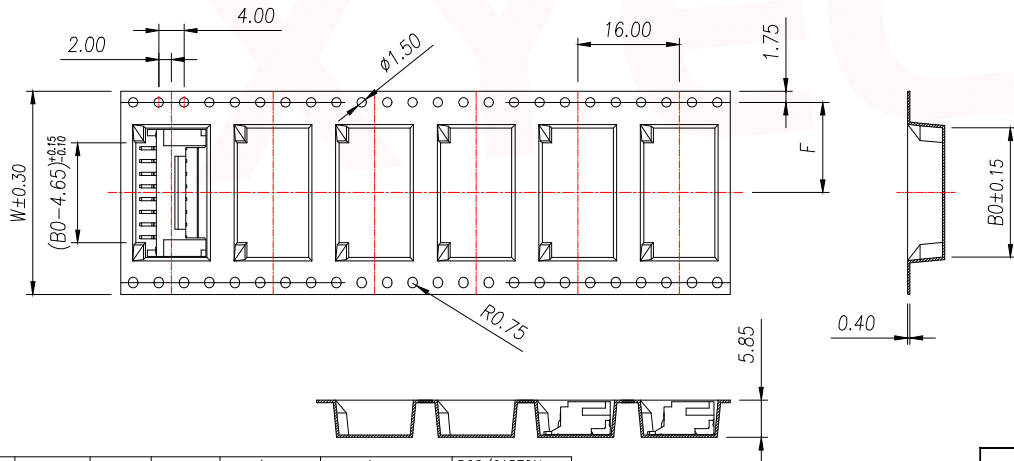
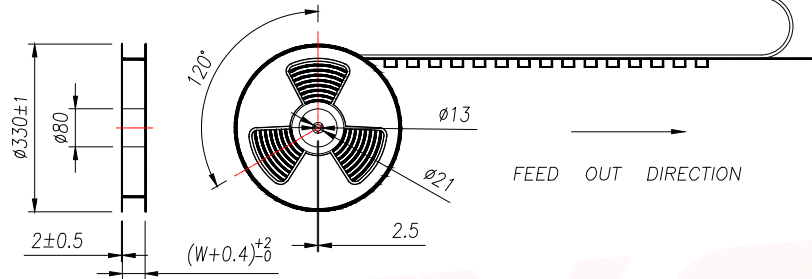
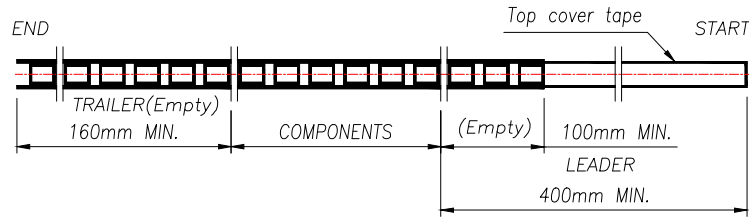


- NOTE:
- 1.10 SPROCKET HOLE PITCH CUMULATIVE TOLERANCE $\pm 0.2\text{mm}$.
 - 2.CARRIER CAMBER NOT TO EXCEED 1mm IN 100mm.
 - 3.ALL DIMENSIONS MEET EIA-481 REQUIREMENTS.
 - 4.MATERIAL: CLEAR ANTISTATIC PS, COLD SEALING.
 - 5.THICKNESS: $0.40 \pm 0.05\text{mm}$.
 - 6.PACKING LENGTH PER REEL: 11.52 METERS.
 - 7.COMPONENT LOAD PER REEL: 700 PCS.

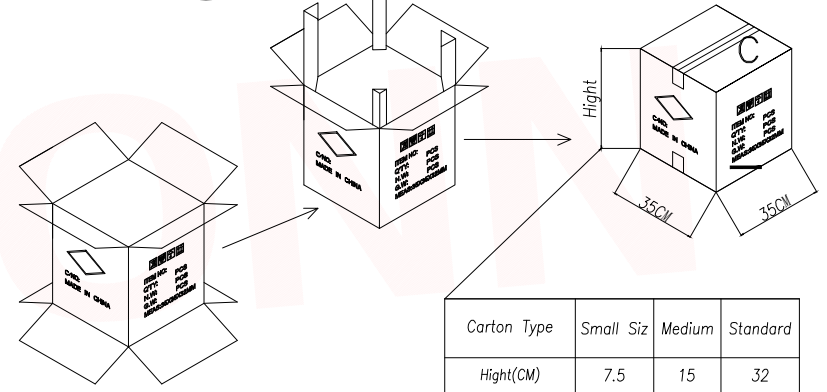
| PIN | NO. | Dim B0 | Dim W | Dim F | PCS/RELL | RELL/CARTON | PCS/CARTON |
|-----|---------------|--------|-------|-------|----------|-------------|------------|
| 2 | XY-HY2.0-NA61 | 8.40 | 16 | 7.5 | 700 | 14 | 9800 |
| 3 | XY-HY2.0-NA61 | 10.40 | 24 | 11.50 | | 10 | 7000 |
| 4 | XY-HY2.0-NA61 | 12.40 | | | | | |
| 5 | XY-HY2.0-NA61 | 14.40 | | | | | |
| 6 | XY-HY2.0-NA61 | 16.40 | | | | | |

| | | | | | |
|--------------------------------------|---------------|--|-----------|--|-----------|
| DIMENSION IN mm | | 厦门市辛译精密电子有限公司 Xiamen XinYi Xyconn Electronics Co.,Ltd | | | |
| TOLERANCE UNLESS OTHERWISE SPECIFIED | | APR. | Alex | TITLE: WAFER 2.00mm H5.2mm W/ B 90°SMT | |
| .X \pm 0.35 | X.* \pm 5* | CHK. | Jack | DWG NO. XY-HY2.0-NA61 | |
| .XX \pm 0.25 | .X* \pm 3* | PROJ. | | CUSTOMER DRAWING | |
| .XXX \pm 0.15 | .XX* \pm 1* | DRA. | Can | SIZE A4 | SCALE 1:1 |
| | | | SHEET 2/3 | REV. A | |

| | | | | |
|------|------|----------|------|------|
| REV. | Q'TY | ECN. NO. | APR. | DATE |
| | | | | |



PRELIMINARY DESIGN IS SUBJECT TO CHANGE WITHOUT PRIOR NOTICE



| Carton Type | Small Siz | Medium | Standard |
|-------------|-----------|--------|----------|
| Hight(CM) | 7.5 | 15 | 32 |

- NOTE:
- 1.10 SPROCKET HOLE PITCH CUMULATIVE TOLERANCE $\pm 0.2\text{mm}$.
 - 2.CARRIER CAMBER NOT TO EXCEED 1mm IN 100mm.
 - 3.ALL DIMENSIONS MEET EIA-481 REQUIREMENTS.
 - 4.MATERIAL: CLEAR ANTISTATIC PS, COLD SEALING.
 - 5.THICKNESS: $0.40 \pm 0.05\text{mm}$.
 - 6.PACKING LENGTH PER REEL: 11.52 METERS.
 - 7.COMPONENT LOAD PER REEL: 700 PCS.

| PIN | NO. | Dim B0 | Dim W | Dim F | PCS/RELL | RELL/CARTON | PCS/CARTON |
|-----|----------------|--------|-------|-------|----------|-------------|------------|
| 7 | XY-HY2.0-7A61 | 18.40 | 32 | 14.2 | 700 | 8 | 5600 |
| 8 | XY-HY2.0-8A61 | 20.40 | | | | | |
| 9 | XY-HY2.0-9A61 | 22.40 | | | | | |
| 10 | XY-HY2.0-10A61 | 24.40 | 44 | 20.2 | 700 | 6 | 4200 |
| 11 | XY-HY2.0-11A61 | 26.40 | | | | | |
| 12 | XY-HY2.0-12A61 | 28.40 | | | | | |
| 13 | XY-HY2.0-13A61 | 30.40 | | | | | |
| 14 | XY-HY2.0-14A61 | 32.40 | 56 | 26.2 | 700 | 5 | 3500 |
| 15 | XY-HY2.0-15A61 | 34.40 | | | | | |
| 16 | XY-HY2.0-16A61 | 36.40 | | | | | |

| DIMENSION IN mm | | TOLERANCE UNLESS OTHERWISE SPECIFIED | | 厦门市辛译精密电子有限公司 Xiamen XinYi Xyecomm Electronics Co.,Ltd | | | |
|-----------------|-----------------|--------------------------------------|--------|---|--|------------------|--|
| .X ± 0.35 | X.* $\pm 5^*$ | APR. | Alex | TITLE: WAFER 2.00mm H5.2mm W/ B 90°SMT | | | |
| .XX ± 0.25 | .X.* $\pm 3^*$ | CHK. | Jack | DWG NO. XY-HY2.0-NA61 | | | |
| .XXX ± 0.15 | .XX.* $\pm 1^*$ | DRA. | Can | PROJ. | | CUSTOMER DRAWING | |
| SIZE A4 | SCALE 1:1 | SHEET 3/3 | REV. A | | | | |

X-ON Electronics

Largest Supplier of Electrical and Electronic Components

Click to view similar products for [Headers & Wire Housings](#) category:

Click to view products by [XYECONN](#) manufacturer:

Other Similar products are found below :

[0015917161](#) [0022155065](#) [57102-F02-18ULF](#) [58102-G61-06LF](#) [582553-1](#) [01.001.5753.1](#) [0050291907](#) [02.125.8002.8](#) [609-3404](#) [61062-3](#)
[CSU011177004](#) [622-0430](#) [622-3653LF](#) [63453-116](#) [636-1030](#) [636-1427](#) [636-3427](#) [636-4007](#) [641938-9](#) [65495-038](#) [65692-001LF](#) [65781-018](#)
[65781-047](#) [65817-010LF](#) [65817-015LF](#) [67095-007LF](#) [67601157](#) [68631-112](#) [68645-018](#) [699319-000](#) [70.362.1628.0](#) [70-4210](#) [70-4226B](#) [70-](#)
[4853B](#) [71.350.2428.0](#) [733-134](#) [733-162](#) [760-3052](#) [MHR-64-VUAL](#) [80.063.4001.1](#) [800-90-001-10-001000](#) [801-43-002-10-013000](#)
[801-43-006-10-002000](#) [803-43-024-10-001000](#) [803-93-012-10-001000](#) [8-1437020-4](#) [819-22-004-30-001101](#) [820-22-006-30-001101](#)
[820-22-008-30-001101](#) [821-22-002-10-001101](#)