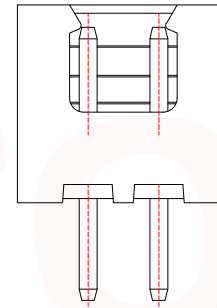
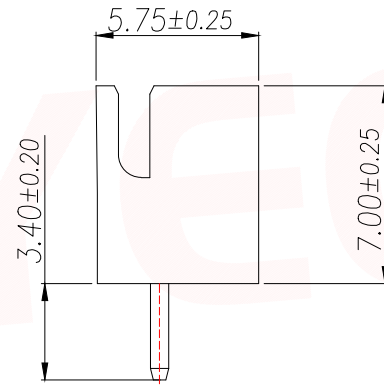
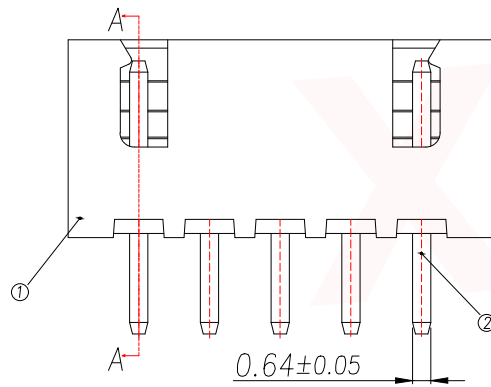
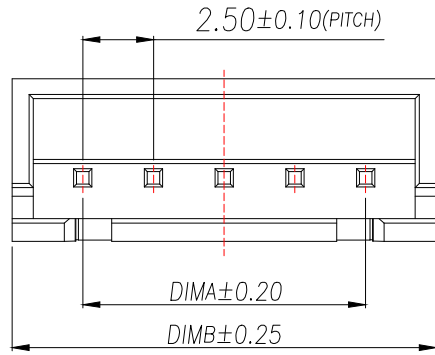


| | | | | |
|------|------|----------|------|------|
| REV. | Q'TY | ECN. NO. | APR. | DATE |
| | | | | |

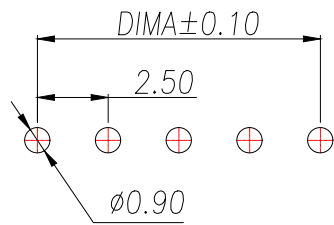
Technical Index:

1. Temperature range: $-25^{\circ}\text{C}\sim 85^{\circ}\text{C}$.
2. Rated voltage: 250V DC/AC(rms).
3. Rated current: 3.0A.
4. Contact resistance: $\leq 20\text{m}\Omega$.
5. Withstanding voltage: 1000V AC/minute.
6. Insulation resistance: $\geq 1000\text{M}\Omega$.

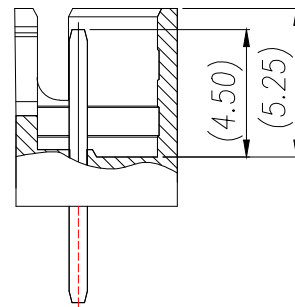
| Part No | Pin | A | B |
|-------------------|-----|------|------|
| XY-XH2.54-2A11-R | 2 | 2.5 | 7.5 |
| XY-XH2.54-3A11-R | 3 | 5.0 | 10.0 |
| XY-XH2.54-4A11-R | 4 | 7.5 | 12.5 |
| XY-XH2.54-5A11-R | 5 | 10.0 | 15.0 |
| XY-XH2.54-6A11-R | 6 | 12.5 | 17.5 |
| XY-XH2.54-7A11-R | 7 | 15.0 | 20.0 |
| XY-XH2.54-8A11-R | 8 | 17.5 | 22.5 |
| XY-XH2.54-9A11-R | 9 | 20.0 | 25.0 |
| XY-XH2.54-10A11-R | 10 | 22.5 | 27.5 |
| XY-XH2.54-11A11-R | 11 | 25.0 | 30.0 |
| XY-XH2.54-12A11-R | 12 | 27.5 | 32.5 |
| XY-XH2.54-13A11-R | 13 | 30.0 | 35.0 |
| XY-XH2.54-14A11-R | 14 | 32.5 | 37.5 |
| XY-XH2.54-15A11-R | 15 | 35.0 | 40.0 |
| XY-XH2.54-16A11-R | 16 | 37.5 | 42.5 |



2 Pin样式



适用线路板(PCB LAYOUT)



SECTION A-A

| 序号 | 品名 | 材质 |
|----|-----------|-----------------|
| 1 | 基座Wafer | PA66 UL94V-2 红色 |
| 2 | 端子Contact | 铜合金/镀锡 |

| DIMENSION IN mm | | TOLERANCE UNLESS OTHERWISE SPECIFIED | | 厦门市辛译精密电子有限公司 Xiamen XinYi Xyecomm Electronics Co.,Ltd | | | |
|-----------------|----------|--------------------------------------|-----------|---|------------------|---|--|
| .X±0.35 | X.*± 5° | APR. | Alex | TITLE: WAFER 2.54 180° DIP 红色 | | | |
| .XX±0.25 | .X*± 3° | CHK. | Jack | DWG NO. XY-XH2.54-NA11-R | | | |
| .XXX±0.15 | .XX*± 1° | DRA. | Can | PROJ. | CUSTOMER DRAWING | | |
| | | SIZE A4 | SCALE 1:1 | SHEET 1/1 | REV. | A | |

X-ON Electronics

Largest Supplier of Electrical and Electronic Components

Click to view similar products for [Headers & Wire Housings](#) category:

Click to view products by [XYECONN](#) manufacturer:

Other Similar products are found below :

[0015917161](#) [0022155065](#) [57102-F02-18ULF](#) [58102-G61-06LF](#) [582553-1](#) [01.001.5753.1](#) [0050291907](#) [02.125.8002.8](#) [609-3404](#) [61062-3](#)
[CSU011177004](#) [622-0430](#) [622-3653LF](#) [63453-116](#) [636-1030](#) [636-1427](#) [636-3427](#) [636-4007](#) [641938-9](#) [65495-038](#) [65692-001LF](#) [65781-018](#)
[65781-047](#) [65817-010LF](#) [65817-015LF](#) [67095-007LF](#) [67601157](#) [68631-112](#) [68645-018](#) [699319-000](#) [70.362.1628.0](#) [70-4210](#) [70-4226B](#) [70-](#)
[4853B](#) [71.350.2428.0](#) [733-134](#) [733-162](#) [MHR-64-VUAL](#) [80.063.4001.1](#) [800-90-001-10-001000](#) [801-43-002-10-013000](#) [801-43-006-10-](#)
[002000](#) [803-43-024-10-001000](#) [803-93-012-10-001000](#) [8-1437020-4](#) [819-22-004-30-001101](#) [820-22-006-30-001101](#) [820-22-008-30-001101](#)
[821-22-002-10-001101](#) [821-22-003-10-002101](#)