

DATA SHEET

GAS TUBE – 2RP***L-8 SERIES

FEATURES

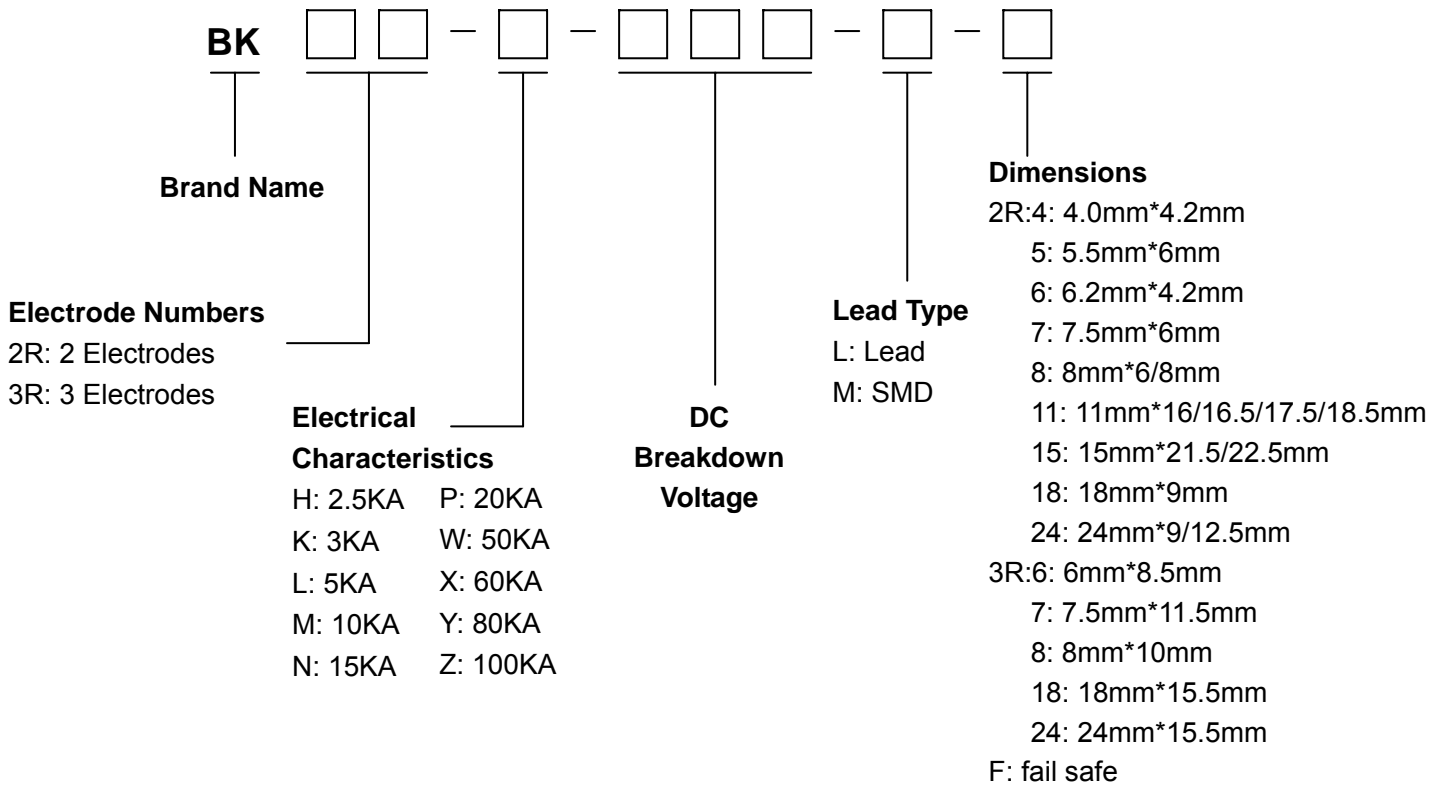
- ◇ Provide ultra-fast response to surge voltage from slow-rising surge of 100V/s to rapid-rising surge of 1KV/μs.
- ◇ Stable breakdown voltage.
- ◇ High insulation resistance.
- ◇ Low capacitance (<2pF).
- ◇ High holdover voltage.
- ◇ Large absorbing transient current capability.
- ◇ SIZE:8*6mm



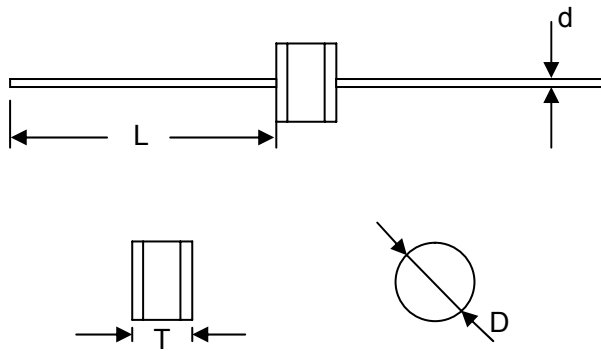
APPLICATION

- ◇ Repeaters, Modems.
- ◇ Telephone Interface, Line cards.
- ◇ Data communication equipment.
- ◇ Line test equipment.

PART NUMBER CODE



PACKAGE DIMENSIONS



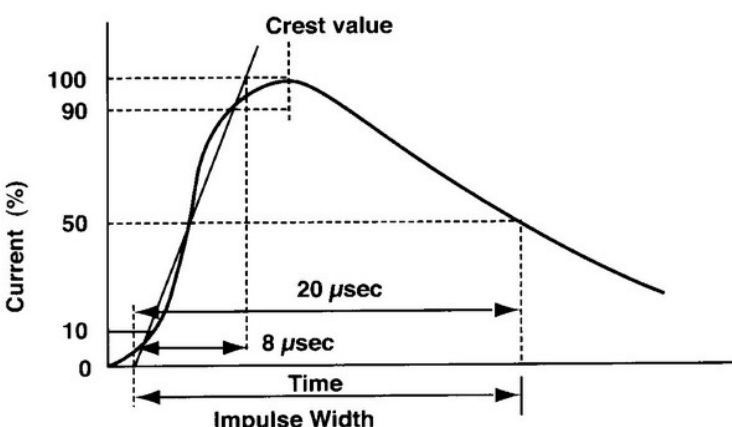
unit :mm

Items	Dimension	
	Spec.	Tolerance
D	8.0	±0.3
T	6.0	±0.3
d	0.8	±0.05
L	30.0	Max.

ELECTRICAL CHARACTERISTIC

Part Number	Impulse Spark-over Voltage	Maximum Impulse Spark-over Voltage	Maximum Surge Discharge Current	AC Discharge Current	Impulse Life	Minimum Insulation Resistance		Maximum Capacitance
	100V/s	1KV/ μ s	8/20 μ s, 10 times	50Hz, 1sec	10/1000 μ s, 100A	Test Voltage	(G Ω)	1MHz
	(V)	(V)	(KA)	(A)	(times)	DC(V)		(pf)
2RP075L-8	75 ±20%	600	20	20	500	50	1.0	1.5
2RP090L-8	90 ±20%	600	20	20	500	50	1.0	1.5
2RP145L-8	145 ±20%	700	20	20	500	50	1.0	1.5
2RP150L-8	150 ±20%	700	20	20	500	100	1.0	1.5
2RP230L-8	230 ±20%	700	20	20	500	100	1.0	1.5
2RP250L-8	250 ±20%	700	20	20	500	100	1.0	1.5
2RP300L-8	300 ±20%	900	20	20	500	100	1.0	1.5
2RP350L-8	350 ±20%	900	20	20	500	100	1.0	1.5
2RP400L-8	400 ±20%	1000	20	20	500	100	1.0	1.5
2RP470L-8	470 ±20%	1100	20	20	500	250	1.0	1.5
2RP600L-8	600 ±20%	1300	20	20	500	250	1.0	1.5
2RP800L-8	800 ±20%	1500	20	20	500	250	1.0	1.5

ELECTRICAL RATING

Item	Test Condition / Description	Requirement
DC Breakdown Voltage	The voltage is measured with a low rate of rise $dv / dt=100V/s$	
Maximum Impulse Breakdown Voltage	The maximum impulse breakdown voltage is measured with a rise time of $dv / dt=1000V/\mu s$	
Maximum Impulse Discharge Current	<p>The maximum current within gas tube voltage charge of $\pm 20\%$ when one impulse is applied. Applied waveform : 8/20μ sec</p> 	To meet the specified value
Maximum AC Discharge Current	Rated rms value of AC current at 50Hz, 1sec. Requirements of intervals:3 min	
Insulation Resistance	The resistance of gas tube shall be measured each terminal each other terminal. Please see above spec	
Capacitance	The capacitance of gas tube shall be measured each terminal to each other terminal. Test frequency :1MHz	

X-ON Electronics

Largest Supplier of Electrical and Electronic Components

Click to view similar products for [Gas Discharge Tubes - GDTs / Gas Plasma Arrestors](#) category:

Click to view products by [Yageo](#) manufacturer:

Other Similar products are found below :

[PMT1023004](#) [PMT1025001](#) [PMT1035004](#) [PMT1040004](#) [PMT809006](#) [CG2250](#) [CG2800](#) [CG31.5L](#) [GT-SMD181240012-TR](#) [WPGT-2N145B6L](#) [WPGT-2N230B6L](#) [WPGT-2N470B6L](#) [WPGT-2R470B6L](#) [WPGT-2RM230A6L](#) [WPGT-2RM350A6L](#) [WPGT-2RM70A6L](#) [WPGT-2RM90A6L](#) [WPGT-2S145](#) [WPGT-2S350](#) [WPGT-2S470](#) [WPGT-3R350CF](#) [WPGT-3R350G1](#) [WPGT-3R90G1](#) [WPGT-3R75G1](#) [WPGT-3R470G1](#) [WPGT-3R250C](#) [WPGT-3R230G1](#) [WPGT-2S230](#) [WPGT-2RM470A6L](#) [WPGT-2RM145A6L](#) [WPGT-2R3000B8L](#) [WPGT-2R2700B8L](#) [WPGT-2R1000B8L](#) [WPGT-2N90B6L](#) [WPGT-2N70B6L](#) [WPGT-2N350B6L](#) [WPGT-2N230B6L1](#) [CG90](#) [CG2230](#) [CG2145](#) [CG21000](#) [GT-SMD181215012-TR](#) [T61-C350X](#) [9071.99.0547 \(73_Z-0-0-547\)](#) [B88069X6940B152](#) [9071.99.0052\(73_Z-0-0-52\)](#)
[B88069X1973T902](#) [A9L15692](#) [C50-0-255](#) [A9L16294](#)