

# DATA SHEET

## WIRELESS COMPONENTS

Ceramic Chip Antenna

ANT1204LL16R0870A

870 MHz

1204 Series



FEATURES

- Compact size
- Omni-directional Radiation
- Tape & reel automatic mounting
- Reflow process compatible
- RoHS compliant

APPLICATIONS

- Smart meter
- Industrial remote control
- ISM band equipment

ORDERING INFORMATION

All part numbers are identified by the series, packing type, material, size, antenna type, working frequency and packing quantity.

**PART NUMBER**

**ANT 1204 L L16 R 0870A**  
 (1) (2) (3) (4) (5) (6)

---

**(1) PRODUCT**

ANT = Antenna

---

**(2) SIZE**

1204 = 12 x 4 mm

---

**(3) ANTENNA TYPE**

L,F,A = Chip Antenna

---

**(4) SERIAL NO.**

L16

---

**(5) PACKING STYLE**

R = Tape and Reel

---

**(6) WORKING FREQUENCY**

0870 = 870 MHz

---

**PHYCOMP CTC**

CAN4311759160871K

---

**I2NC**

431175916087

---

**SPECIFICATION**

Table I

DESCRIPTION	VALUE
Centre Frequency	870 MHz
Bandwidth	15 MHz (Typ.)
Return Loss	6.49 dB min
Polarization	Linear
Azimuth Beamwidth	Omni-directional
Peak Gain	1.05dBi
Impedance	50 Ω
Operating Temperature	- 40~105 °C
Maximum Power	1 W
Termination	Ni / Sn (Environmentally-Friendly Leadless)
Resistance to Soldering Heats	260°C , 10sec.

**NOTE**

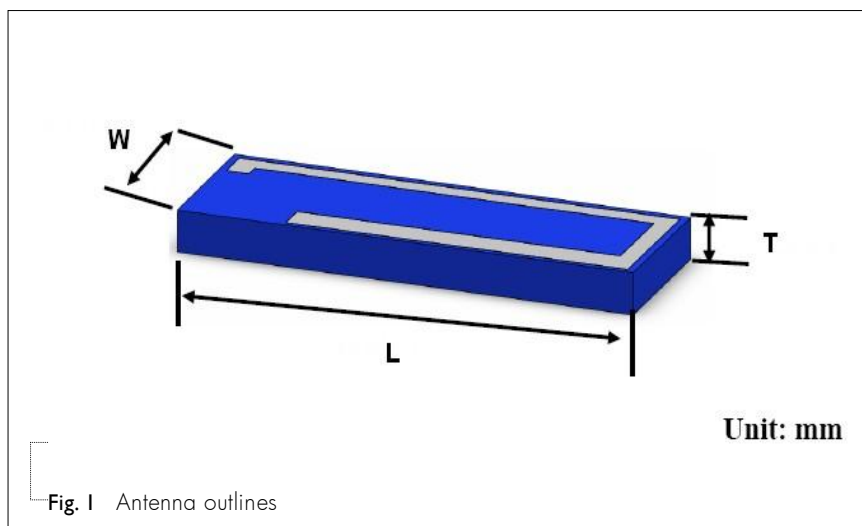
I. The specification is defined on Yageo evaluation board

**OUTLINES**

**DIMENSIONS**

Table 2 Machinical Dimension

	DIMENSION
L (mm)	12.0±0.10
W (mm)	4.0±0.10
T (mm)	1.20±0.10



REFERENCE DESIGN OF EVALUATION BOARD

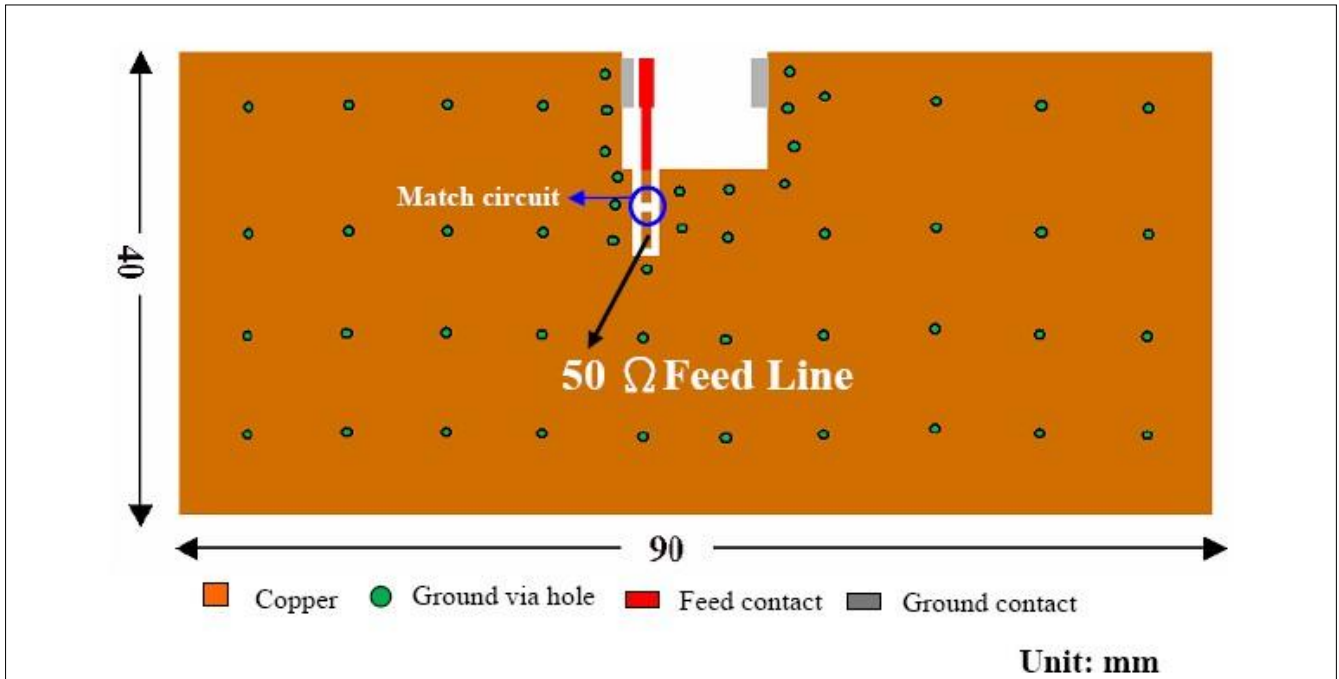


Fig. 2 Outlook and dimension of evaluation board

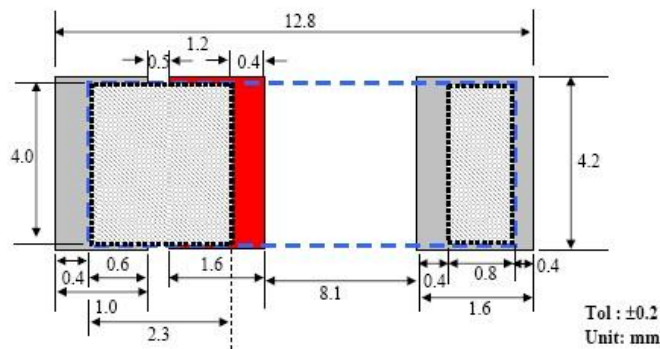
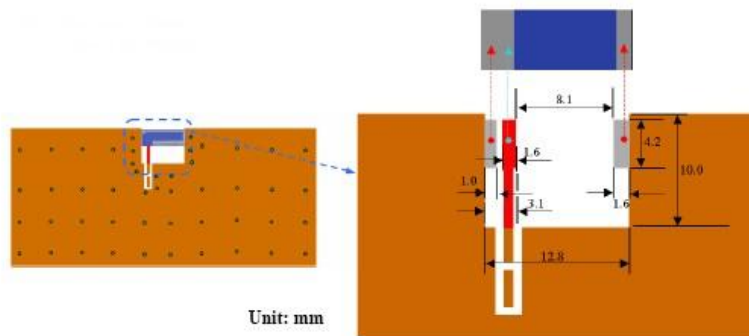
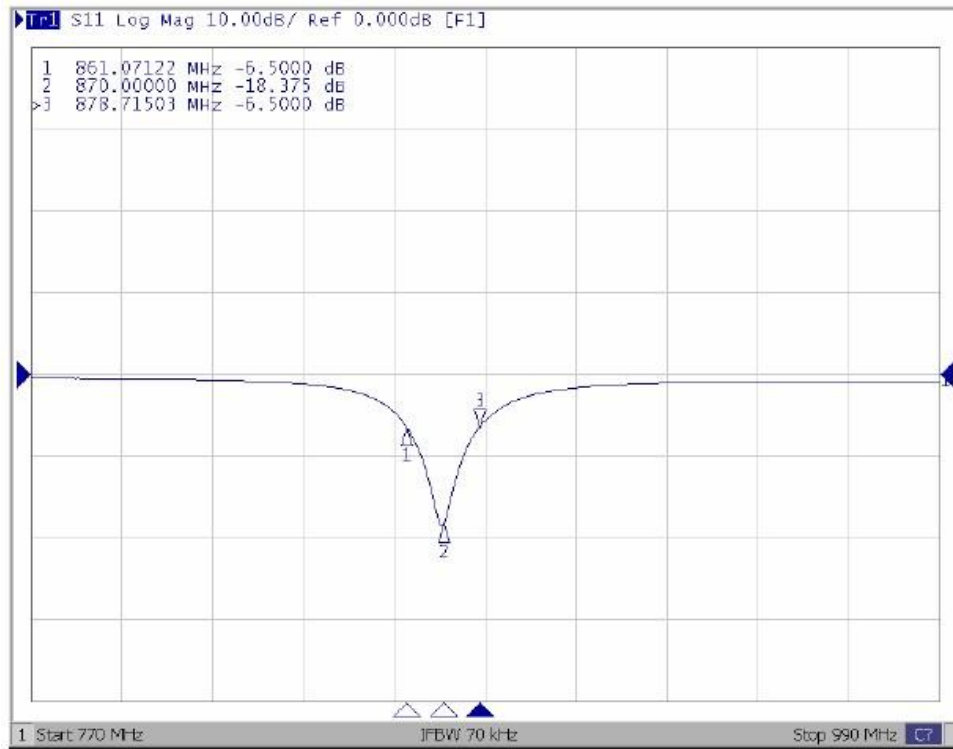


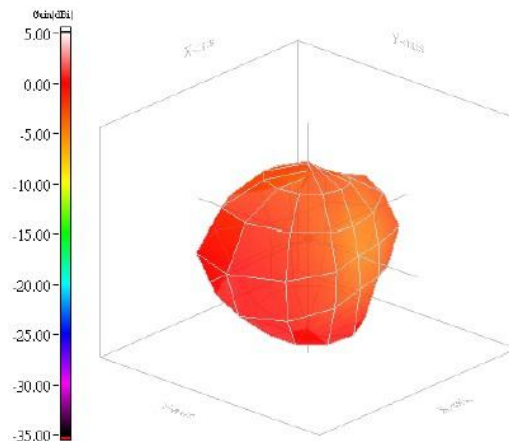
Fig. 3 Details of soldering Pad

**ELECTRICAL PERFORMANCES**



**Fig. 4** Return loss

Model name:  Test mode:   
 Test frequency / Polarization:  Test date:



Max gain= 1.05dBi, at (180, 120)  
 MEC(mean effective gain)= -1.80dBi  
 Directivity(dB)= 3.38  
 Efficiency= -2.33dB, 58.49%

**Fig. 5** Radiation pattern

**REVISION HISTORY**

REVISION	DATE	CHANGE NOTIFICATION	DESCRIPTION
Version 0	Ma. 28, 2016 -		- New data sheet for Ceramic Chip Antenna, 870MHz, size 12 × 4 mm

## X-ON Electronics

Largest Supplier of Electrical and Electronic Components

*Click to view similar products for [Antennas](#) category:*

*Click to view products by [Yageo](#) manufacturer:*

Other Similar products are found below :

[CCT FM1](#) [ABFT](#) [AD-NM-SMAF 001-0021](#) [CTC110](#) [MAF94149](#) [EXE902SF](#) [MMCX-SMA-100](#) [PDQ24496-91NF](#) [GAN30084EU](#) [930-033-R](#) [A08-HABUF-P5I](#) [AAF95035](#) [DG-ANT-20DP-BG-B](#) [APAMPGJ-141](#) [1513563-1](#) [OF86315-FNF](#) [OP24516DS-91NM](#) [A09-HASM-7](#) [EXE902MD](#) [EXE902SM](#) [SPDA17806/2170LAR](#) [APAMPG-117](#) [GPS1575SP26-004](#) [GPS15MGSMA](#) [CMD69273P-30NF](#) [CMQ69273-30NF](#) [RD2458-5-OTDR-NM](#) [RD2458-5-RSMA](#) [TRAB24/49003](#) [W4120ER5000](#) [W6102B0100](#) [YE572113-30RSMM](#) [108-00014-50](#) [SPDA17RP918](#) [OP24516SX-91NM](#) [OP24516SX-91RSMM](#) [CMQ69273P-30NF](#) [CMS69273-30NF](#) [CMS69273P-30NF](#) [TRAB24003N](#) [TRAB24003NP](#) [TRAB8213NP](#) [TRAB8903](#) [A09-Y8NF](#) [A09-Y11NF](#) [A09-HSM-7](#) [A09-F8NF-M](#) [A09-F5NF-M](#)