

# DATA SHEET

WIRELESS COMPONENTS

Ceramic Chip Antenna

ANT5320LL45R2400A

2.4 – 2.5 GHz

5320 Series



FEATURES

- Compact size
- Omni-directional radiation
- Tape & reel automatic mounting
- Reflow process compatible
- RoHS compliant

APPLICATIONS

- 2.4 GHz WiFi device
- Bluetooth gadget
- Zigbee device
- ISM band equipment

ORDERING INFORMATION

All part numbers are identified by the series, packing type, material, size, antenna type, working frequency and packing quantity.

**PART NUMBER**

**ANT 5320 L L45 R 2400A**  
(1) (2) (3) (4) (5) (6)

---

**(1) PRODUCT**

ANT = Antenna

---

**(2) SIZE**

5320 = 5.3 × 2 mm

---

**(3) ANTENNA TYPE**

L,F,A = Chip Antenna

---

**(4) SERIAL NO.**

L45

---

**(5) PACKING TYPE**

R = Tape and Reel

---

**(6) WORKING FREQUENCY**

2400 = 2.4GHz

---

**PHYCOMP CTC**

CAN4311753452451K

---

**I2NC**

431175345245

---

**SPECIFICATION**

Table 1

| DESCRIPTION                   | VALUE                                       |
|-------------------------------|---|
| Centre Frequency              | 2.45 GHz                                    |
| Bandwidth                     | 240 MHz (Typ.)                              |
| Return Loss                   | 10 dB min                                   |
| Polarization                  | Linear                                      |
| Azimuth Beamwidth             | Omni-directional                            |
| Peak Gain                     | 5.22 dBi (Typ.)                             |
| Impedance                     | 50Ω   |
| Operating Temperature         | -40~105 °C                                  |
| Maximum Power                 | 1W  |
| Termination                   | Ni / Sn (Environmentally-Friendly Leadless) |
| Resistance to Soldering Heats | 260°C , 10sec.                              |

**NOTE**

I. The specification is defined on Yageo evaluation board

**DIMENSIONS**

Table 2 Machinical Dimension

|        | DIMENSION  |
|--------|------------|
| L (mm) | 5.30 ±0.20 |
| W (mm) | 2.00 ±0.20 |
| T (mm) | 1.30 ±0.20 |
| C (mm) | 0.30 ±0.20 |

Table 3 Termination configuration

| TERMINAL NAME | FUNCTION        |
|---------------|-----------------|
| S1            | Feeding Point   |
| S2            | Soldering Point |

**OUTLINES**

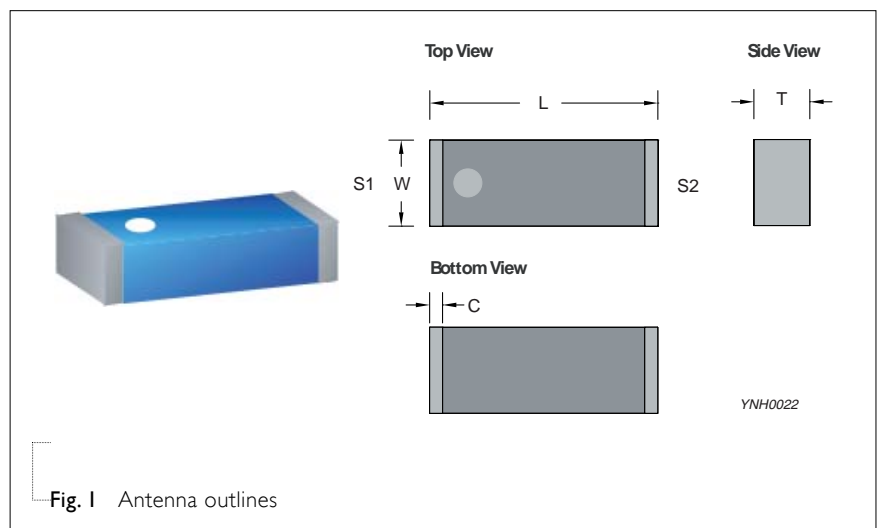
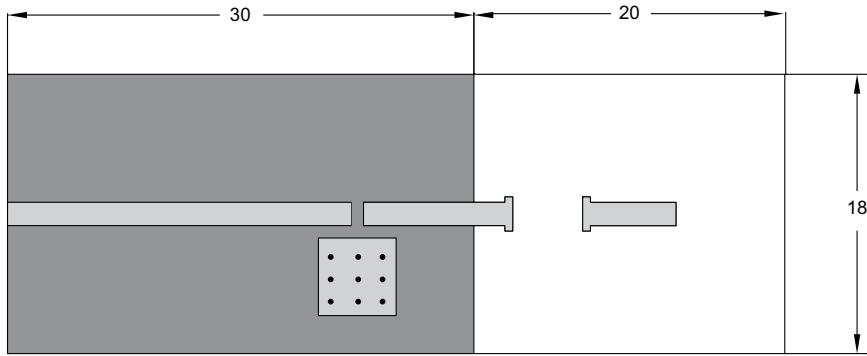


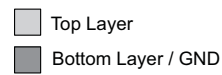
Fig. I Antenna outlines

**REFERENCE DESIGN OF EVALUATION BOARD**

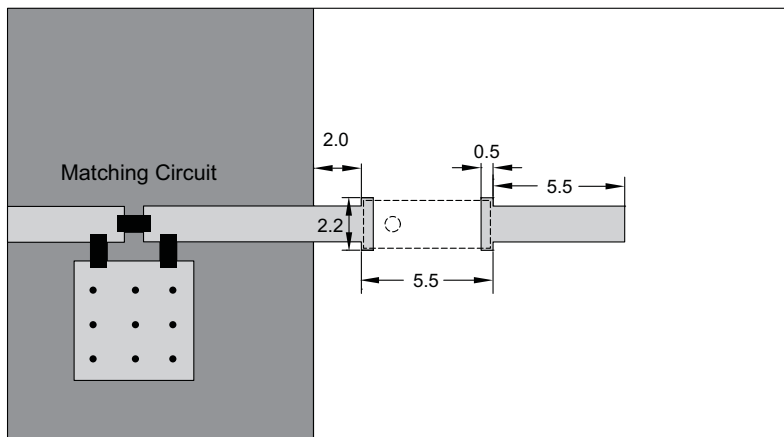


Unit : mm

**Fig. 2** Outlook and dimension of evaluation board



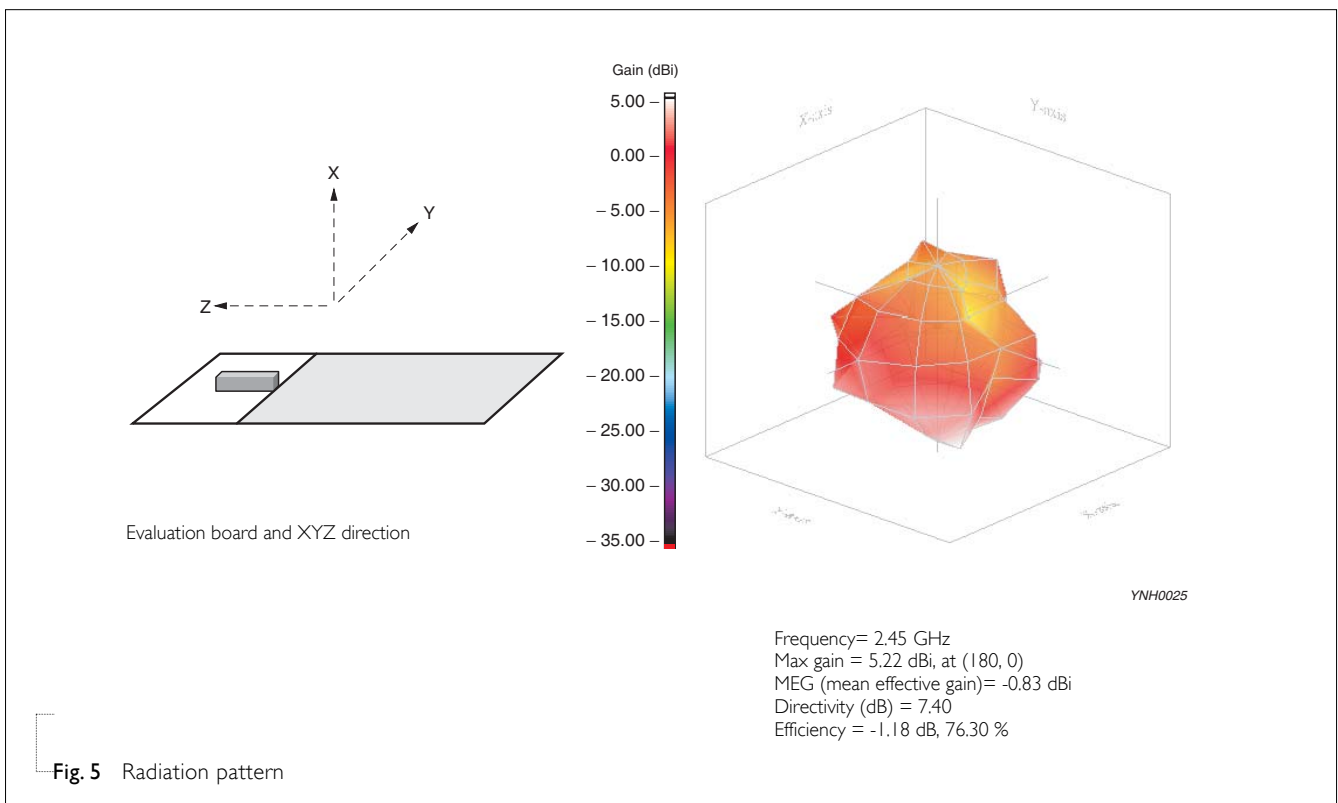
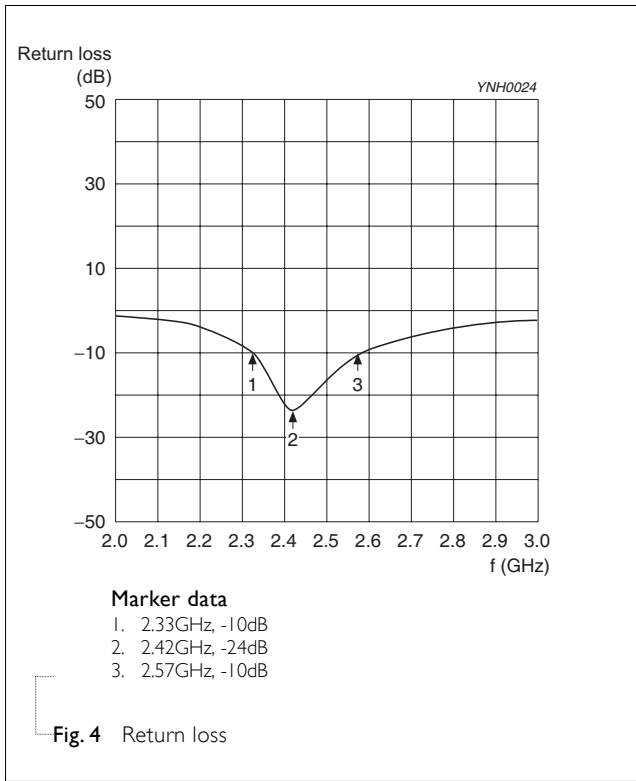
Unit : mm



YNH0023

**Fig. 3** Details of soldering Pad

**ELECTRICAL PERFORMANCES**



REVISION HISTORY

| REVISION  | DATE          | CHANGE NOTIFICATION | DESCRIPTION  |
|-----------|---------------|---------------------|--|
| Version 0 | Mar. 27, 2013 | -                   | - New datasheet for Ceramic Chip Antenna, 2.4 - 2.5 GHz application, 5320 Series |

## X-ON Electronics

Largest Supplier of Electrical and Electronic Components

*Click to view similar products for [Antennas category](#):*

*Click to view products by [Yageo manufacturer](#):*

Other Similar products are found below :

[CCT FM1](#) [ABFT](#) [AD-NM-SMAF 001-0021](#) [CTC110](#) [MAF94149](#) [EXE902SF](#) [MMCX-SMA-100](#) [PDQ24496-91NF](#) [GAN30084EU](#) [930-033-R](#) [A08-HABUF-P5I](#) [AAF95035](#) [DG-ANT-20DP-BG-B](#) [APAMPGJ-141](#) [1513563-1](#) [OF86315-FNF](#) [OP24516DS-91NM](#) [A09-HASM-7](#) [EXE902MD](#) [EXE902SM](#) [SPDA17806/2170LAR](#) [APAMPG-117](#) [GPS1575SP26-004](#) [GPS15MGSMA](#) [CMD69273P-30NF](#) [CMQ69273-30NF](#) [RD2458-5-OTDR-NM](#) [RD2458-5-RSMA](#) [TRAB24/49003](#) [W4120ER5000](#) [W6102B0100](#) [YE572113-30RSMM](#) [108-00014-50](#) [SPDA17RP918](#) [OP24516SX-91NM](#) [OP24516SX-91RSMM](#) [CMQ69273P-30NF](#) [CMS69273-30NF](#) [CMS69273P-30NF](#) [TRAB24003N](#) [TRAB24003NP](#) [TRAB8213NP](#) [TRAB8903](#) [A09-Y8NF](#) [A09-Y11NF](#) [A09-HSM-7](#) [A09-F8NF-M](#) [A09-F5NF-M](#)