

DATA SHEET

WIRELESS COMPONENTS

Ceramic Chip Antenna

ANT6230LL01R1575A

GPS

6230 Series



FEATURES

- Compact size
- High radiation efficiency
- Reflow process compatible
- RoHS compliant

APPLICATIONS

- Tablet
- Navigation device
- Telematics box
- Fleet management

ORDERING INFORMATION

All part numbers are identified by the series, packing type, material, size, antenna type, working frequency and packing quantity.

PART NUMBER

ANT 6230 L L01 R 1575A

(1) (2) (3) (4) (5) (6)

(1) PRODUCT

ANT = Antenna

(2) SIZE

6230 = 6.2 × 3.0 mm

(3) ANTENNA TYPE

L,F,A = Chip Antenna

(4) SERIAL NO.

L01

(5) PACKING STYLE

R = Tape and Reel

(6) WORKING FREQUENCY

1575 = 1.575GHz

PHYCOMP CTC

CAN4311763011582K

I2NC

431176301158

SPECIFICATION

Table 1

DESCRIPTION	VALUE
Centre Frequency	1.575GHz
Bandwidth	55 MHz(Typ.)
Return Loss	10 dB (min)
Polarization	Linear
Azimuth Beamwidth	Omni-directional
Peak Gain	2.52 dBi(Typ.)
Impedance	50 Ω
Operating Temperature	- 40~105 °C
Maximum Power	1 W
Termination	Ni / Sn (Environmentally-Friendly Leadless)
Resistance to Soldering Heats	260°C , 10sec.

NOTE

I. The specification is defined on Yageo evaluation board

DIMENSIONS

Table 2 Machinical Dimension

	DIMENSION
L (mm)	6.15 ±0.25
W (mm)	3.00 ±0.25
T (mm)	1.25 ±0.15
A (mm)	0.50 ±0.20

OUTLINES

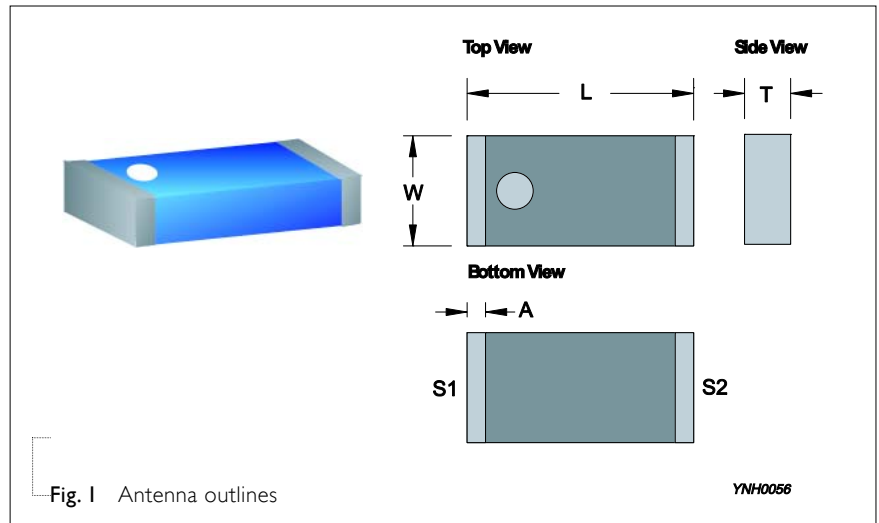


Table 3 Termination configuration

TERMINAL NAME	FUNCTION
S1	Feeding Point
S2	Soldering Point

REFERENCE DESIGN OF EVALUATION BOARD

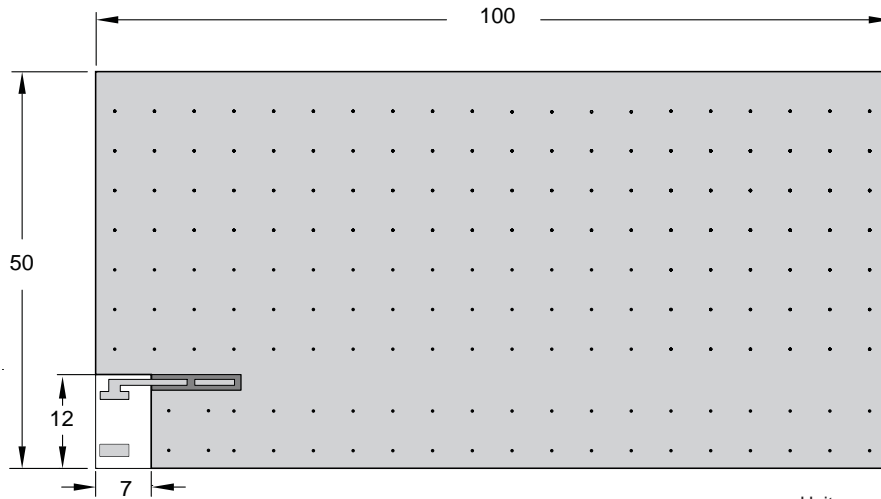
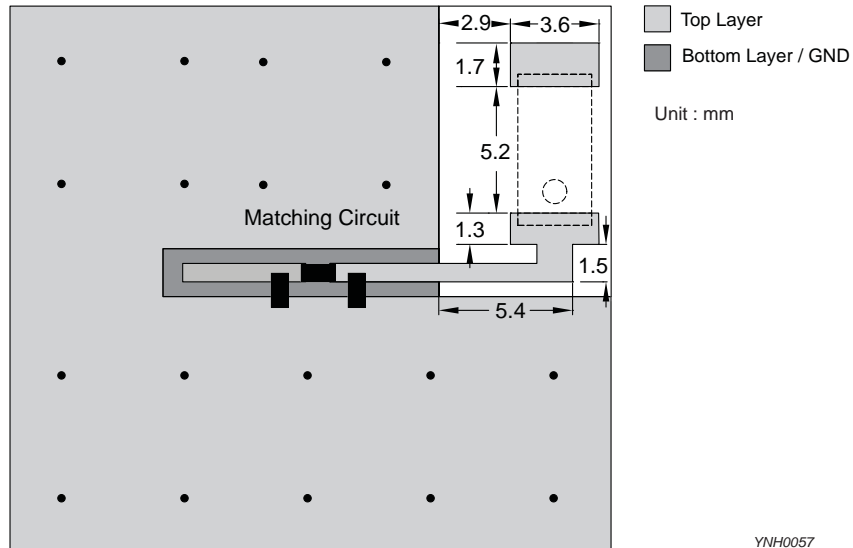


Fig. 3 Outlook and dimension of evaluation board

Unit : mm

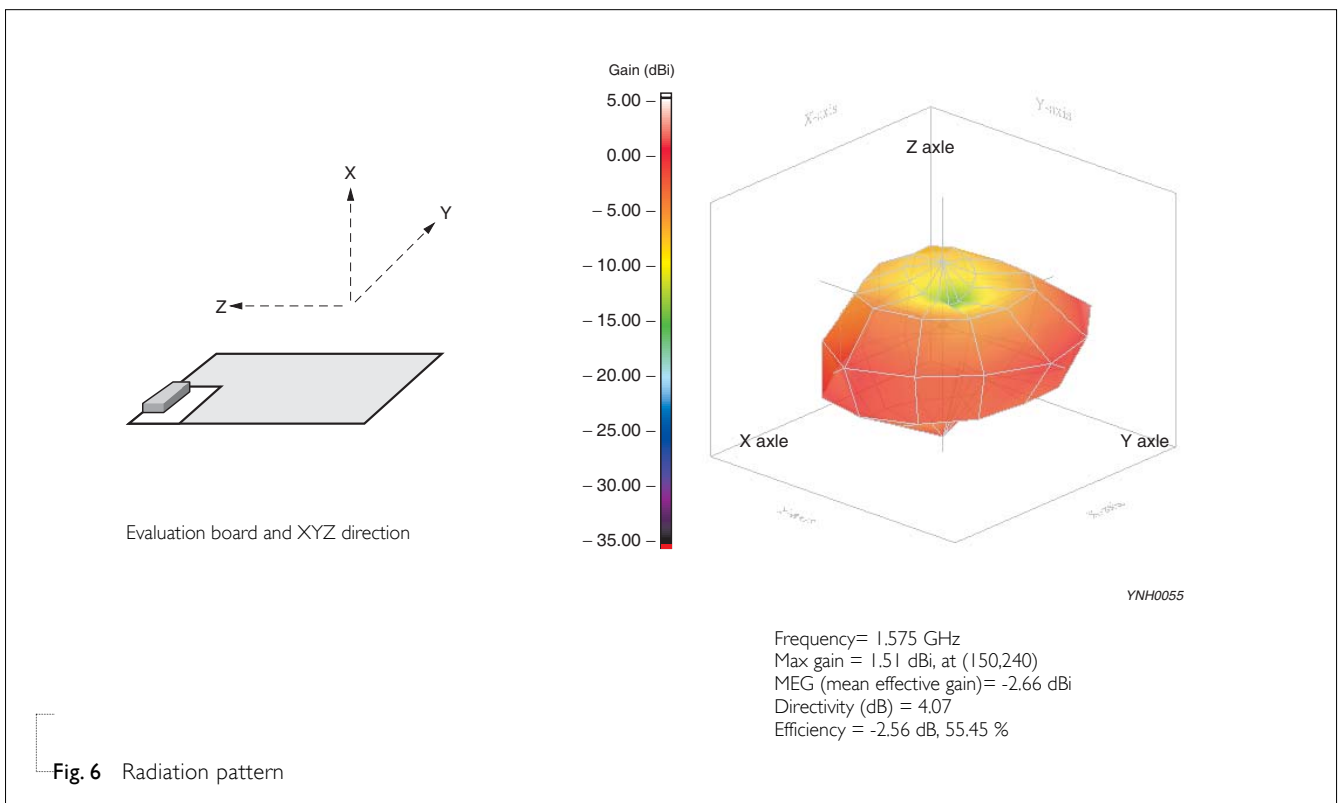
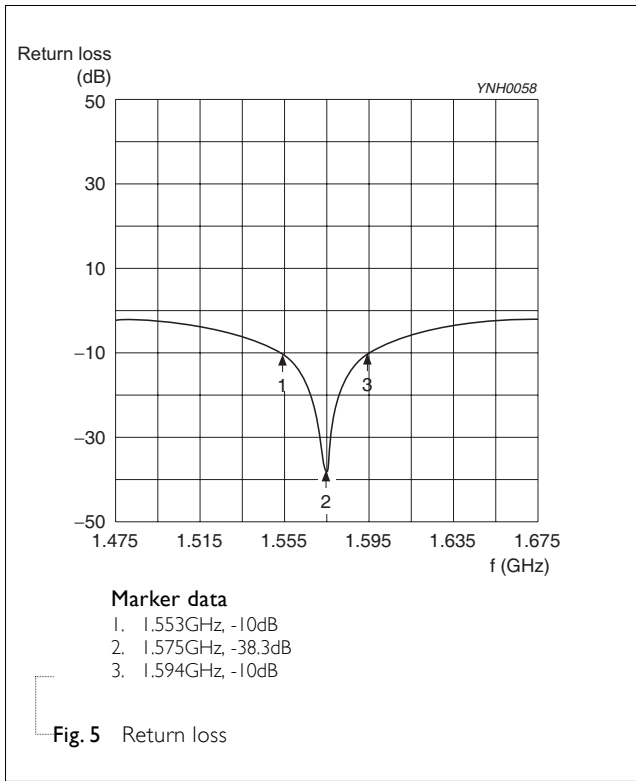


Unit : mm

YNH0057

Fig. 4 Details of soldering Pad

ELECTRICAL PERFORMANCES



REVISION HISTORY

REVISION	DATE	CHANGE NOTIFICATION	DESCRIPTION
Version 0	Feb. 05, 2013	-	- New datasheet for SMD type antenna, 1.575 GHz application, 6230 series

X-ON Electronics

Largest Supplier of Electrical and Electronic Components

Click to view similar products for [Antennas](#) category:

Click to view products by [Yageo](#) manufacturer:

Other Similar products are found below :

[GAN30084EU](#) [930-033-R](#) [GW17.07.0250E](#) [1513563-1](#) [EXE902SM](#) [APAMPG-117](#) [MAF94383](#) [W3908B0100](#) [W6102B0100](#) [YE572113-30RSMM](#) [108-00014-50](#) [66089-2406](#) [SPDA17RP918](#) [A09-F8NF-M](#) [A09-F5NF-M](#) [RGFRA1903041A1T](#) [W3593B0100](#) [W3921B0100](#) [SIMNA-868](#) [SIMNA-915](#) [SIMNA-433](#) [W1044](#) [W1049B090](#) [A75-001](#) [WTL2449CQ1-FRSMM](#) [CPL9C](#) [EXB148BN](#) [0600-00060](#) [TRA9020S3PBN-001](#) [Y4503](#) [GD5W-28P-NF](#) [MA9-7N](#) [GD53-25](#) [GD5W-21P-NF](#) [C37](#) [MAF94051](#) [MA9-5N](#) [EXD420PL](#) [B1322NR](#) [QWFTB120](#) [MAF94271](#) [MAF94300](#) [GPSMB301](#) [FG4403](#) [AO-AGSM-OM54](#) [5200232](#) [MIKROE-2349](#) [WCM.01.0111](#) [MIKROE-2393](#) [MIKROE-2352](#)