

**ANTENNA PRODUCTS**

# DATA SHEET

## 1.575 GHz Circular Polarized Pin Feed Ceramic GPS Antenna (25\*25\*4 mm)

2006 August. 28 Rev.1

25*25*4 mm Pin Feed Ceramic Antenna for GPS Application				<b>CAN4313425031581B</b>				—	1	Aug.. 28, 06	
								▶	2	Nov, 06	
								—	3		
BY / 製定者	<a href="http://Sunwiun.hu">Sunwiun.hu</a>	SUPER / 原圖編號	C.T. Lee	TLL.SH / 共頁	8	PAGE/ 頁	1	SH nr.	—	4	
CHECK				DATE / 日期	August. 28, 2006		—	▶	5		

**CERAMIC ANTENNA (CIRCULAR POLARIZATION PIN FEED TYPE)  
FOR GLOBAL POSITIONING SYSTEMS (GPS) (1.575G Hz)**

**Product Specification<sup>1</sup>**

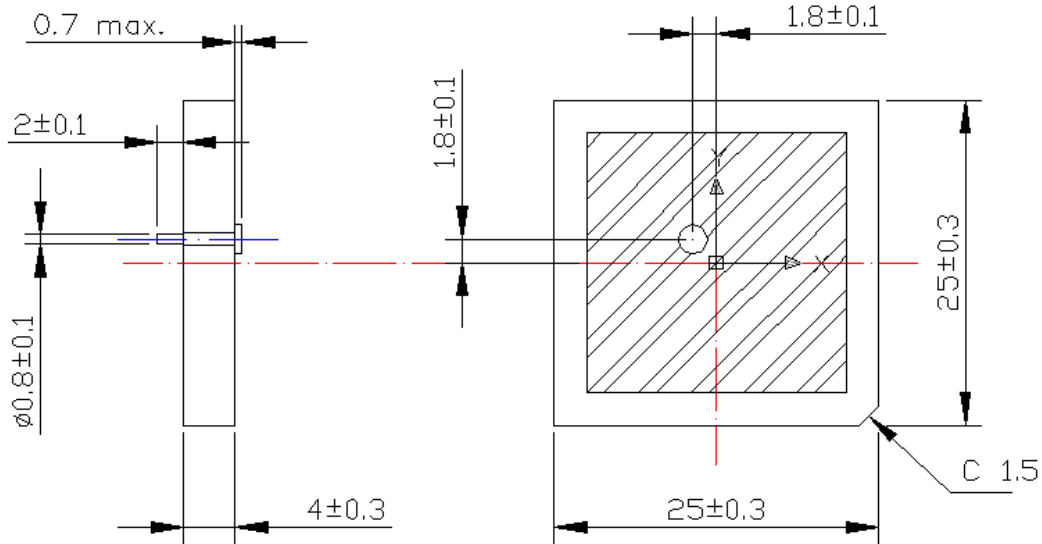
**QUICK REFERENCE DATA**

Central Frequency	1.575 GHz*
Bandwidth	20 MHz min.**
Gain	3 dBic Max***
VSWR	2.0 max
Polarization	Right Hand Circular Polarization
Axial Ratio	3dB
Impedance	50Ω
Operating Temperature	-55~125 °C



\* Central frequency will shift 5 MHz down when a non-metal cover is placed  
 \*\* Return loss ≤ -10dB.  
 \*\*\* Based on 70 \* 70 mm ground plane

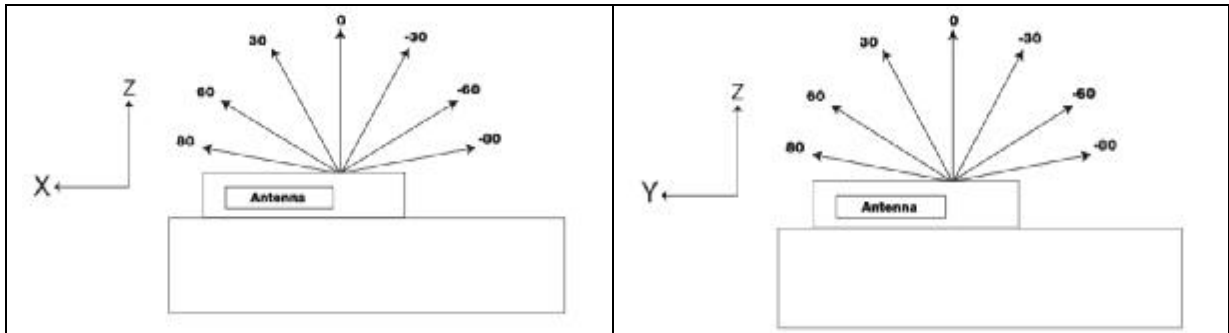
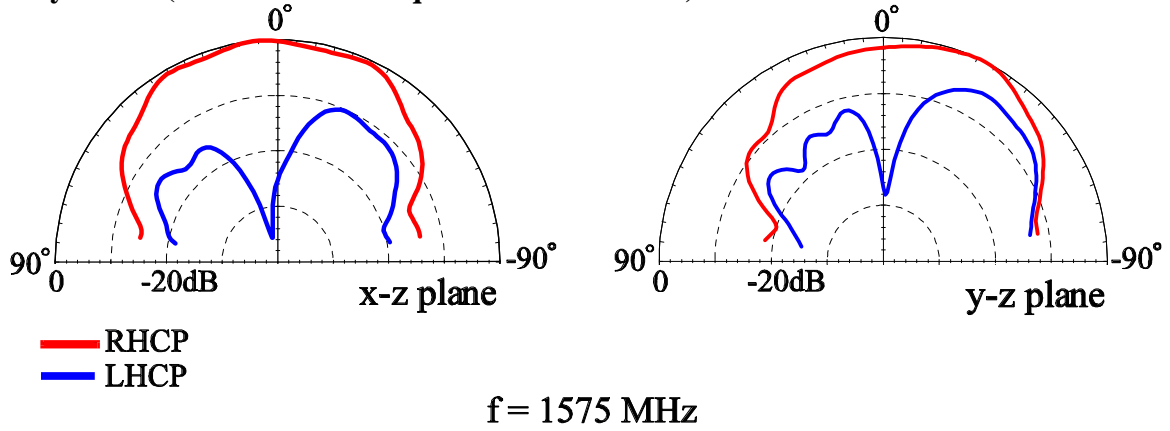
**MECHANICAL DATA (25 \* 25 \* 4 mm)**



<sup>1</sup> All the technical data and information contained herein are subject to change without prior notice

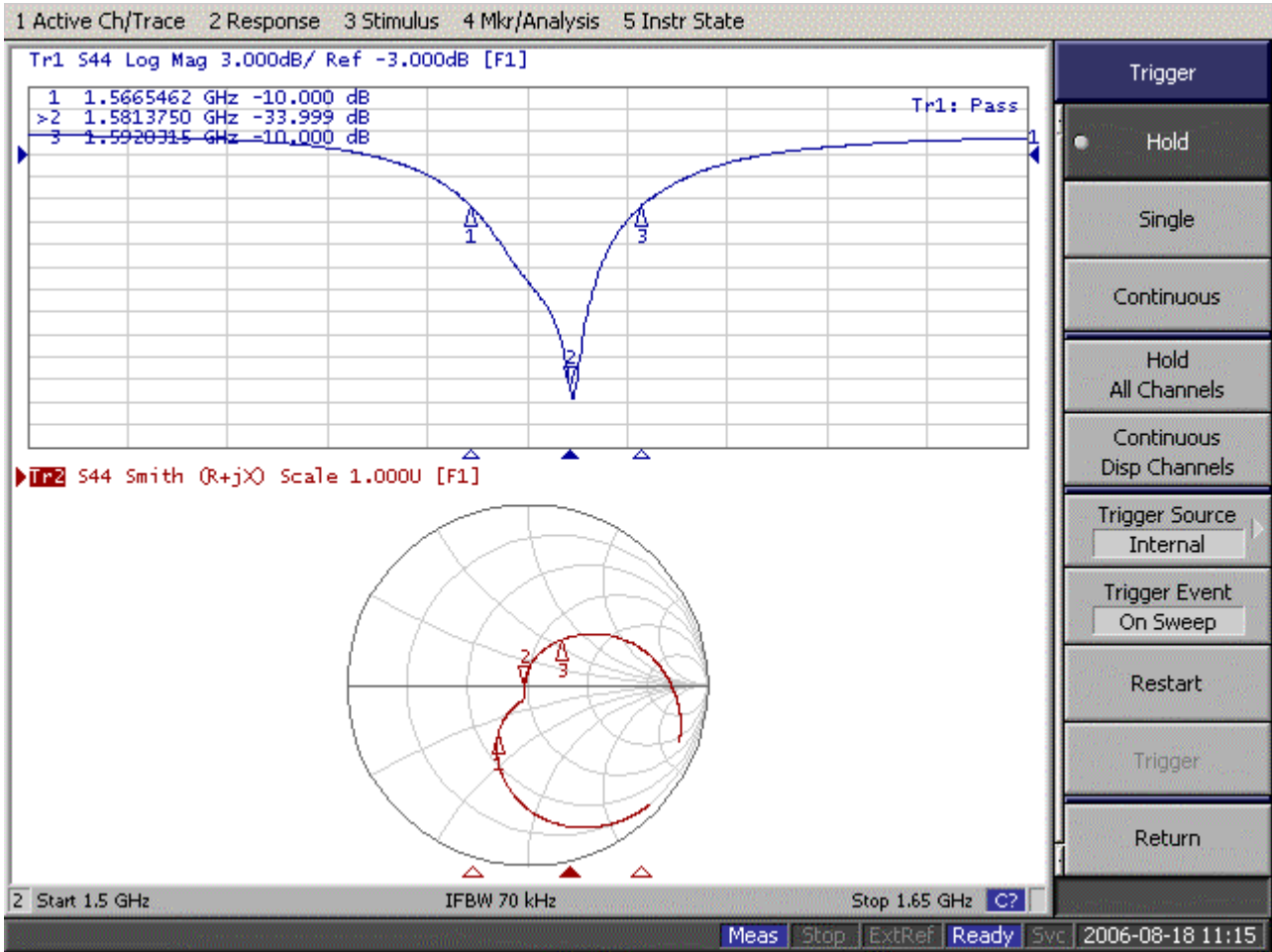
25*25*4 mm Pin Feed Ceramic Antenna for GPS Application				<b>CAN4313425031581B</b>				—	1	Aug., 28, 06	
								▶	2	Nov, 06	
								—	3		
BY / 製定者	Sunwiun.hu	SUPER / 原圖編號	C.T. Lee	TLL.SH / 共頁	8	PAGE / 頁	2	SH nr.	—	4	
CHECK				DATE / 日期	August. 28, 2006		—	▶	5		

**Directivity Chart (with 30\*30 mm square Ground Plane)**



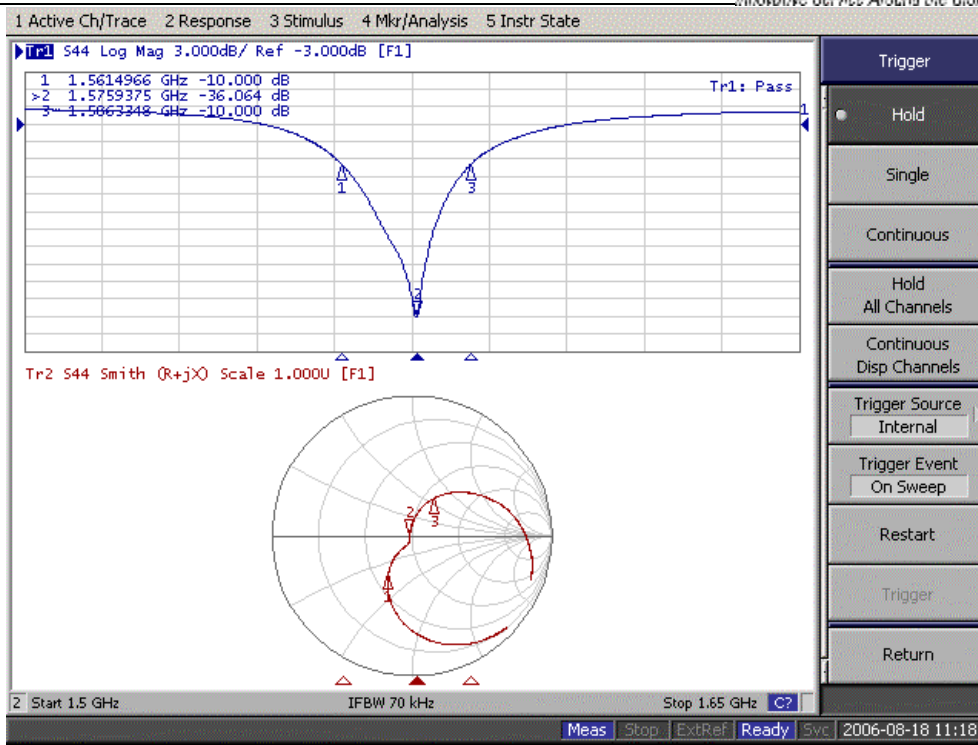
25*25*4 mm Pin Feed Ceramic Antenna for GPS Application				<b>CAN4313425031581B</b>			—	1	Aug., 28, 06		
							▶	2	Nov, 06		
							—	3			
BY / 製定者	Sunwiun.hu	SUPER / 原圖編號	C.T. Lee	TLL.SH / 共頁	8	PAGE / 頁	3	SH nr.	—	4	
CHECK				DATE / 日期	August. 28, 2006		—	▶	5		

**Return Loss and Smith Chart (with 70 \* 70 mm square Ground Plane)**

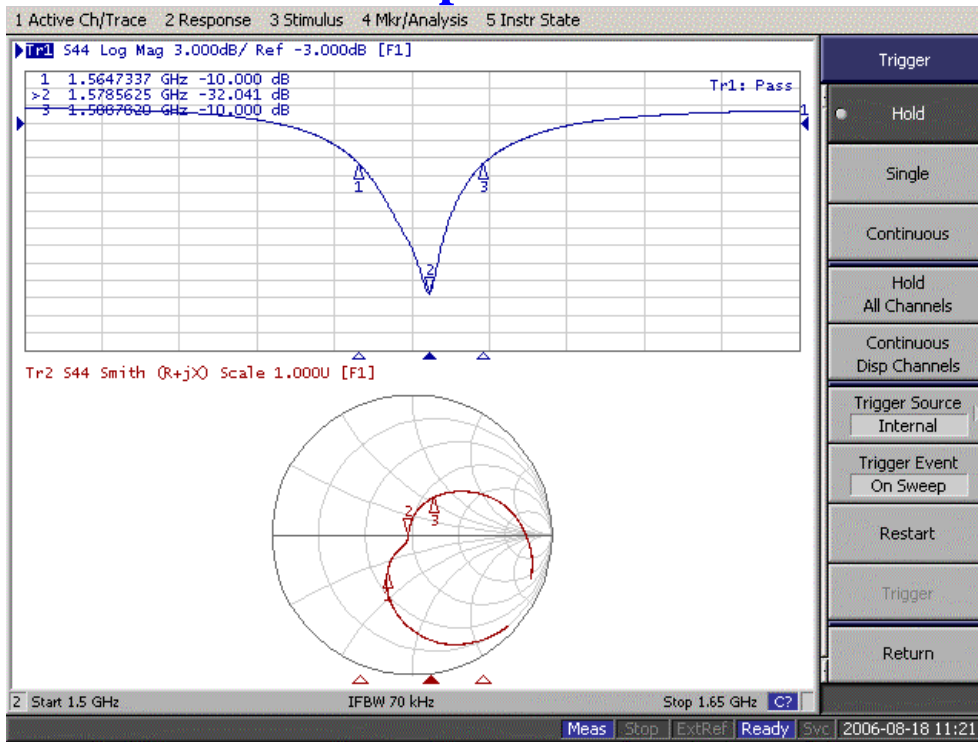


**No tape**

25*25*4 mm Pin Feed Ceramic Antenna for GPS Application				<b>CAN4313425031581B</b>				—	1	Aug., 28, 06	
								▶	2	Nov, 06	
								—	3		
BY / 製定者	Sunwiun.hu	SUPER / 原圖編號	C.T. Lee	TLL.SH / 共頁	8	PAGE / 頁	4	SH nr.	—	4	
CHECK				DATE / 日期	August. 28, 2006			—	▶	5	



### With tape and Liner



### With tape but without Liner

25*25*4 mm Pin Feed Ceramic Antenna for GPS Application				CAN4313425031581B			—	1	Aug., 28, 06
							▶	2	Nov, 06
BY / 製定者 Sunwiun.hu SUPER / 原圖編號 C.T. Lee				TLL.SH / 共頁 8 PAGE / 頁 5 SH nr.			—	3	
							▶	4	
CHECK				DATE / 日期 August. 28, 2006			—	5	
							▶		

**ORDERING INFORMATION: 12NC Ordering Code**

The antennas may be ordered by using the Yageo ordering code. These code numbers can be determined by the following rules:

**CAN 43 13 4 25 03 158 1B**  
**F C M S T A P**

F. Family Code

**CAN 43** = Antenna

C. Packing Type Code

**13** = bulk packing

M. Materials Code

**4** = High Frequency Material

S. Size Code

**25** = 25 \* 25 mm

T. Type

**03** = Pin Feed Type 3

A. Working Frequency

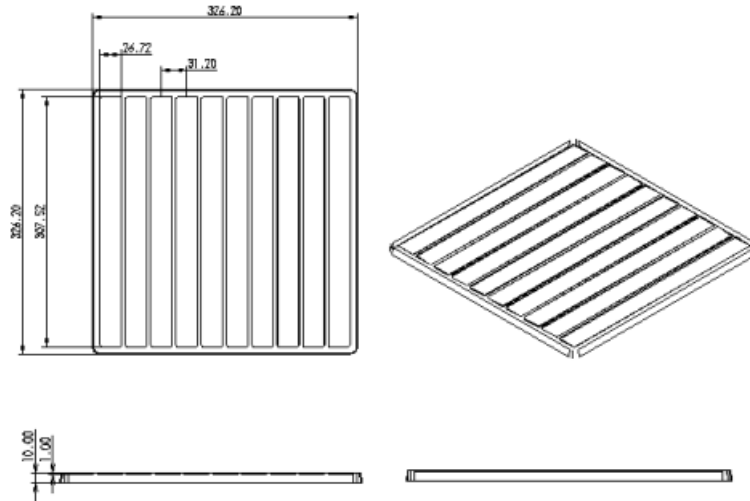
**158** = 1.575GHz

Packing Type Code

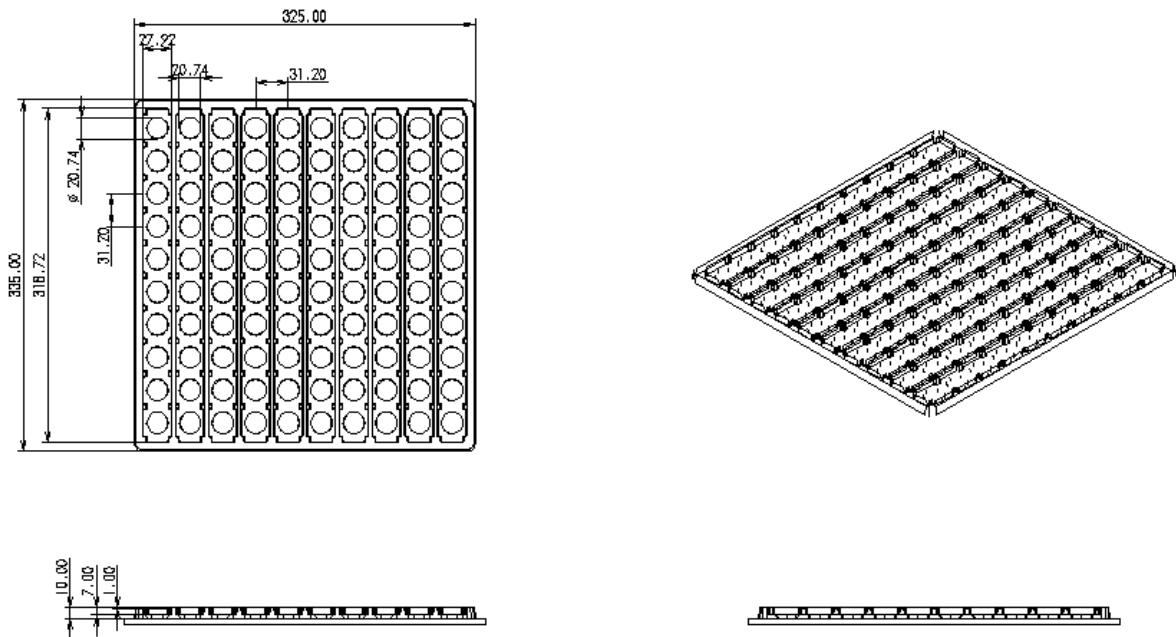
**1B** = bulk packing

25*25*4 mm Pin Feed Ceramic Antenna for GPS Application				<b>CAN4313425031581B</b>				—	1	Aug.. 28, 06	
								▶	2	Nov, 06	
								—	3		
BY / 製定者	<a href="http://Sunwiun.hu">Sunwiun.hu</a>	SUPER / 原圖編號	C.T. Lee	TLL.SH / 共頁	8	PAGE/ 頁	6	SH nr.	—	4	
CHECK				DATE / 日期	August. 28, 2006		—	▶	5		

**Packing Information**



Cover Tray



Bottom Tray

25*25*4 mm Pin Feed Ceramic Antenna for GPS Application				<b>CAN4313425031581B</b>			—	1	Aug.. 28, 06
							▶	2	Nov, 06
BY / 製定者 <b>Sunwiun.hu</b> SUPER / 原圖編號    C.T. Lee				TLL.SH / 共頁    8	PAGE / 頁    7	SH nr.	—	3	
							▶	4	
CHECK				DATE / 日期    August. 28, 2006		—	5		
						▶			

**Revision Control:**

Revision	Date	Content	Remark
	Aug. 28, 2006	New Issued	
	Nov, 2006	Modify the packing tray	

<p>25*25*4 mm Pin Feed Ceramic Antenna for GPS Application</p>				<p><b>CAN4313425031581B</b></p>				—	1	Aug.. 28, 06	
								▶	2	Nov, 06	
								—	3		
BY / 製定者	Sunwiun.hu	SUPER / 原圖編號	C.T. Lee	TLL.SH / 共頁	8	PAGE/ 頁	8	SH nr.	—	4	
CHECK				DATE / 日期	August. 28, 2006		—	▶	5		



## X-ON Electronics

Largest Supplier of Electrical and Electronic Components

*Click to view similar products for [Antennas](#) category:*

*Click to view products by [Yageo](#) manufacturer:*

Other Similar products are found below :

[CCT FM1](#) [ABFT](#) [AD-NM-SMAF 001-0021](#) [CTC110](#) [MAF94149](#) [EXE902SF](#) [MMCX-SMA-100](#) [PDQ24496-91NF](#) [GAN30084EU](#) [930-033-R](#) [A08-HABUF-P5I](#) [AAF95035](#) [DG-ANT-20DP-BG-B](#) [APAMPGJ-141](#) [1513563-1](#) [OF86315-FNF](#) [OP24516DS-91NM](#) [A09-HASM-7](#) [EXE902MD](#) [EXE902SM](#) [SPDA17806/2170LAR](#) [APAMPG-117](#) [GPS1575SP26-004](#) [GPS15MGSMA](#) [CMD69273P-30NF](#) [CMQ69273-30NF](#) [RD2458-5-OTDR-NM](#) [RD2458-5-RSMA](#) [TRAB24/49003](#) [W4120ER5000](#) [W6102B0100](#) [YE572113-30RSMM](#) [108-00014-50](#) [SPDA17RP918](#) [OP24516SX-91NM](#) [OP24516SX-91RSMM](#) [CMQ69273P-30NF](#) [CMS69273-30NF](#) [CMS69273P-30NF](#) [TRAB24003N](#) [TRAB24003NP](#) [TRAB8213NP](#) [TRAB8903](#) [A09-Y8NF](#) [A09-Y11NF](#) [A09-HSM-7](#) [A09-F8NF-M](#) [A09-F5NF-M](#)