

# DATA SHEET

## SURFACE-MOUNT CERAMIC EMI FILTER CAPACITORS

X2Y® Series  
6.3 V TO 100 V



# Surface-mount ceramic EMI filter capacitors

## X2Y® Series

### DESCRIPTION

X2Y® series is a breakthrough in the design of ceramic multilayer products for decoupling and filtering in an IPD (integrated passive device).

X2Y® products comprise two identical Y-capacitors and one X-capacitor, integrated into a 4 terminal device, which is available in standard MLCC sizes. Thanks to the unique multilayer construction the device provides noise cancellation within the device, reducing ESL from nanohenry to picohenry levels.

Using the unique balance between the Y-capacitors and the shielded multilayer structure the X2Y® products offer superior decoupling and filtering.

The X2Y® device performs as a broadband filter enabling better EMC compliance for electrical equipment in a wide range of applications.

### FEATURES

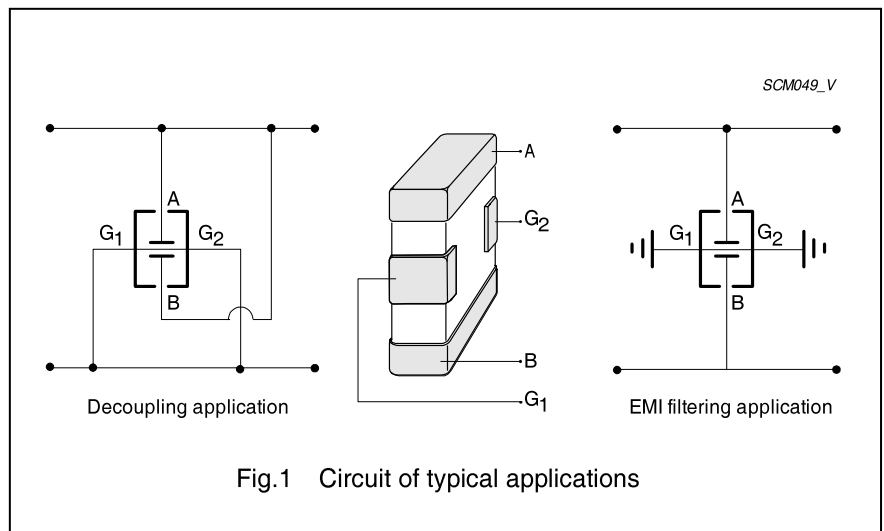
- **Broadband Filtering and Decoupling:** X2Y® is effective up to 10 GHz and frequencies beyond
- **Ultra Low ESL:** Noise cancellation within X2Y® makes ESL reducing from nanohenry to picohenry levels
- **Bypass:** Unlike feedthrough capacitors, X2Y® is in bypass, so no DC current limitations
- **Matched Y-caps:** Two tightly matched line to ground capacitors in one device
- **Superior Balance:** Temperature and voltage variations balanced of two Y-caps
- **Aging Reliability:** Aging effects are equal on two Y-caps

### BENEFITS

- **Fewer Component in Filtering:** One X2Y® can replace multiple inductors and/or capacitors
- **Superior Performance in Filtering:** One X2Y® can eliminate both differential and common mode noises
- **Fewer Component in Decoupling:** Up to 1:7 replacement of MLCC in power delivering system bypass networks
- **Superior Performance in Decoupling:** Large or small, X2Y® components exhibit ultra low ESL
- **Total Cost Savings:** Assembly cost savings through reduced component count and placement costs
- **Board Level Design Advantages:** Dramatically reduces via drills, which blocks routing

### APPLICATIONS

- EMI filtering on DC motors
- Filtered connectors (airbag connectors, RJ-45 connectors)
- High speed data-line filtering
- Decoupling of supply-lines in high speed digital circuits
- Broadband filtering.
- Amplifier decoupling and EMI suppression.
- IC Decoupling, on-package, on-PCB.
- DC power line filtering.
- Data line filtering.
- EMI suppression for DC motors.
- Sensors
- Audio



**Surface-mount ceramic  
EMI filter capacitors**
**X2Y<sup>®</sup> Series**
**QUICK REFERENCE DATA**

DESCRIPTION	VALUE
Materials	X7R / X5R
Rated voltage	
X7R	10 V, 16 V, 25 V, 50 V / 63 V, 100 V (IEC)
X5R	10 V
Capacitance range (Y-capacitor)	
X7R 0603 series	1 nF to 330 nF
0805 series	1 nF to 180 nF
1206 series	10 nF to 470 nF
1210 series	100 nF to 1 $\mu$ F
X5R 0603 series	180 nF to 470 nF
Tolerance on capacitance	$\pm 20\%$ (M)
Test voltage (DC) for 1 minute	$2.5 \times U_R$
Sectional specifications	IEC 60384-10, second edition 1989-04
Detailed specification	based on IEC 60384-10-1
Climatic category (IEC 60068)	X7R: 55 / 125 / 56

**Surface-mount ceramic  
EMI filter capacitors**

**X2Y® Series**

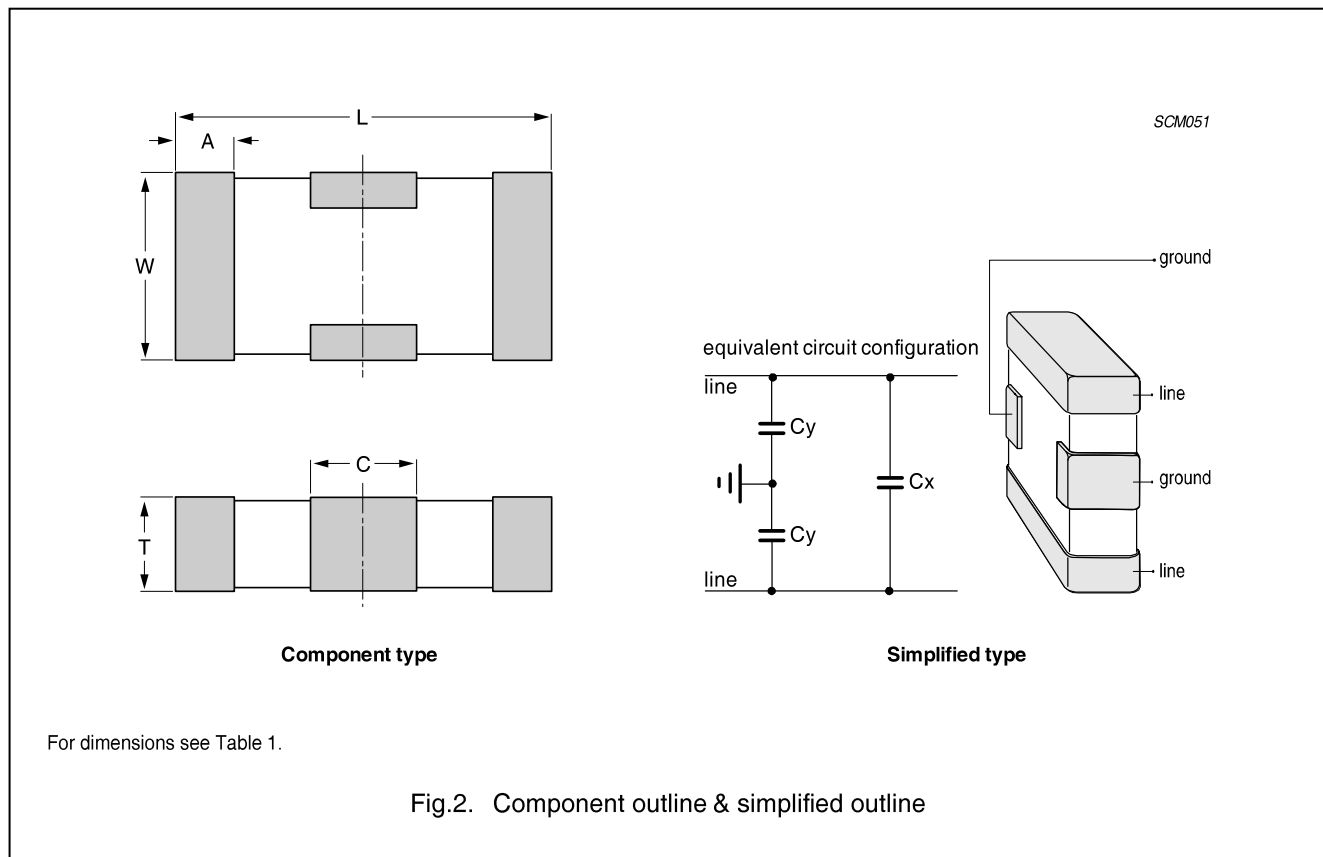
**GENERAL SELECTION CHART**

C (pF)	X7R				X5R
	0603	0805	1206	1210	0603
1,000	<b>100V</b>	<b>100 V</b>			
1,500					
2,200					
4,700					
5,600					
10,000	<b>50 V</b>		<b>100 V</b>		
15,000	<b>25 V</b>	<b>50 V</b>			
18,000					
22,000					
39,000	<b>16 V</b>	<b>25 V</b>	<b>50 V</b>		
47,000		<b>16 V</b>			
56,000					
100,000	<b>10 V</b>	<b>10 V</b>	<b>16 V</b>	<b>50V</b>	<b>10 V</b>
180,000					
220,000					
270,000					
330,000					
390,000					
470,000			<b>10 V</b>		
560,000					
820,000				<b>16 V</b>	
1,000,000					

**Surface-mount ceramic  
EMI filter capacitors**

**X2Y® Series**

**MECHANICAL DATA**



**Physical dimensions**

**Table 1** Capacitor dimensions

CASE SIZE	L	W	T		A		C
			MIN.	MAX.	MIN.	MAX.	
<b>Dimensions in millimetres</b>							
0603	1.6 ±0.15	0.85 ±0.15	0.55	0.75	0.25	0.55	0.40 ±0.20
0805	2.0 ±0.15	1.25 ±0.15	0.75	0.95	0.25	0.55	0.70 ±0.20
1206	3.2 ±0.20	1.65 ±0.20	1.10	1.40	0.25	0.65	1.20 ±0.30
1210	3.2 ±0.20	2.5 ±0.20	1.10	1.70	0.25	0.65	1.20 ±0.30
<b>Dimensions in inches</b>							
0603	0.063 ±0.006	0.033 ±0.006	0.022	0.030	0.010	0.022	0.016 ±0.008
0805	0.079 ±0.006	0.049 ±0.006	0.030	0.037	0.010	0.022	0.028 ±0.008
1206	0.126 ±0.008	0.065 ±0.008	0.043	0.055	0.010	0.026	0.047 ±0.012
1210	0.126 ±0.008	0.098 ±0.008	0.043	0.067	0.010	0.026	0.047 ±0.012

## Surface-mount ceramic EMI filter capacitors

## X2Y<sup>®</sup> Series

### Electrical characteristics CHARACTERISTICS FOR X7R

#### Class 2 capacitors; X7R dielectric; Ni/Sn terminations

DESCRIPTION	VALUE
Rated voltage $U_R$ (DC)	10 V, 16 V, 25 V, 50 V/63 V, 100 V
Capacitance range	1 nF to 1 $\mu$ F
Capacitance tolerance	$\pm 20\%$
Dissipation factor (D.F.); note 1	
6.3 V	6%
10 V	5%
16 V	3.5%
$\geq 25$ V	2.5%
Insulation resistance after 1 minute at $U_R$ (DC)	$R_{ins} \times C > 500$ seconds or $R_{ins} > 10G\Omega$ , whichever is less
Maximum capacitance change as a function of temperature	$\pm 15\%$
Operating temperature range:	
X7R	$-55\text{ }^\circ\text{C}$ to $+125\text{ }^\circ\text{C}$
Aging	Typical 1% per time decade

#### Note

1. Measured at  $20\text{ }^\circ\text{C}$ , 1 V and 1 KHz, using a four-gauge method.

### CHARACTERISTICS FOR X5R

#### Class 2 capacitors; X5R dielectric; Ni/Sn terminations

DESCRIPTION	VALUE
Rated voltage $U_R$ (DC)	6.3V, 10 V
Capacitance range	180 nF to 470 nF
Capacitance tolerance	$\pm 20\%$
Dissipation factor (D.F.); note 1	
6.3 V	10%
10 V	10%
Insulation resistance after 1 minute at $U_R$ (DC)	$R_{ins} \times C > 500$ seconds or $R_{ins} > 10G\Omega$ , whichever is less
Maximum capacitance change as a function of temperature	$\pm 15\%$
Operating temperature range:	
X5R	$-55\text{ }^\circ\text{C}$ to $+85\text{ }^\circ\text{C}$
Aging	Typical 1% per time decade

#### Note

1. Measured at  $20\text{ }^\circ\text{C}$ , 1 V and 1 KHz, using a four-gauge method.

**Surface-mount ceramic  
EMI filter capacitors**

**X2Y® Series**

**SELECTION CHART FOR X7R SIZES 0603, 0805, 1206,1210 AND ORDERING INFORMATION**

SIZE	Y-CAPACITOR		VOLTAGE RATING (V)	THICKNESS (mm)	CTC ORDERING CODE	QUANTITY PER REEL
	CAP. (nF)	TOLERANCE (%)				
0603	1	20%	100	0.65	CX0603MRX7R0BB102	4,000
	1	20%	50	0.65	CX0603MRX7R9BB102	4,000
	1	20%	16	0.65	CX0603MRX7R7BB102	4,000
	1.5	20%	100	0.65	CX0603MRX7R0BB152	4,000
	1.5	20%	50	0.65	CX0603MRX7R9BB152	4,000
	2.2	20%	100	0.65	CX0603MRX7R0BB222	4,000
	4.7	20%	100	0.65	CX0603MRX7R0BB472	4,000
	5.6	20%	100	0.65	CX0603MRX7R0BB562	4,000
	5.6	20%	50 / 63	0.65	CX0603MRX7R9BB562	4,000
	10	20%	50 / 63	0.65	CX0603MRX7R9BB103	4,000
	15	20%	25	0.65	CX0603MRX7R8BB153	4,000
	18	20%	25	0.65	CX0603MRX7R8BB183	4,000
	22	20%	25	0.65	CX0603MRX7R8BB223	4,000
	39	20%	16	0.65	CX0603MRX7R7BB393	4,000
	47	20%	16	0.65	CX0603MRX7R7BB473	4,000
	56	20%	16	0.65	CX0603MRX7R7BB563	4,000
	100	20%	10	0.65	CX0603MRX7R6BB104	4,000
	180	20%	10	0.65	CX0603MRX7R6BB184	4,000
	220	20%	10	0.65	CX0603MRX7R6BB224	4,000
	270	20%	10	0.65	CX0603MRX7R6BB274	4,000
330	20%	10	0.65	CX0603MRX7R6BB334	4,000	
0805	1	20%	100	0.85	CX0805MRX7R0BB102	4,000
	1	20%	50	0.85	CX0805MRX7R9BB102	4,000
	1.5	20%	100	0.85	CX0805MRX7R0BB152	4,000
	2.2	20%	100	0.85	CX0805MRX7R0BB222	4,000
	4.7	20%	100	0.85	CX0805MRX7R0BB472	4,000
	10	20%	100	0.85	CX0805MRX7R0BB103	4,000
	15	20%	50	0.85	CX0805MRX7R9BB153	4,000
	18	20%	50	0.85	CX0805MRX7R9BB183	4,000
	22	20%	50	0.85	CX0805MRX7R9BB223	4,000
	22	20%	50	0.85	CX0805MRX7R8BB223	4,000
	47	20%	16	0.85	CX0805MRX7R7BB473	4,000
	56	20%	16	0.85	CX0805MRX7R7BB563	4,000
	100	20%	16	0.85	CX0805MRX7R7BB104	4,000
	180	20%	10	0.85	CX0805MRX7R6BB184	4,000

**Surface-mount ceramic  
EMI filter capacitors**

**X2Y® Series**

SIZE	Y-CAPACITOR		VOLTAGE RATING (V)	THICKNESS (mm)	CTC ORDERING CODE	QUANTITY PER REEL
	CAP. (nF)	TOLERANCE (%)				
1206	10	20%	100	1.2	CX1206MKX7R0BB103	3,000
	15	20%	100	1.2	CX1206MKX7R0BB153	3,000
	15	20%	50	1.2	CX1206MKX7R9BB153	3,000
	18	20%	100	1.2	CX1206MKX7R0BB183	3,000
	22	20%	100	1.2	CX1206MKX7R0BB223	3,000
	33	20%	100	1.2	CX1206MKX7R0BB333	3,000
	39	20%	50	1.2	CX1206MKX7R9BB393	3,000
	47	20%	50	1.2	CX1206MKX7R9BB473	3,000
	56	20%	50	1.2	CX1206MKX7R9BB563	3,000
	100	20%	50	1.2	CX1206MKX7R9BB104	3,000
	180	20%	16	1.2	CX1206MKX7R7BB184	3,000
	220	20%	16	1.2	CX1206MKX7R7BB224	3,000
	270	20%	16	1.2	CX1206MKX7R7BB274	3,000
	330	20%	16	1.2	CX1206MKX7R7BB334	3,000
	390	20%	16	1.2	CX1206MKX7R7BB394	3,000
470	20%	10	1.2	CX1206MKX7R6BB474	3,000	
1210	100	20%	50	1.6	CX1210MKX7R9BB104	2,000
	180	20%	50	1.6	CX1210MKX7R9BB184	2,000
	220	20%	50	1.6	CX1210MKX7R9BB224	2,000
	270	20%	50	1.6	CX1210MKX7R9BB274	2,000
	330	20%	50	1.6	CX1210MKX7R9BB334	2,000
	390	20%	50	1.6	CX1210MKX7R9BB394	2,000
	470	20%	50	1.6	CX1210MKX7R9BB474	2,000
	470	20%	25	1.6	CX1210MKX7R8BB474	2,000
	560	20%	50	1.6	CX1210MKX7R9BB564	2,000
	560	20%	25	1.6	CX1210MKX7R8BB564	2,000
	820	20%	16	1.6	CX1210MKX7R7BB824	2,000
	1000	20%	16	1.6	CX1210MKX7R7BB105	2,000



**Surface-mount ceramic  
EMI filter capacitors**

**X2Y® Series**

**SELECTION CHART FOR X5R SIZES 0603 <sup>(1)</sup>**

SIZE	Y-CAPACITOR		VOLTAGE RATING (V)	THICKNESS (mm)	CTC ORDERING CODE	QUANTITY PER REEL
	CAP. (nF)	TOLERANCE (%)				
0603	180	20%	10	0.65	CX0603MRX5R6BB184	4,000
	220	20%	10	0.65	CX0603MRX5R6BB224	4,000
	270	20%	10	0.65	CX0603MRX5R6BB274	4,000
	330	20%	10	0.65	CX0603MRX5R6BB334	4,000
	390	20%	10	0.65	CX0603MRX5R6BB394	4,000
	470	20%	10	0.65	CX0603MRX5R6BB474	4,000
	470	20%	10	0.65	CX0603MRX5R5BB474	4,000

**Notes**

- 1. Other values are available on request.

**THICKNESS CLASSIFICATION AND PACKING QUANTITIES FOR X7R**

THICKNESS CLASSIFICATION (mm)	QUANTITY PER REEL			
	8 mm TAPE WIDTH			
	∅ 180 mm; 7"		∅ 330 mm; 13"	
	0603 - 1210			
	PAPER	BLISTER	PAPER	BLISTER
0.65 ±0.1	4,000			
0.85 ±0.1	4,000			
1.2 ±0.15	–	3,000		
1.6 ±0.15	–	2,000		

**Surface-mount ceramic  
EMI filter capacitors**

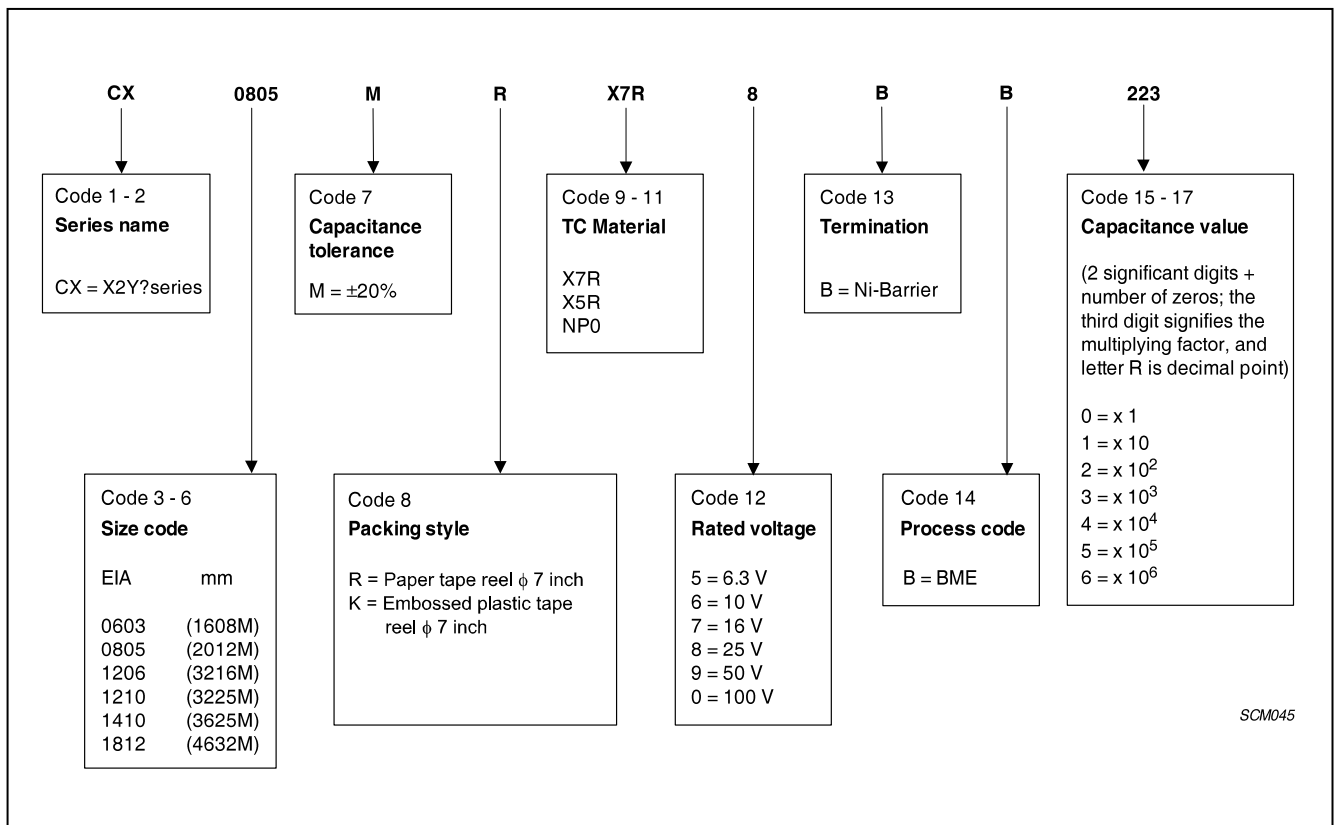
**X2Y® Series**

**ORDERING INFORMATION**

Components may be ordered by using either a Yageo part number or Phycomp's unique 12NC.

**Ordering code: Yageo part number**

**Example: CX0805MRX7R8BB223**



**Surface-mount ceramic  
EMI filter capacitors**

**X2Y® Series**

**RECOMMENDED DIMENSIONS OF SOLDER LANDS**

**Table 3** Reflow soldering

CASE SIZE (EIA)	Footprint dimensions (mm)					Placement Accuracy (mm)
	A	B	C	D	E	
0603	2.30	0.76	0.64	0.51	1.52	±0.20
0805	3.05	1.27	0.89	0.56	2.03	±0.20
1206	4.06	1.65	1.00	1.02	3.05	±0.25
1210	4.57	2.55	1.00	1.14	4.06	±0.25

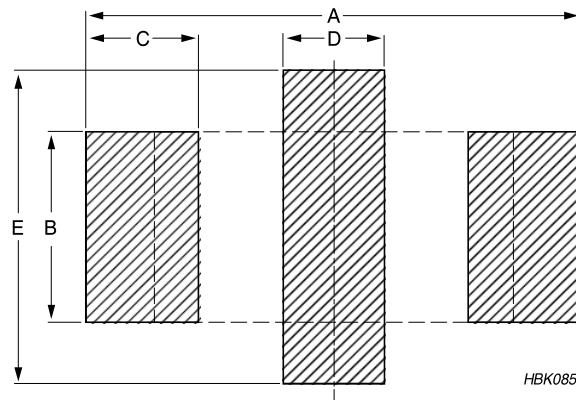
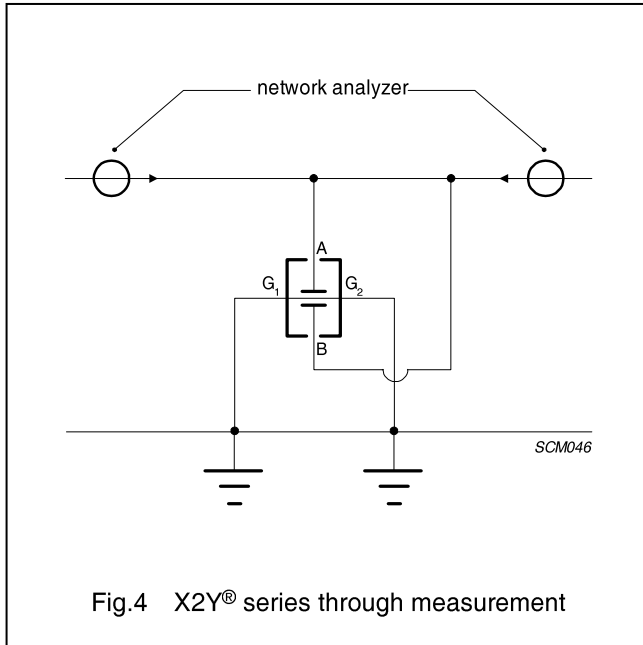


Fig.3 Recommended dimensions of solder lands

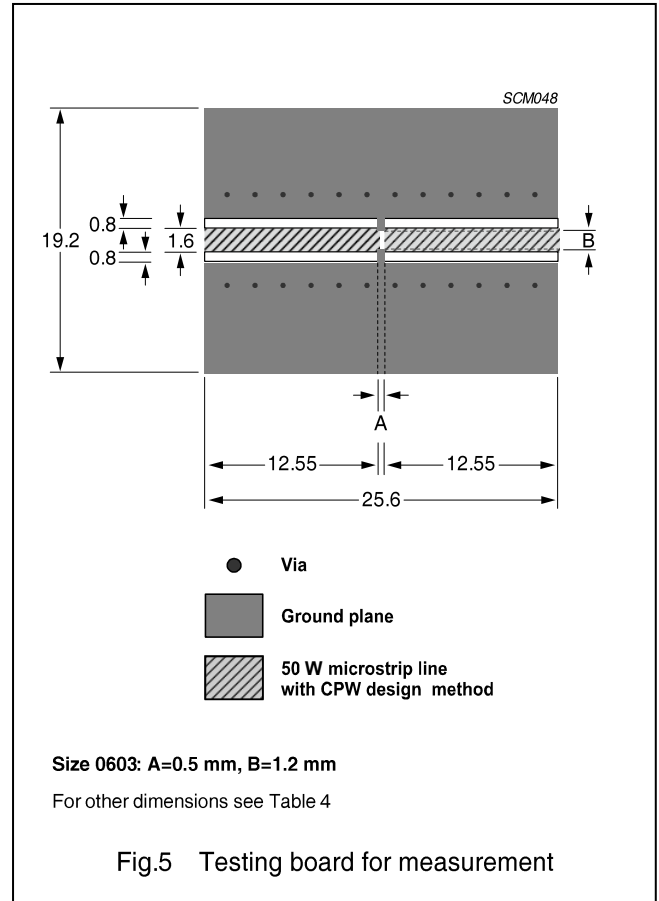
**Surface-mount ceramic  
EMI filter capacitors**

**X2Y® Series**

**MEASUREMENT SETUP**



- X2Y® are soldered on a printed circuit board
- PCB: FR-4 substrate, with 50 Ω microstrip line
- Network Analyzer: Agilent E5071b
- Calibration: full 2-port calibration with 85033E kit



**Table 4** Recommended dimensions of measurement

CASE SIZE	A (mm)	B (mm)
0603	0.5 ±0.10	1.2 ±0.10
0805	0.8 ±0.10	1.6 ±0.10
1206	1.2 ±0.10	2.8 ±0.15
1210	2.1 ±0.15	2.8 ±0.15

**Surface-mount ceramic  
EMI filter capacitors**

**X2Y® Series**

**TESTS AND REQUIREMENTS**

**Table 5** Test procedures and requirements

IEC 60384-10/ CECC 32 100 CLAUSE	IEC 60068-2	TEST	PROCEDURE	REQUIREMENTS
	TEST METHOD			
4.4		mounting	the capacitors may be mounted on printed-circuit boards or ceramic substrates by applying reflow soldering (including vapor phase soldering) or conductive adhesive	no visible damage
4.5		visual inspection and dimension check	any applicable method using ×10 magnification	in accordance with specification
4.6.1		capacitance	Class 1: ≤ 1000 pF; f = 1 MHz >1000 pF; f = 1 kHz NP0: measuring voltage 1 V at 20 °C Class 2: For all capacitors f = 1 kHz X7R: measuring voltage 1 V at 20 °C Y5V: measuring voltage 1 V at 25 °C	within specified tolerance
4.6.2		tan δ	Class 1: ≤ 1000 pF; f = 1 MHz >1000 pF; f = 1 kHz NP0: measuring voltage 1 V at 20 °C Class 2: For all capacitors f = 1 kHz X7R: measuring voltage 1 V at 20 °C Y5V: measuring voltage 1 V at 25 °C	in accordance with specifications
4.6.3		insulation resistance	at UR (DC) for 1 minute	in accordance with specification
4.6.4		voltage proof	2.5 × UR for 1 minute	no breakdown or flashover
4.7.1		temperature characteristic	Between minimum and maximum temperature	in accordance with specification
4.8		adhesion	a force of 5 N applied for 10 s to the line joining the terminations and in a plane parallel to the substrate	no visible damage

**Surface-mount ceramic  
EMI filter capacitors**

**X2Y® Series**

**Table 5** Test procedures and requirements (continued)

IEC 60384-10/ CECC 32 100 CLAUSE	IEC 60068-2	TEST	PROCEDURE	REQUIREMENTS
	TEST METHOD			
4.9		bond strength of plating on end face	mounted in accordance with CECC 32 100, paragraph 4.4	no visible damage
			conditions: bending 1 mm at a rate of 1 mm/s, radius jig 340 mm	ΔC/C: class 1: within ±10% class 2, X7R: within ±10% class 2, Y5V: within ±30%
4.10	Tb	resistance to soldering heat	Precondition: 120 to 150 °C for 1 minute; 260 ±5 °C for 10 ±0.5 s in a static solder bath	the terminations shall be well tinned after recovery ΔC/C: class 1: within ±0.5% or 0.5 pF whichever is greater class 2, X7R: >-5% and ≤10% class 2, Y5V: >-10% and ≤20%
		resistance to leaching	260 ±5 °C for 30 ±1 s in a static solder bath	using visual enlargement of ×10, dissolution of the terminations shall not exceed 10%
4.11	Ta	solderability	zero hour test, and test after storage (20 to 24 months) in original packing in normal atmosphere; unmounted chips completely immersed for 2 ±0.5 s in a solder bath at 235 ±5 °C	the terminations shall be well tinned
4.12	Na	rapid change of temperature	Preconditioning, class 2 only; NP0 / X7R: -55 to +125 °C; 5 cycles Y5V: -25 to +85 °C; 5 cycles	no visual damage after 48 hours recovery; ΔC/C: class 1: within ±1% or 1 pF class 2, X7R: within ±15% class 2, Y5V: within ±20%
4.15		Endurance	Pre-conditioning, class 2 only: 1000 hours at upper category temperature at: 1.5 × UR	no visual damage after 24 hours recovery: ΔC/C: class 1: within ±2% or 1 pF, whichever is greater class 2, X7R: within ±20% class 2, Y5V: within +30/-40% tan δ : class 1: ≤2 × specified value class 2: X7R: ≤7% class 2: Y5V: ≤15% Rins: class 1: 4000 MΩ or Rins × CR ≥ 40 s, whichever is less class 2: 2000 MΩ or Rins × CR ≥ 50 s, whichever is less

**Surface-mount ceramic  
EMI filter capacitors****X2Y® Series****REVISION HISTORY**

<b>Revision</b>	<b>Date</b>	<b>Change Notification</b>	<b>Description</b>
Rev.5	2001 Sep 25	-	- Published on web
Rev.6	2002 Jul 10	-	- Product range extended in all materials and sizes; - Insertion loss measurements added.
Rev.7	2003 Apr 02	-	- Updated company logo
Rev.8	2003 Jul 23	-	- Cover page revised
Rev.9	2003 Sep 09	-	- Cover page corrected
Rev.10	2004 Apr 21	-	- Product range updated - NP0, Y5V and size 1812 removed.
Rev.11	2006 Nov 21	-	- Size 1410 extended - Product applications, features and benefits update - Measurement setup added - Updated tests and requirements
Rev.12	2006 Dec 22	-	- 12 NC revised
Rev.13	2008 Nov 10	-	- Product range extended in materials of NP0 and X5R
Rev. 14	2013 June 27		- Rev.14 : Product range extended on NP0 0606 and 0805
Rev. 15	2016 July 25		- Product range extended on X7R

## X-ON Electronics

Largest Supplier of Electrical and Electronic Components

*Click to view similar products for [Feed Through Capacitors](#) category:*

*Click to view products by [Yageo](#) manufacturer:*

Other Similar products are found below :

[PSM4-402Z-20B](#) [CKD110JB1E470S](#) [CKD510JB1E473S](#) [CKD510JB1H221S](#) [CKD510JB1H470S](#) [4700-003MLF](#) [4700-053LF](#) [4701-001MLF](#) [4701-002MLF](#) [SSM1-402E-10B](#) [SSM1-501P-10T1](#) [SSM1-402E-10T1](#) [SSM1-152P-05T1](#) [4700-009MLF](#) [SSM1-101Z-05B](#) [SSM1F-402E-10T1](#) [SSM1-202P-05T1](#) [0805J0500471MATE03](#) [PSM4-103Z-20T0](#) [0805J1000470MATE03](#) [SF0603C101SBNBB](#) [PSM4F-402Z-20T0](#) [CX0603MRX7R6BB104](#) [CX1206MKX7R9BB104](#) [CX0603MRX7R9BB103](#) [YFF15PC0J105MT000N](#) [NFM15CC222D1A3D](#) [NFM15CC223C1C3D](#) [NFM15CC223C1A3D](#) [NFM18PC225B1A3D](#) [CX0603MRX5R6BB224](#) [CX0603MRX7R9BB103](#) [CX0805MRX7R0BB103](#) [CX0805MRX7R8BB223](#) [CX1206MKX7R7BB224](#) [CX1206MKX7R9BB104](#) [NFM31HK104R1H3L](#) [NFM31HK223R1H3L](#) [NFM15PC224R1A3D](#) [DSS1NB32A223Q91A](#) [DSS1NB31H104Q91A](#) [NFE31PT101C1E9L](#) [NFE31PT220R1E9L](#) [NFE61PT330B1H9L](#) [NFE61PT681B1H9L](#) [NFM31KC104R1H3L](#) [NFM41CC223R2A3L](#) [DSS1NB32A103Q91A](#) [DSS1NB32A102Q91A](#) [NFE31PT471F1E9L](#)