

雅晶鑫電子

Shenzhen Yajingxin Electron Co.,Ltd

Customer	
Production Name	SMD OSC CMOS SEAM 3.2*2.5
Customer P/N	N/A
P/N	F322540MUBCE20
Revision	A
Print Date	2023-04-20

Drawn	Checked	Approved
		



RoHS Compliant

■ Electrical Specifications

1.Model No	3225 OSC	
2.Nominal Frequency	40.000MHz	
3.Mode of Oscillation	Fundamental	
4.Operating Temperature Range	-40°C to 85 °C	
5.Storage Temperature Range	-55°C to +125°C	
6.Frequency Stability	±10ppm/±30ppm	
7.Power Supply Voltage	1.8V~3.3V	
8.Input Current	5Ma Max. : 40.000MHz	
9.Output Voltage	Logic High(Voh)	90%Vdd Min
	Logic Low(Vol)	10%Vdd Max
10.Output Load	15pF max CMOS Load	
11.Semmetry (at 50%VDD)	40-60%Normal	
12.Rise & Fall Time	8ns Max.	
13.E/D or N/C.	Tri-state	
14.Output Disable Time	100nsec	
15.Output Enable Time(start-up time)	10msec max	
16.Aging	±3ppm/year	
17.Unit Weight		

雅晶鑫電子

■ Marking

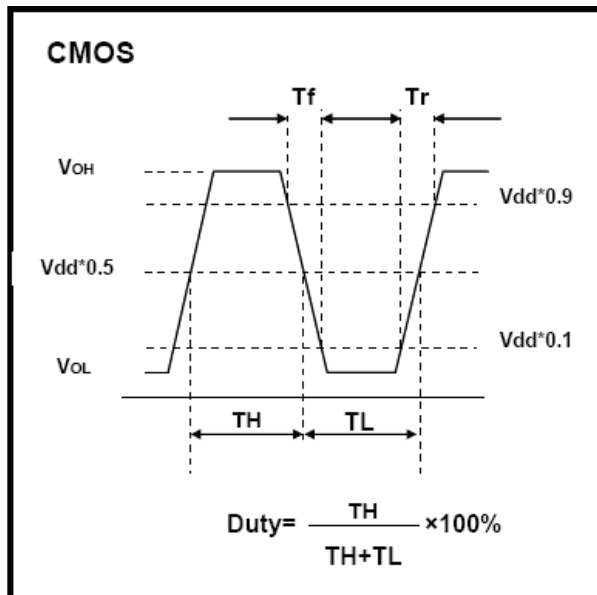
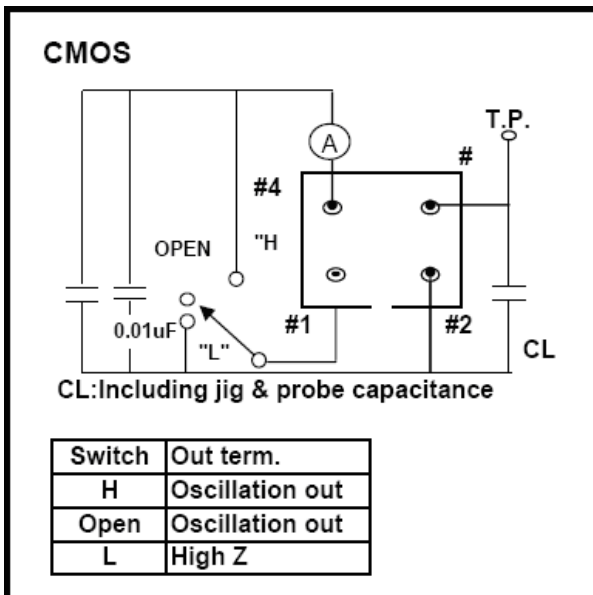
Line 1: 客户指定印字 →

Line 2: ● → Pin#1 indication



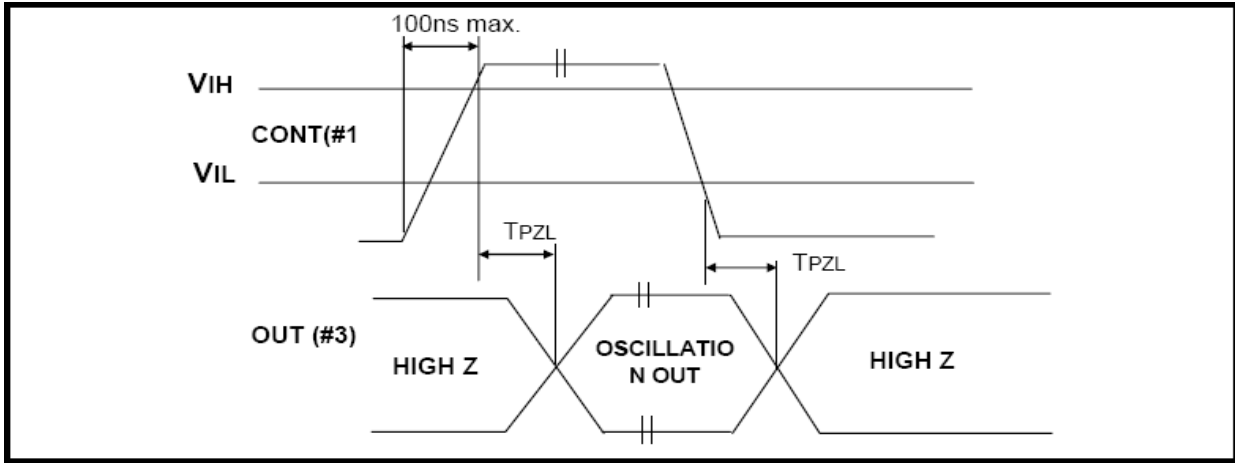
■ Measurement Circuit

Output Wave Form

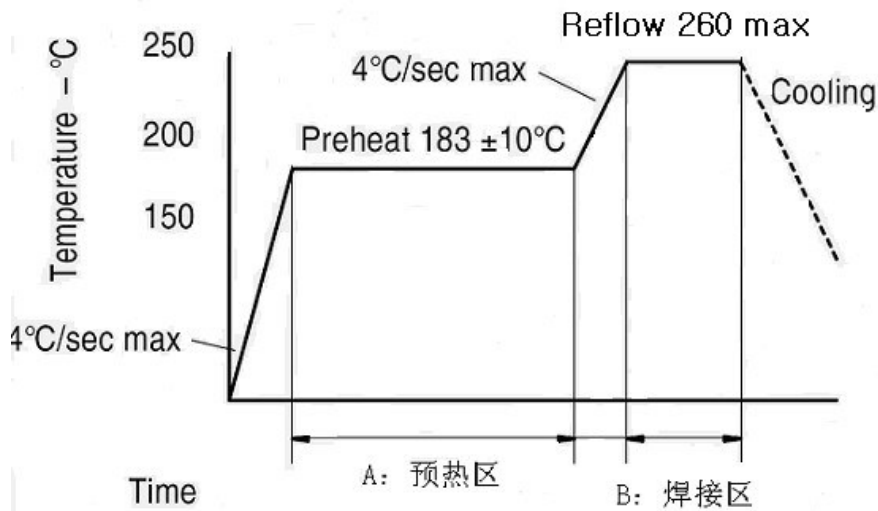


雅晶鑫電子

■ Input Output Condition



■ Reflow Profile



雅晶鑫電子

■ Reliability Specifications

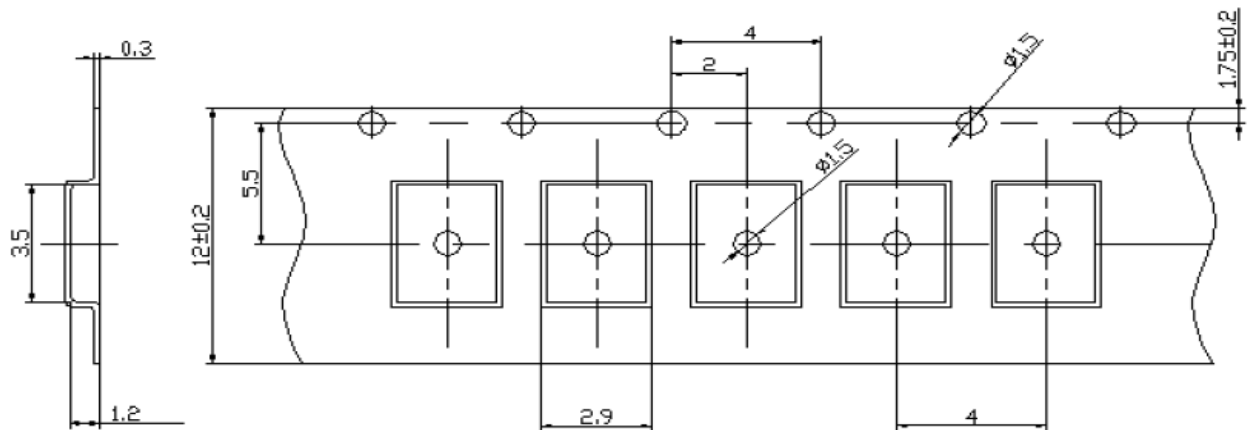
No	Test Item	Test Methods
1	DROP TEST	Device are dropped from a height of 75 cm onto 3 mm thickness stainless plate executing 3 times of random drops.
2	MECHANICAL SHOCK	Device are shocked to half sine wave (1000 G) three mutually perpendicular axes each 3 times.
3	High Temp and Humidity Test	85°C/RH 85%, 500Hrs
4	High temp storage test	125°C+/-2°C 500Hrs
5	Low temp storage test	-40°C 500Hrs
6	Thermal shock test	-40°C~+85°C DWEL 60' 100cycles
7	Aging test	85°C 500Hrs
8	Resistance to solder heat	260°C 10S
9	VIBRATION	Frequency range 10-2000 Hz Amplitude Sweep 1.5 mm Sweep Time 20 minute Test Time 2 hours
10	SOLDERABILITY	MIL - STD - 20E Method 208C Temperature 245°C±5°C Material H63A (Silver 2-3 %) Immersion depth 0.5 mm minimum Immersion time 3 ± 0.5 seconds Flux Rosin resin methyl

*****6*****

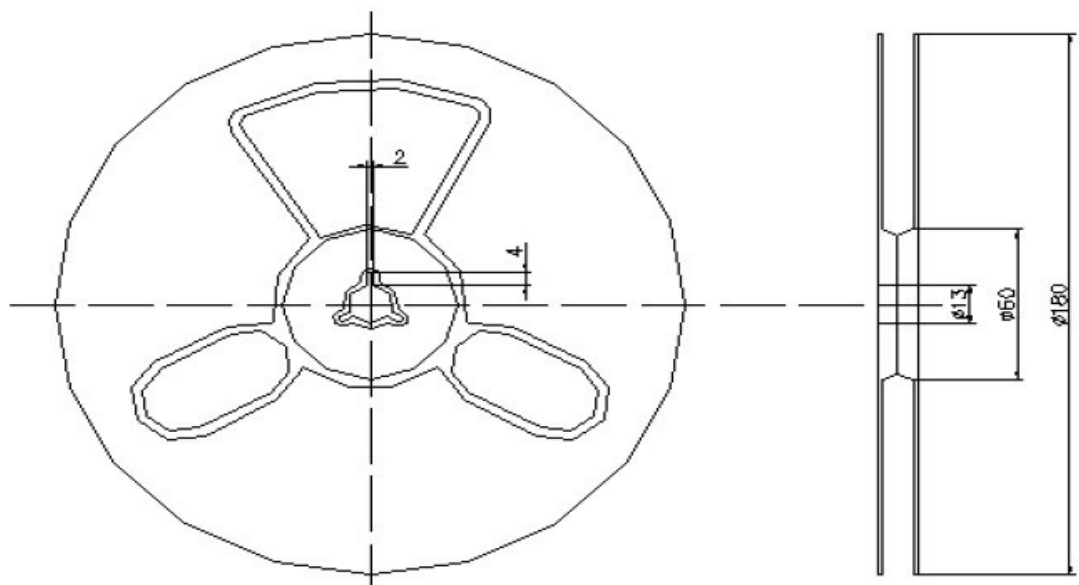
雅晶鑫電子

■ Packing

■ 编带 (TAPE)



■ 轮 (REEL)



*****7*****

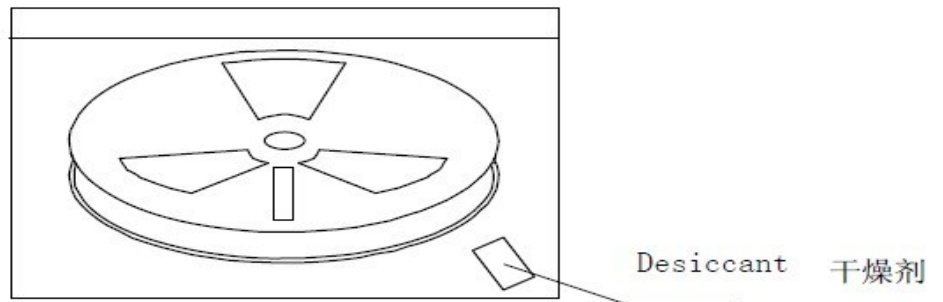
雅晶鑫電子

■ 包裝 (PACKAGE)

1. 自封袋 (Bag)

3000只=1 輪

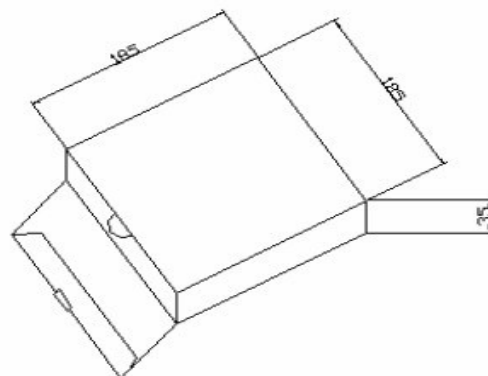
3000pcs=1 Reel



2. 內包裝 (Inside package)

1 輪=1 盒

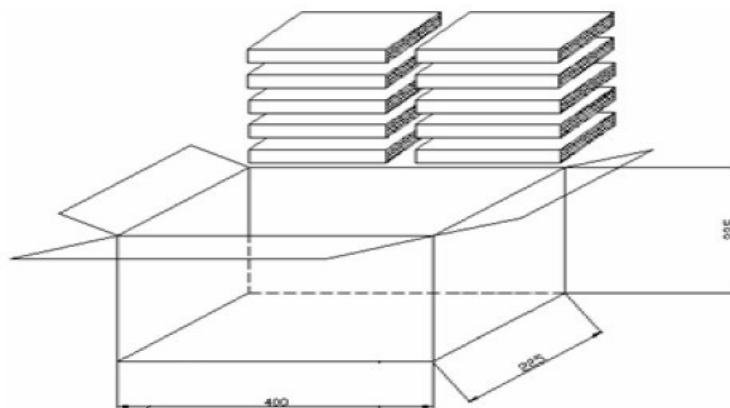
1 Reel=1 box



3. 外包裝 (outside Package)

10 盒=1 箱

10 box=1 carton



*****8*****

X-ON Electronics

Largest Supplier of Electrical and Electronic Components

Click to view similar products for [Yajingxin](#) manufacturer:

Other Similar products are found below :

[F252025MUBCE2O](#) [F252050MUBCE2O](#) [F25208MUBCE2O](#) [F3225100MWFCK2F466](#) [F3225125MWFCK2F466](#) [F322512MUBCE2O](#)
[F322516MUBCE2O](#) [F322525MUBCE2O](#) [F322527MUBCE2O](#) [F322540MUBCE2O](#) [F322550MUBCE2O](#) [F32258MUBCE2O](#)
[F503225MUBCE2O](#) [F503250MUBCE2O](#) [F50328MUBCE2O](#) [FO322525M4UFCE2T](#) [G322526MUBCK2O](#) [G322530MUBCK2O](#)
[G322532MUBCK2O](#) [G32258192MUBCK2O](#) [SX201232768K2QDCZ2T](#) [T201624MBBCE2X](#) [T201624MLBDE2X](#) [T201625MDBDE2X](#)
[T201625MFBDE2X](#) [T201625MLBDE2X](#) [T201640MFBDE2X](#) [T201648MFBDE2X](#) [T201650MDBDE2X](#) [T252024MDBDE2X](#)
[T252032MFBDD2X](#) [T322510MBBDE2X](#) [T322510MLBDE2X](#) [T322512.288MLBCE2X](#) [T322512MCBDE2X](#) [T32251352127MDBDE2X](#)
[T32251352127MHBDE2X](#) [T32251356MCBDE2X](#) [T322513598MLBDE2X](#) [T322516384MLBDE2X](#) [T322520MFBDE2X](#)
[T322524576MDBDE2X](#) [T322524MHBDD2X](#) [T322524MKBCD2X](#) [T322526MABDE2X](#) [T322526MFBCD2X](#) [T32252713827MLBDE2X](#)
[T322530MLBDD2X](#) [T322532768MLBDE2X](#) [T3225374MDBDE2X](#)