



Approval Sheet for Product Specification

Product Name: SMD 5.0*3.2 Crystal oscillator

Candor P/N: TAOM4.9152M4QWFCET2T

REV:A0

Customer P/N: _____

Company : _____

Division: _____

Approved by: _____

Date: _____

Checked by: _____ 2021.9.15 _____

Approval by: _____ 2021.9.15 _____



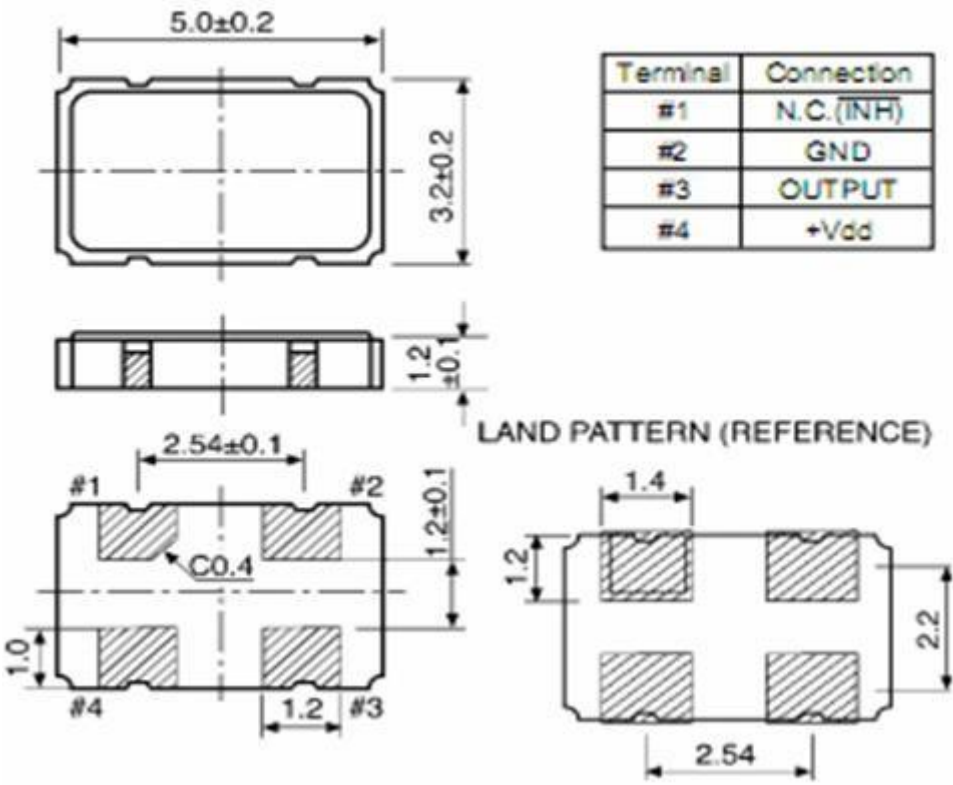
■ Electrical Specifications

1.Model No	5032 OSC
2.Nominal Frequency	4.9152MHz
3.Mode of Oscillation	Fundamental
4.Operating Temperature Range	-40°C to 85 °C
5.Storage Temperature Range	-55°C to +125°C
6.Frequency Stability	±20ppm
7.Power Supply Voltage	±3.3V
8.Input Current	10mA Max. : 1.500- 32.000MHz 15mA Max. : 32.001- 50.000MHz 25mA Max. : 50.000- 70.000MHz 60mA Max. : 70.001- 125.00MHz
9.Output Voltage	Logic High(Voh) 90%Vdd Min Logic Low(Vol) 10%Vdd Max
10.Output Load	15pF max CMOS Load
11.Semmetry (at 50%VDD)	40-60%Normal
12.Rise & Fall Time	8ns Max.
13.E/D or N/C.	Tri-state
14.Output Disable Time	100nsec
15.Output Enable Time(start-up time)	10msec max
16.Aging	±3ppm/year
17.Unit Weight	

■ Part Number Configuration

■ Dimensions

CXO-5032



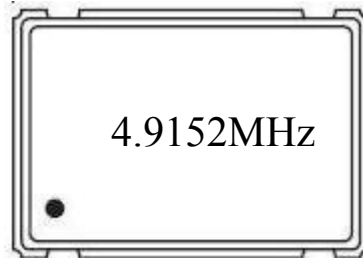
Pad	1	2	3	4
Connection	N.C.(INH)	GND	OUTPUT	VDD

*****3*****

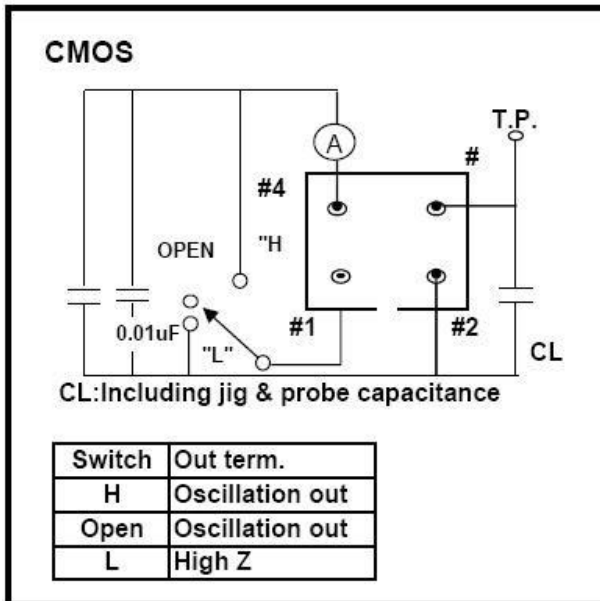
■ Marking

Line 1: 客户指定印字 →

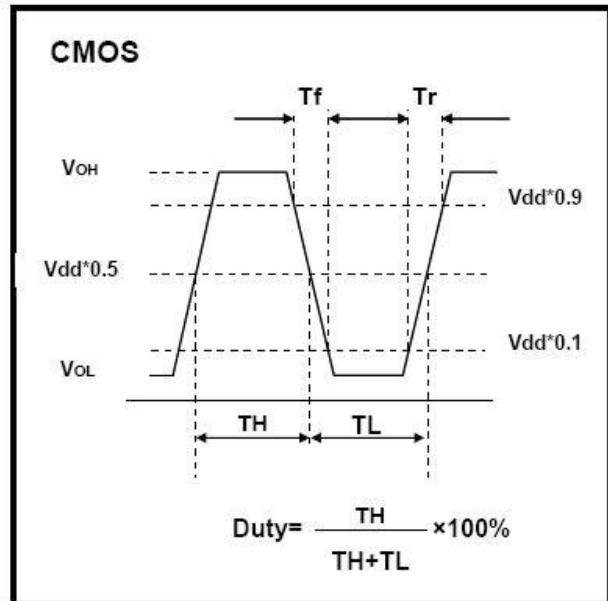
Line 2: ● → Pin#1 indication



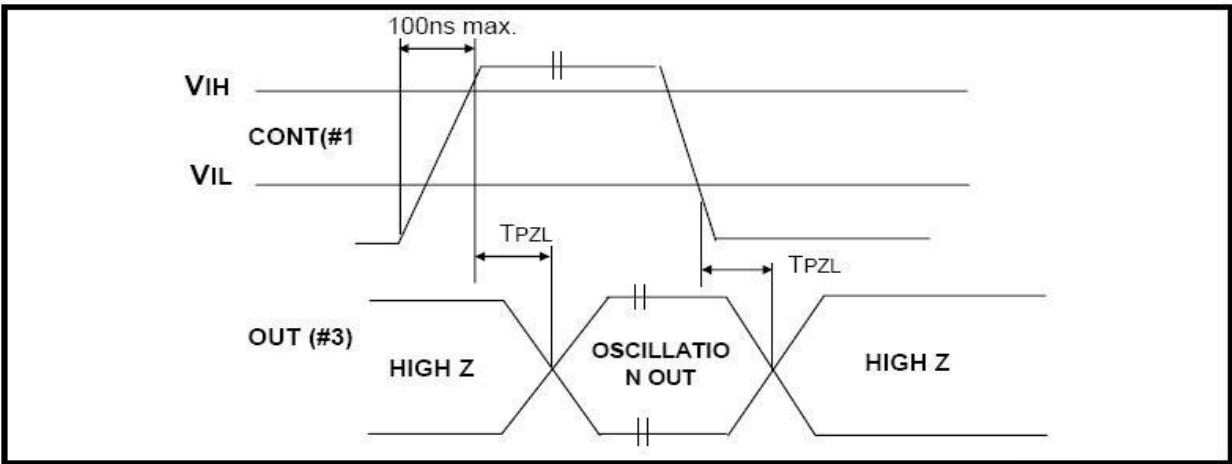
■ Measurement Circuit



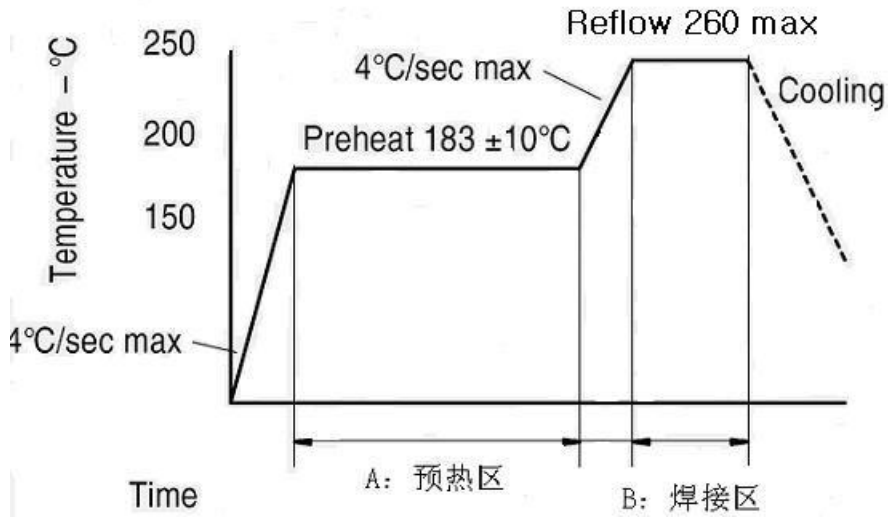
Output Wave Form



Input Output Condition



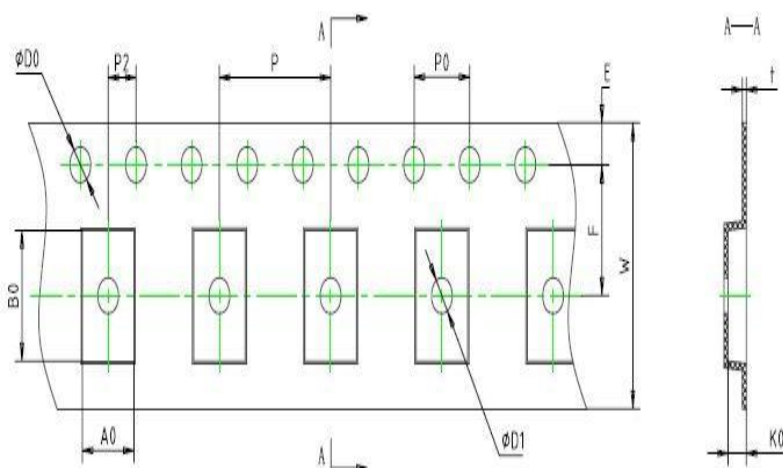
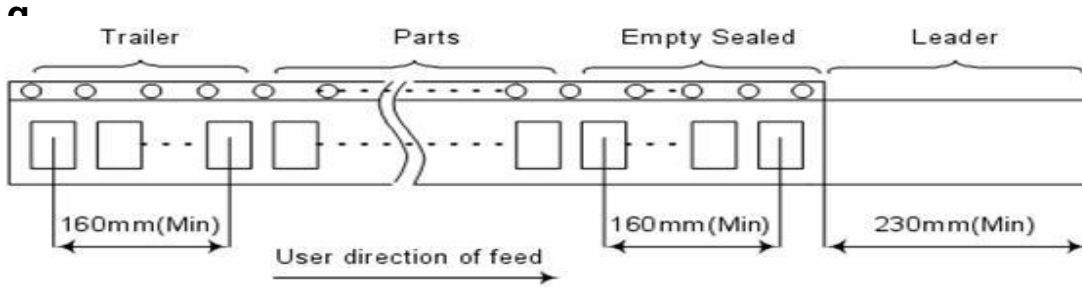
Reflow Profile



■ Reliability Specifications

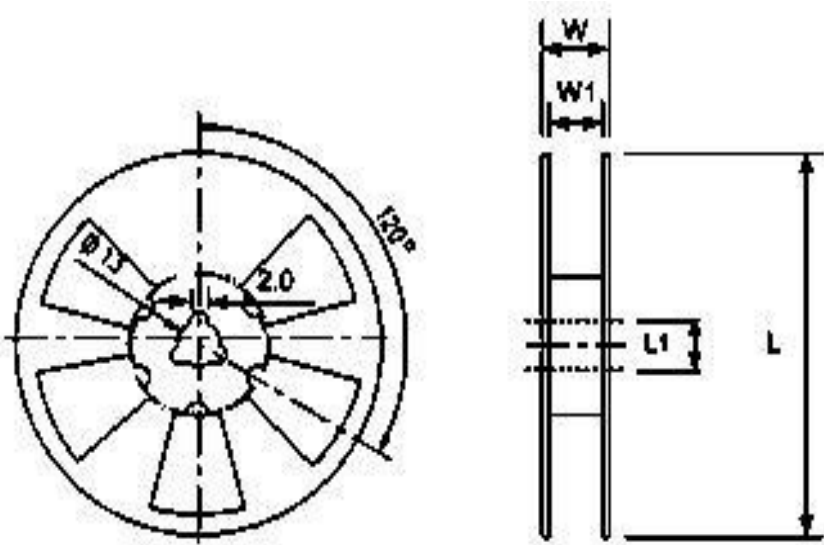
No	TestItem	Test Methods
1	DROP TEST	Device are dropped from a height of 75 cm onto 3 mm thickness stainless plate executing 3 times of random drops.
2	MECHANICAL SHOCK	Device are shocked to half sine wave (1000 G) three mutually perpendicular axes each 3 times.
3	High Temp and Humidity Test	85°C/RH 85%, 500Hrs
4	High temp storage test	125°C+/-2°C 500Hrs
5	Low temp storage test	-40°C 500Hrs
6	Thermal shock test	-40°C~+85°C DWEL 60' 100cycles
7	Aging test	85°C 1000Hrs
8	Resistance to solder heat	260°C 10S
9	VIBRATION	Frequency range 10-2000 Hz Amplitude Sweep 1.5 mm Sweep Time 20 minute Test Time 2 hours
10	SOLDERABILITY	MIL - STD - 20E Method 208C Temperature 245°C±5°C Material H63A (Silver 2-3 %) Immersion depth 0.5 mm minimum Immersion time 3 ± 0.5 seconds Flux Rosin resin methyl

■ Packin



外觀	尺寸 (mm)
E	1.75 ± 0.10
E2	10.25MIN
F	5.50 ± 0.10
P2	2.00 ± 0.10
$\phi D0$	$1.50 \begin{smallmatrix} +0.10 \\ -0.00 \end{smallmatrix}$
$\phi D1$	1.50MIN
P0	4.00 ± 0.10
10P0	40.00 ± 0.2
W	12.00 ± 0.30
P	8.00 ± 0.10
A0	3.70 ± 0.10
B0	5.50 ± 0.10
K0	1.30 ± 0.10
t	0.30 ± 0.05

■ Reel Dimension



DEMONSTRATIONS [Ⓢ]	L [Ⓢ]	L1 [Ⓢ]	W [Ⓢ]	W1 [Ⓢ]	Pcs/Reel (UNIT: mm) [Ⓢ]
	178 [Ⓢ]	13 [Ⓢ]	12.0+/-0.3 [Ⓢ]	11.5 [Ⓢ]	Standard Reel Quantity is 1,000 pcs per reel [Ⓢ]

NOTE: 1. packgeing q'ty 1000PCS /REEL

*****8*****

X-ON Electronics

Largest Supplier of Electrical and Electronic Components

Click to view similar products for [Yajingxin](#) manufacturer:

Other Similar products are found below :

[F252025MUBCE2O](#) [F252050MUBCE2O](#) [F25208MUBCE2O](#) [F3225100MWFCK2F466](#) [F3225125MWFCK2F466](#) [F322512MUBCE2O](#)
[F322516MUBCE2O](#) [F322525MUBCE2O](#) [F322527MUBCE2O](#) [F322540MUBCE2O](#) [F322550MUBCE2O](#) [F32258MUBCE2O](#)
[F503225MUBCE2O](#) [F503250MUBCE2O](#) [F50328MUBCE2O](#) [FO322525M4UFCE2T](#) [G322526MUBCK2O](#) [G322530MUBCK2O](#)
[G322532MUBCK2O](#) [G32258192MUBCK2O](#) [SX201232768K2QDCZ2T](#) [T201624MBBCE2X](#) [T201624MLBDE2X](#) [T201625MDBDE2X](#)
[T201625MFBDE2X](#) [T201625MLBDE2X](#) [T201640MFBDE2X](#) [T201648MFBDE2X](#) [T201650MDBDE2X](#) [T252024MDBDE2X](#)
[T252032MFBDD2X](#) [T322510MBBDE2X](#) [T322510MLBDE2X](#) [T322512.288MLBCE2X](#) [T322512MCBDE2X](#) [T32251352127MDBDE2X](#)
[T32251352127MHBDE2X](#) [T32251356MCBDE2X](#) [T322513598MLBDE2X](#) [T322516384MLBDE2X](#) [T322520MFBDE2X](#)
[T322524576MDBDE2X](#) [T322524MHBDD2X](#) [T322524MKBCD2X](#) [T322526MABDE2X](#) [T322526MFBCD2X](#) [T32252713827MLBDE2X](#)
[T322530MLBDD2X](#) [T322532768MLBDE2X](#) [T3225374MDBDE2X](#)