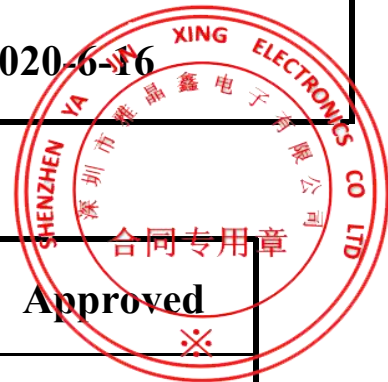


雅晶鑫電子

Shenzhen Yajingxin Electron Co.,Ltd

<b>Customer</b>	
<b>Production Name</b>	SMD OSC SEAM 3.2*2.5
<b>Customer P/N</b>	N/A
<b>P/N</b>	TFOM16M4RWKCNT2T
<b>Revision</b>	A
<b>Print Date</b>	2020-6-16



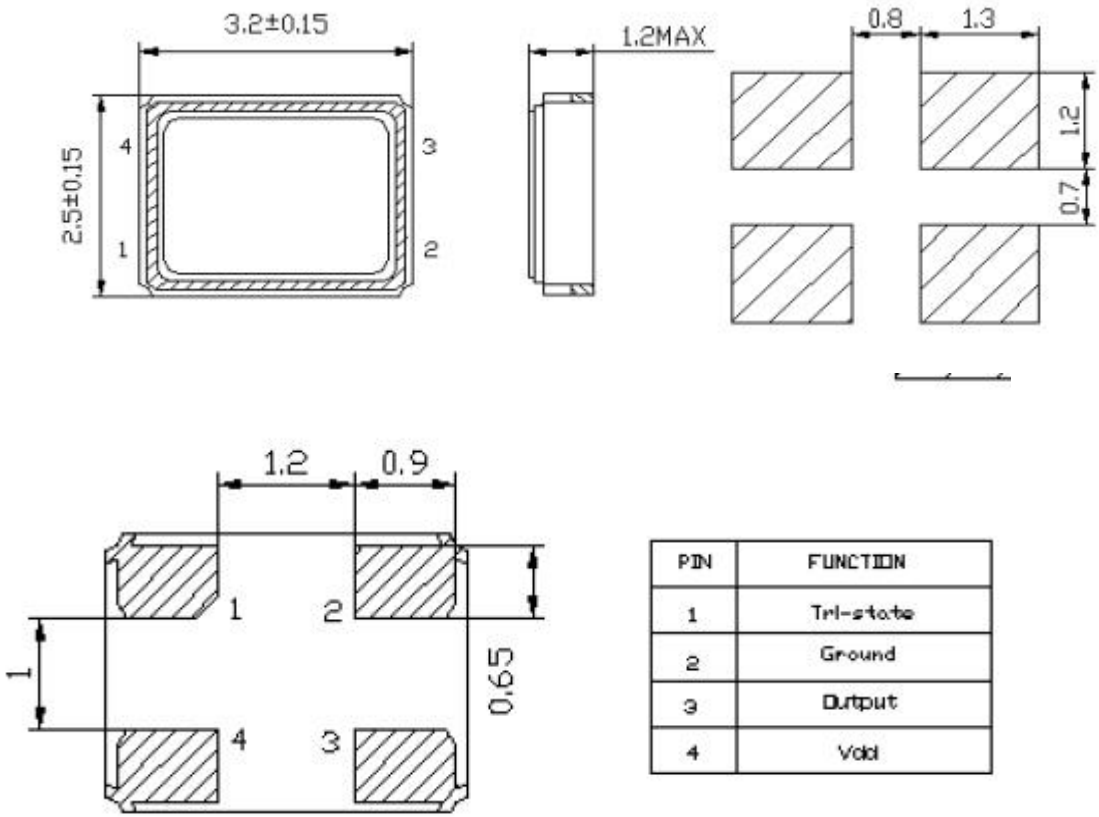
<b>Drawn</b>	<b>Checked</b>	<b>Approved</b>



RoHS Compliant

1.Model No	3225 OSC	
2.Nominal Frequency	16.000MHz	
3.Mode of Oscillation	Fundamental	
4.Operating Temperature Range	-40°C to 85 °C	
5.Storage Temperature Range	-55°C to +125°C	
6.Frequency Stability	±50ppm	
7.Power Supply Voltage	3.3±10%	
8.Input Current	10mA Max. : 1.500- 32.000MHz 15mA Max. : 32.001- 50.000MHz 25mA Max. : 50.000- 70.000MHz 60mA Max. : 70.001- 125.00MHz	
9.Output Voltage	Logic High(Voh)	90%Vdd Min
	Logic Low(Vol)	10%Vdd Max
10.Output Load	15pF max CMOS Load	
11.Semmetry (at 50%VDD)	40-60%Normal	
12.Rise & Fall Time	8ns Max.	
13.E/D or N/C.	Tri-state	
14.Output Disable Time	100nsec	
15.Output Enable Time(start-up time)	10msec max	
16.Aging	±3ppm/year	
17.Unit Weight		

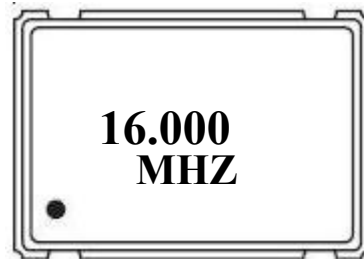
■ Dimensions



■ Marking

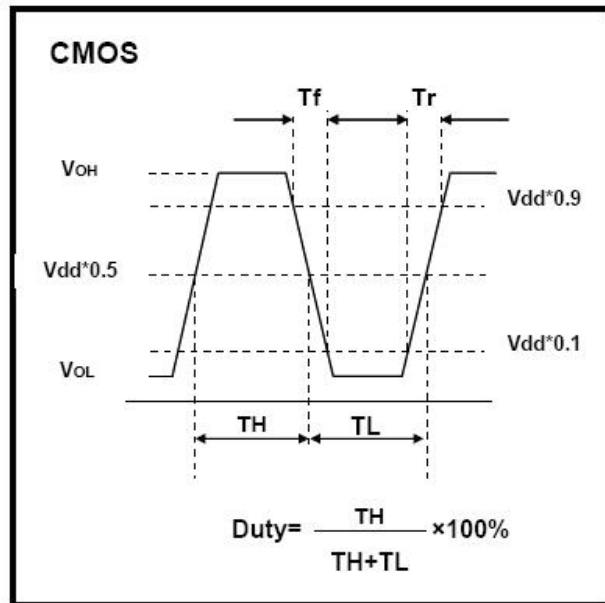
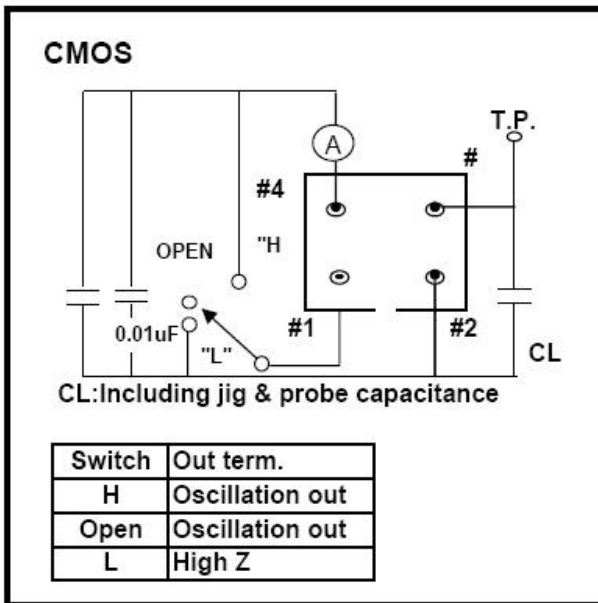
Line 1: 客户指定印字→

Line 2: ● → Pin#1 indication

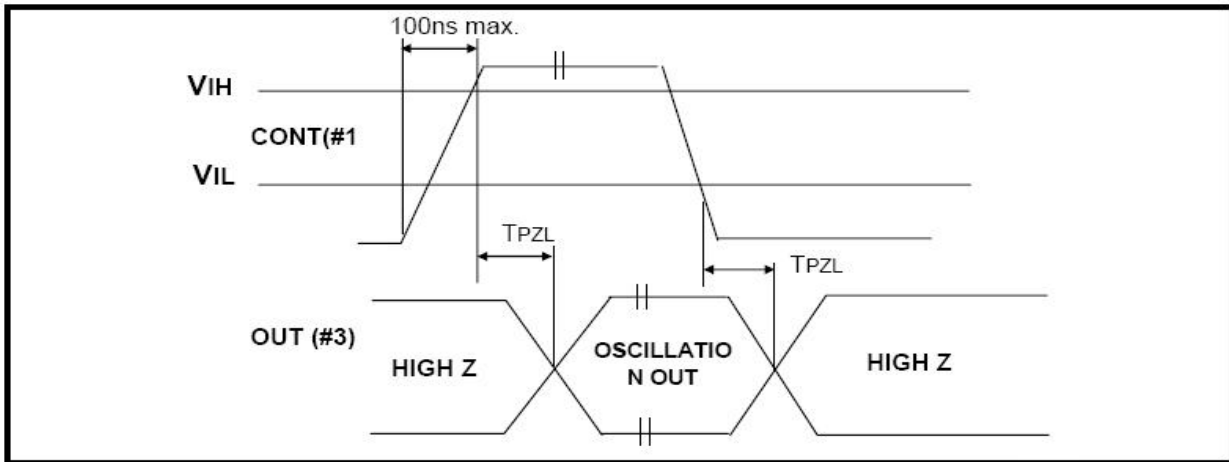


■ Measurement Circuit

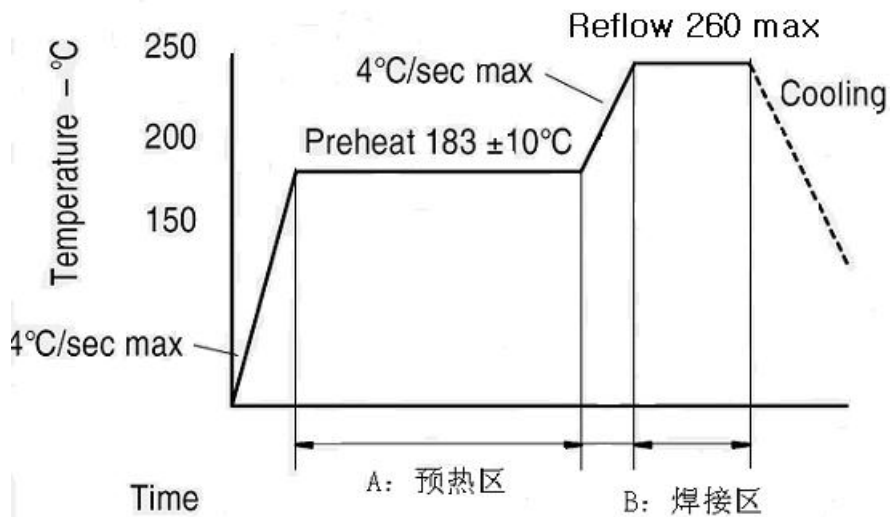
Output Wave Form



■ Input Output Condition



■ Reflow Profile

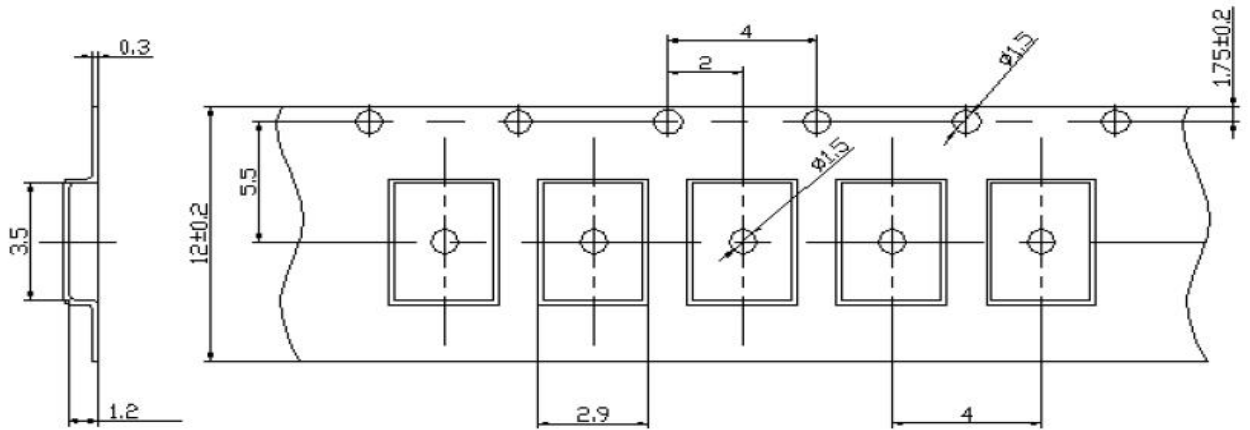


■ Reliability Specifications

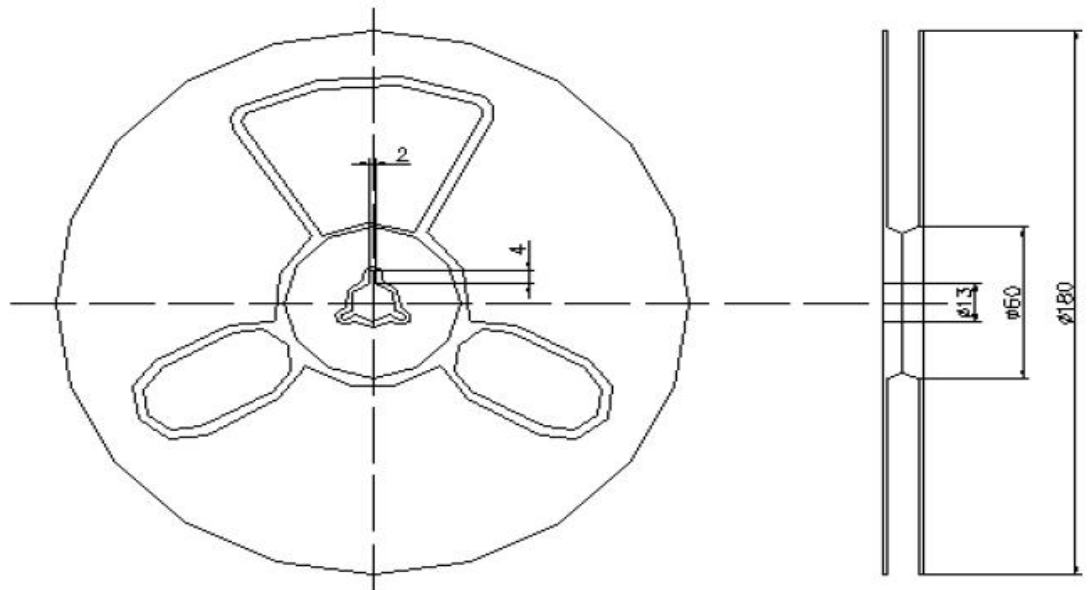
No	Test Item	Test Methods
1	DROP TEST	Device are dropped from a height of 75 cm onto 3 mm thickness stainless plate executing 3 times of random drops.
2	MECHANICAL SHOCK	Device are shocked to half sine wave (1000 G) three mutually perpendicular axes each 3 times.
3	High Temp and Humidity Test	85°C/RH 85%, 500Hrs
4	High temp storage test	125°C+/-2°C 500Hrs
5	Low temp storage test	-40°C 500Hrs
6	Thermal shock test	-40°C~+85°C DWEL 60' 100cycles
7	Aging test	85°C 500Hrs
8	Resistance to solder heat	260°C 10S
9	VIBRATION	Frequency range 10-2000 Hz Amplitude Sweep 1.5 mm Sweep Time 20 minute Test Time 2 hours
10	SOLDERABILITY	MIL - STD - 20E Method 208C Temperature 245°C±5°C Material H63A (Silver 2-3 %) Immersion depth 0.5 mm minimum Immersion time 3 ± 0.5 seconds Flux Rosin resin methyl

■ Packing

■ 编带 (TAPE)



■ 轮 (REEL)



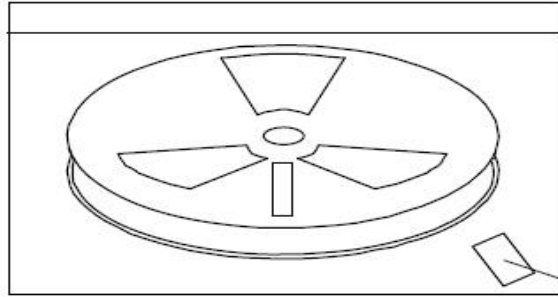
\*\*\*\*\*7\*\*\*\*\*

## ■ 包装 (PACKAGE)

1. 自封袋 (Bag)

3000只=1 轮

3000pcs=1 Reel

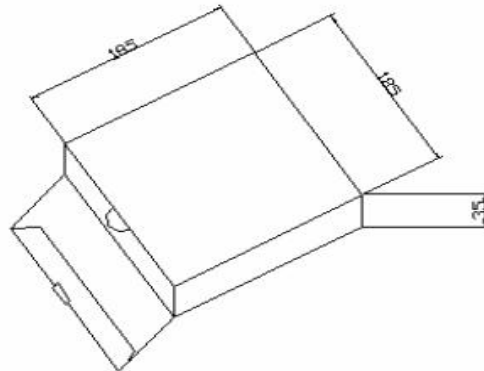


Desiccant 干燥剂

2. 内包装 (Inside package)

1 轮=1 盒

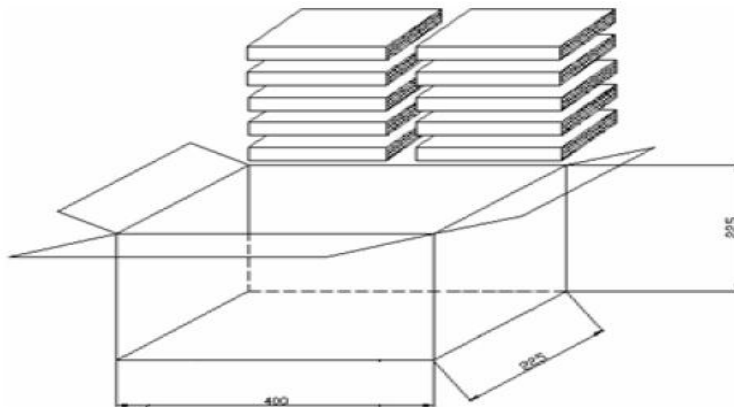
1 Reel=1 box



3. 外包装 (outside Package )

10 盒=1 箱

10 box=1 carton



\*\*\*\*\*8\*\*\*\*\*



## X-ON Electronics

Largest Supplier of Electrical and Electronic Components

*Click to view similar products for [Yajingxin](#) manufacturer:*

Other Similar products are found below :

[TAXD26M2BLDBET2S](#) [TFOM8M4QHKCNT2T](#) [TX49M13.52127M2DDBE2T](#) [T322550MDBDE2X](#) [T201625MDBDE2X](#)  
[TAXD29.4912M2GLDBET2S](#) [G322530MUBCK2O](#) [G32258192MUBCK2O](#) [T3225984375MLBDE2X](#) [T322554MDBDE2X](#)  
[T252024MDBDE2X](#) [T201624MLBDE2X](#) [T322526MABDE2X](#) [T322524576MDBDE2X](#) [T32251352127MHBDE2X](#) [T322510MBBDE2X](#)  
[T32251356MCBDE2X](#) [T3225374MHBDE2X](#) [T201625MFBDE2X](#) [T322513598MLBDE2X](#) [T322520MFBDE2X](#) [T322516384MLBDE2X](#)  
[T32251352127MDBDE2X](#) [T32252713827MLBDE2X](#) [T201648MFBDE2X](#) [T201650MDBDE2X](#) [G322532MUBCK2O](#) [T201640MFBDE2X](#)  
[TFOM25M4QWKCNT2T](#) [F503250MUBCE2O](#) [T3225374MDBDE2X](#) [F3225100MWFCK2F466](#) [T49S25MLDBE2X](#) [FO322525M4UFCE2T](#)  
[TAXD68.5K2BGDBZT2S](#) [TAXD75K2BGKBZT2S](#) [F3225125MWFCK2F466](#) [TX503224M4LDDD2T](#) [TAXD24M2GFBBET2S](#)  
[TFOM12M4QWKCNT2T](#) [F503225MUBCE2O](#) [F50328MUBCE2O](#) [TAOM4.9152M4QWFCET2T](#) [TX49M13.52127M2LDBE2T](#)  
[TAXD27M2GLDBET2S](#) [TX503212M2LDCE1T](#) [TAXD30K2CGDAZT2S](#) [F322525MUBCE2O](#) [TFOM16M4RWKCNT2T](#)  
[TAXD10.245M2CJDBET2S](#)