

雅晶鑫電子

Shenzhen Yajingxin Electron Co.,Ltd

Customer	
Production Name	SMD OSC SEAM 5.0*3.2
Customer P/N	N/A
P/N	TFOM25M4QWKCNT2T
Revision	A
Print Date	2022/4/9



Drawn	Checked	Approved



RoHS Compliant

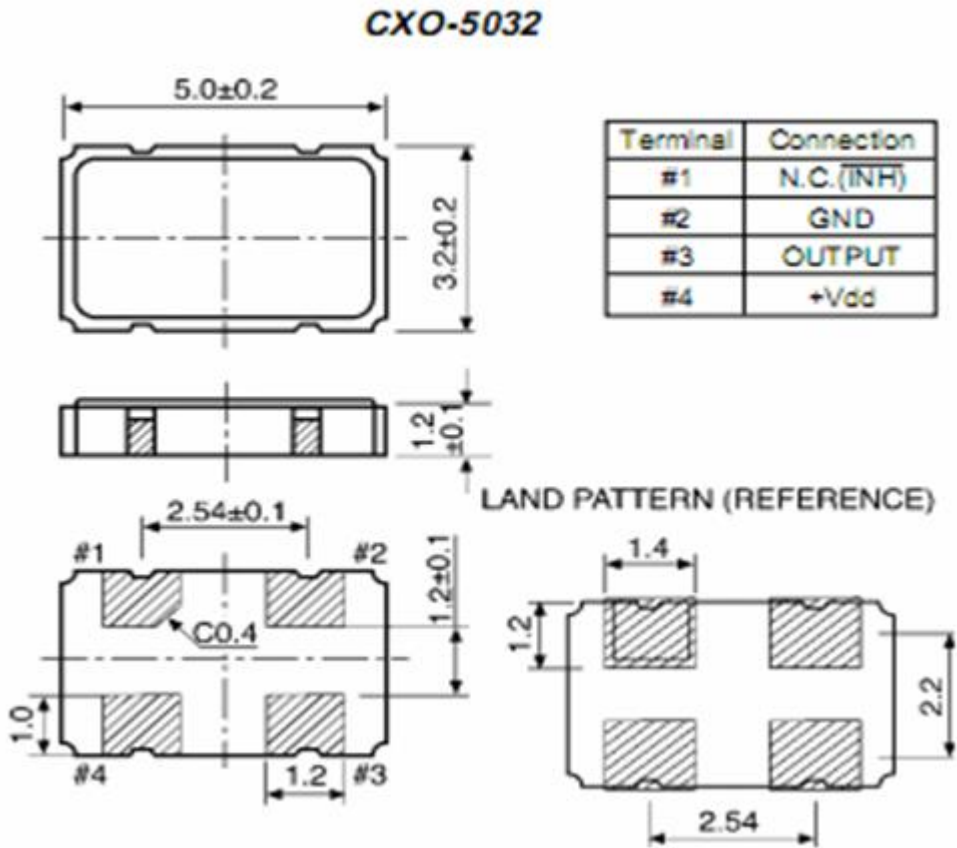
■ Electrical Specifications

1.Model No	5032 OSC	
2.Nominal Frequency	25.000MHz	
3.Mode of Oscillation	Fundamental	
4.Operating Temperature Range	-40℃ to 85 ℃	
5.Storage Temperature Range	-55℃ to +125℃	
6.Frequency Stability	±50ppm	
7.Power Supply Voltage	3.3V±5%	
8.Input Current	10mA Max. : 1.500- 32.000MHz 15mA Max. : 32.001- 50.000MHz 25mA Max. : 50.000- 70.000MHz 60mA Max. : 70.001- 125.00MHz	
9.Output Voltage	Logic High(Voh)	90%Vdd Min
	Logic Low(Vol)	10%Vdd Max
10.Output Load	15pF max CMOS Load	
11.Semmetry (at 50%VDD)	40-60%Normal	
12.Rise & Fall Time	8ns Max.	
13.E/D or N/C.	Tri-state	
14.Output Disable Time	100nsec	
15.Output Enable Time(start-up time)	10msec max	
16.Aging	±3ppm/year	
17.Unit Weight		

■ Part Number Configuration

*****2*****

■ Dimensions

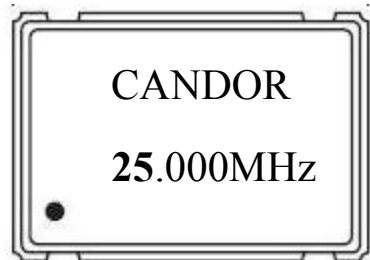


Pad	1	2	3	4
Connection	N.C.(INH)	GND	OUTPUT	VDD

■ Marking

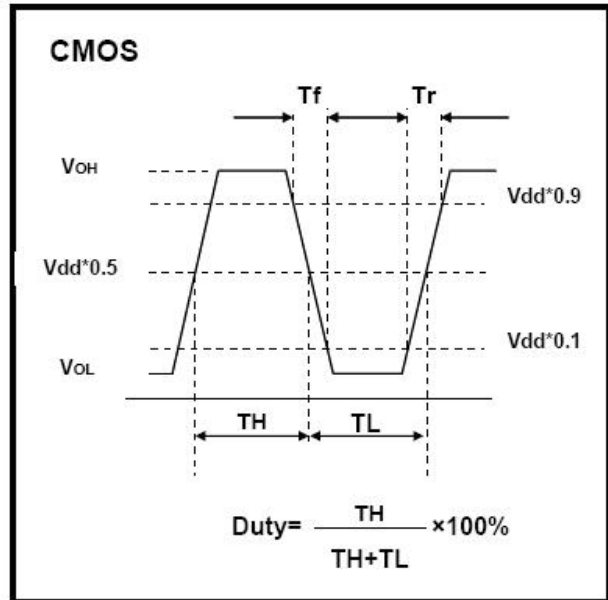
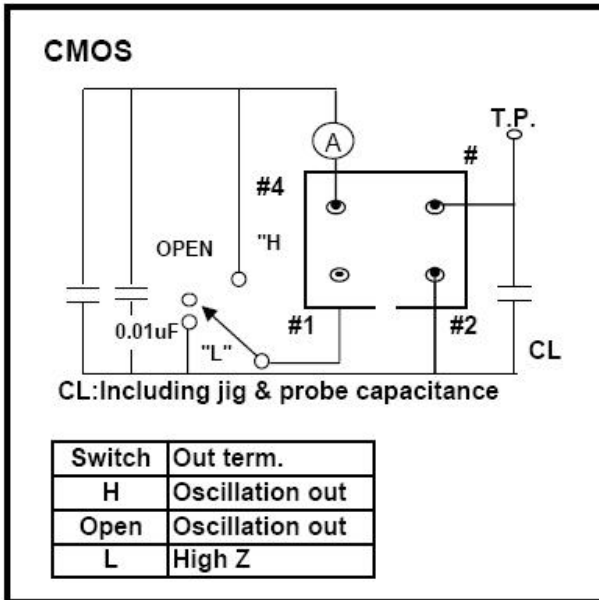
Line 1: 客户指定印字 →

Line 2: ● → Pin#1 indication



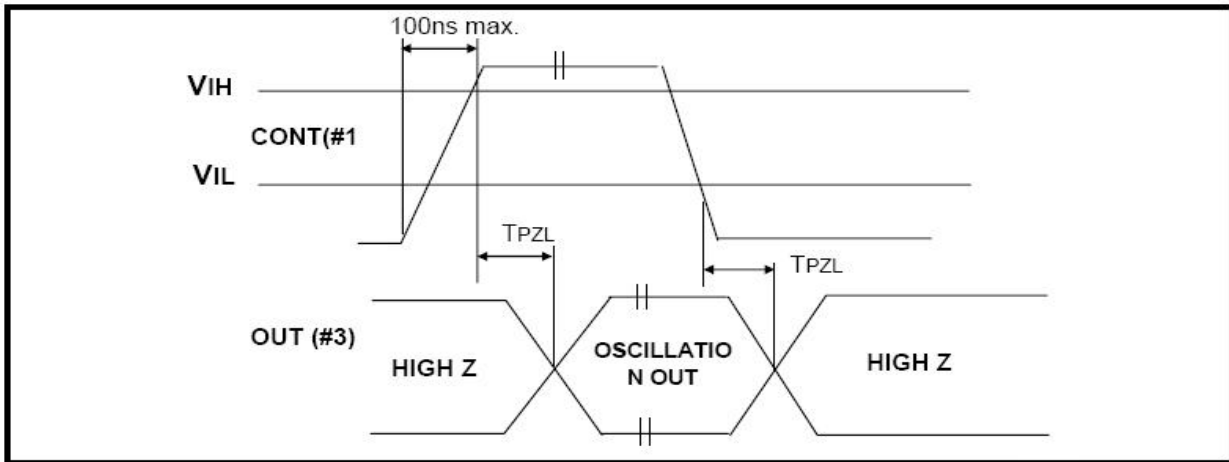
■ Measurement Circuit

Output Wave Form

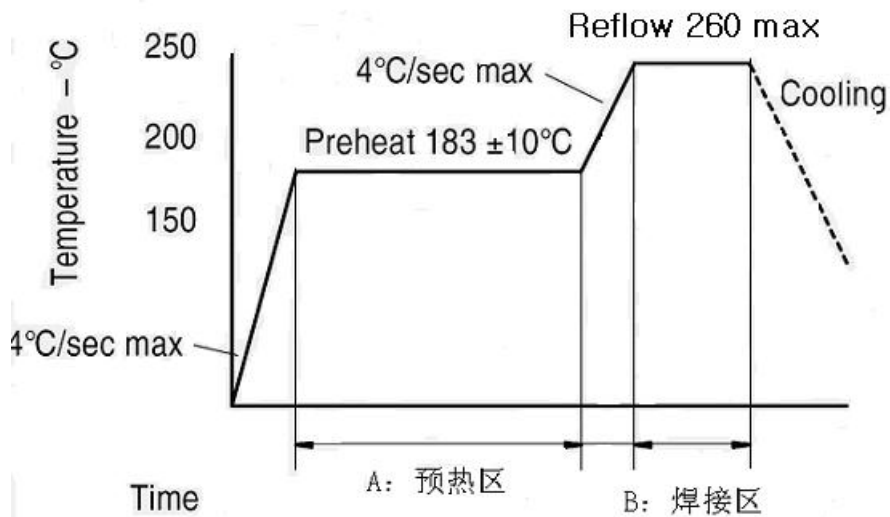


■ Input Output Condition

*****4*****



■ Reflow Profile



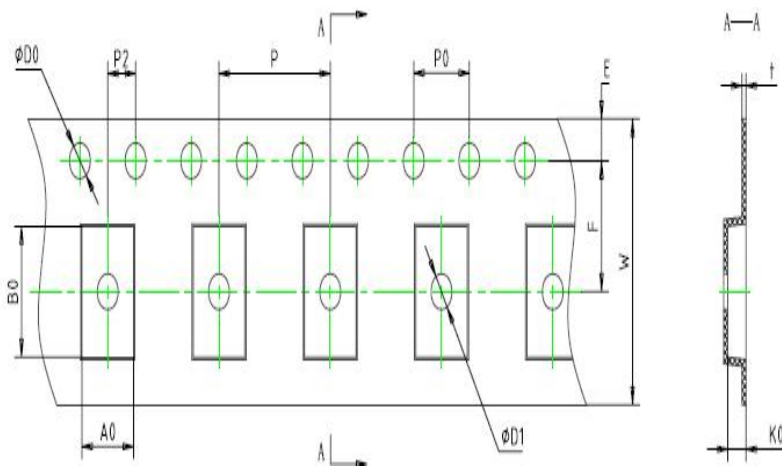
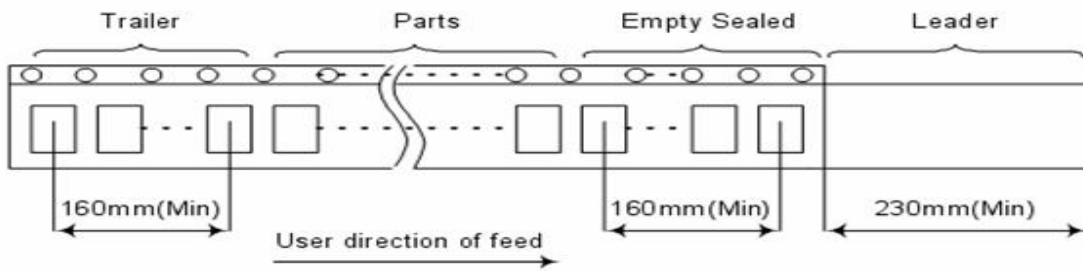
■ Reliability Specifications

*****5*****

No	Test Item	Test Methods
1	DROP TEST	Device are dropped from a height of 75 cm onto 3 mm thickness stainless plate executing 3 times of random drops.
2	MECHANICAL SHOCK	Device are shocked to half sine wave (1000 G) three mutually perpendicular axes each 3 times.
3	High Temp and Humidity Test	85°C/RH 85%, 500Hrs
4	High temp storage test	125°C+/-2°C 500Hrs
5	Low temp storage test	-40°C 500Hrs
6	Thermal shock test	-40°C~+85°C DWEL 60' 100cycles
7	Aging test	85°C 1000Hrs
8	Resistance to solder heat	260°C 10S
9	VIBRATION	Frequency range 10-2000 Hz Amplitude Sweep 1.5 mm Sweep Time 20 minute Test Time 2 hours
10	SOLDERABILITY	MIL - STD - 20E Method 208C Temperature 245°C±5°C Material H63A (Silver 2-3 %) Immersion depth 0.5 mm minimum Immersion time 3 ± 0.5 seconds Flux Rosin resin methyl

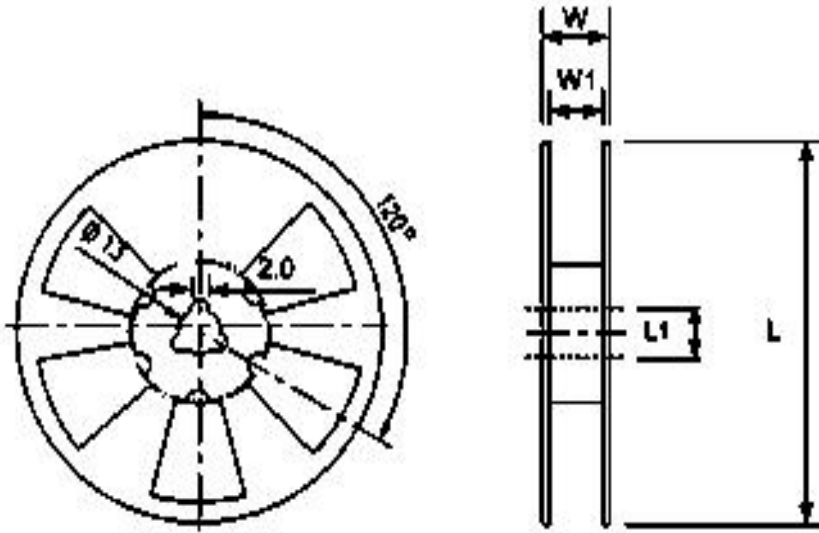
■ Packing

*****6*****



外觀	尺寸 (mm)
E	1.75±0.10
E2	10.25MIN
F	5.50±0.10
P2	2.00±0.10
$\phi D0$	1.50 ^{+0.10} _{-0.00}
$\phi D1$	1.50MIN
P0	4.00±0.10
10P0	40.00±0.2
W	12.00±0.30
P	8.00±0.10
A0	3.70±0.10
B0	5.50±0.10
K0	1.30±0.10
t	0.30±0.05

■ Reel Dimension



DIMENSIONS [Ⓢ]	L [Ⓢ]	L1 [Ⓢ]	W [Ⓢ]	W1 [Ⓢ]	Pcs/Reel (UNIT: mm) [Ⓢ]
		178 [Ⓢ]	13 [Ⓢ]	12.0+/-0.3 [Ⓢ]	11.5 [Ⓢ]

NOTE: 1. packgeing q'ty 1000PCS /REEL

*****8*****

X-ON Electronics

Largest Supplier of Electrical and Electronic Components

Click to view similar products for [Yajingxin](#) manufacturer:

Other Similar products are found below :

[TAXD26M2BLDBET2S](#) [TFOM8M4QHKCNT2T](#) [TX49M13.52127M2DDBE2T](#) [T322550MDBDE2X](#) [T201625MDBDE2X](#)
[TAXD29.4912M2GLDBET2S](#) [G322530MUBCK2O](#) [G32258192MUBCK2O](#) [T3225984375MLBDE2X](#) [T322554MDBDE2X](#)
[T252024MDBDE2X](#) [T201624MLBDE2X](#) [T322526MABDE2X](#) [T322524576MDBDE2X](#) [T32251352127MHBDE2X](#) [T322510MBBDE2X](#)
[T32251356MCBDE2X](#) [T3225374MHBDE2X](#) [T201625MFBDE2X](#) [T322513598MLBDE2X](#) [T322520MFBDE2X](#) [T322516384MLBDE2X](#)
[T32251352127MDBDE2X](#) [T32252713827MLBDE2X](#) [T201648MFBDE2X](#) [T201650MDBDE2X](#) [G322532MUBCK2O](#) [T201640MFBDE2X](#)
[TFOM25M4QWKCNT2T](#) [F503250MUBCE2O](#) [T3225374MDBDE2X](#) [F3225100MWFCK2F466](#) [T49S25MLDBE2X](#) [FO322525M4UFCE2T](#)
[TAXD68.5K2BGDBZT2S](#) [TAXD75K2BGKBZT2S](#) [F3225125MWFCK2F466](#) [TX503224M4LDDD2T](#) [TAXD24M2GFBBET2S](#)
[TFOM12M4QWKCNT2T](#) [F503225MUBCE2O](#) [F50328MUBCE2O](#) [TAOM4.9152M4QWFCET2T](#) [TX49M13.52127M2LDBE2T](#)
[TAXD27M2GLDBET2S](#) [TX503212M2LDCE1T](#) [TAXD30K2CGDAZT2S](#) [F322525MUBCE2O](#) [TFOM16M4RWKCNT2T](#)
[TAXD10.245M2CJDBET2S](#)