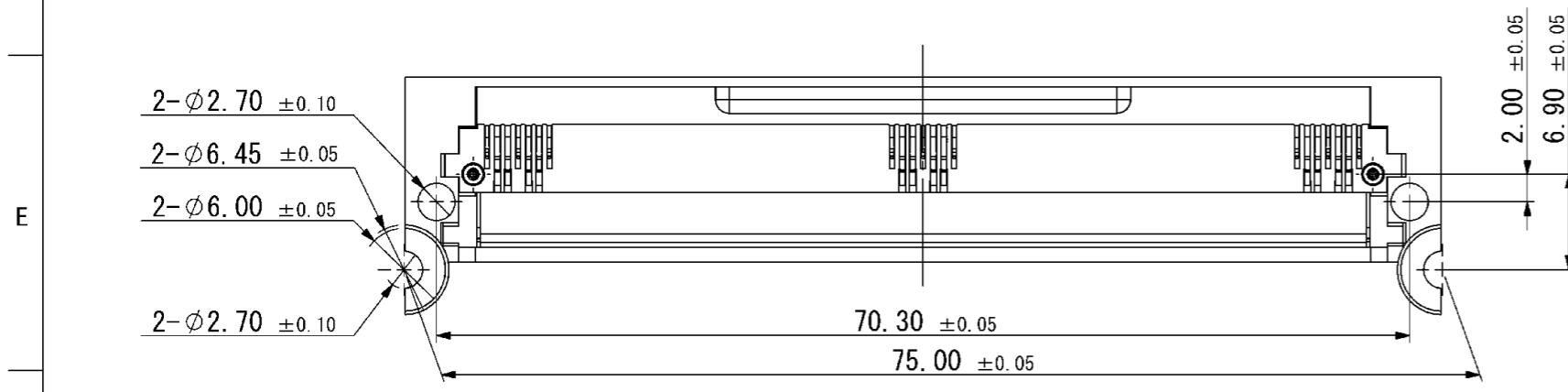
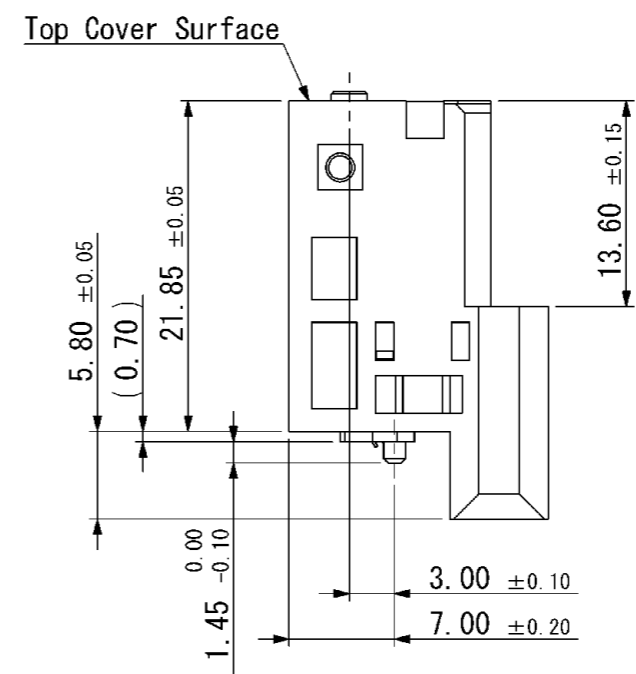
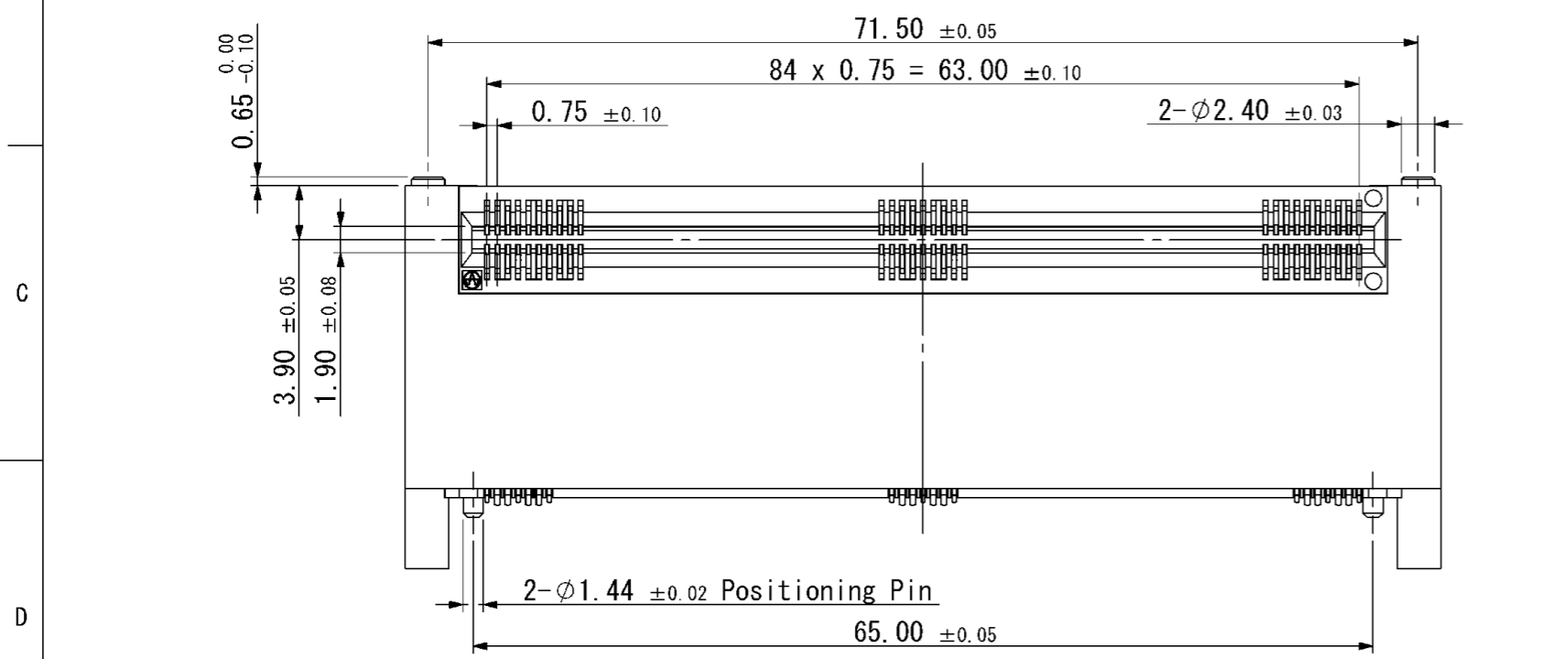
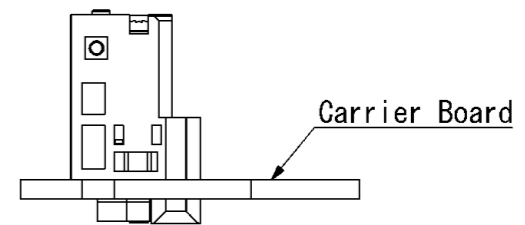
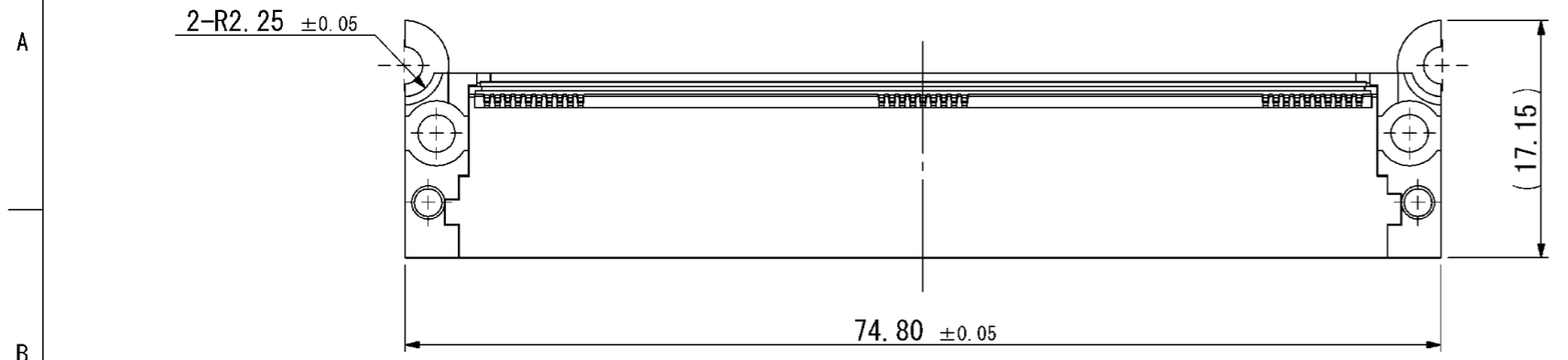


記号x数	変更内容 REVISION DESCRIPTION	承認	検図	担当	年月日	変更通知書No.
△ x 2	Add dimension .Clerical error correction	M. Igarashi	T. Kimoto	M. Taniguchi	06/04/19	M109949
△ x 1	Shape change	M. Ooya	M. Igarashi	M. Taniguchi	07/02/22	M112492
△ x 1	Clerical error correction	M. Ooya	M. Igarashi	M. Taniguchi	07/03/22	M112738
△ x 3	Clerical error correction	M. Ooya	M. Igarashi	M. Taniguchi	07/09/26	M114411
△ x 1	Size addition of Outaway Bay PCB	M. Ooya	M. Igarashi	M. Taniguchi	08/07/09	M116492



16	Mounting Screw	2	SUS, M2.5 L25.0	(Attached)
15	Carrier Board Stiffener Insulator	1	PA9T (UL94V-0)	Black (Attached)
14	Carrier Board Stiffener	1	SUS	(Attached)
13	Pin2	2	SUS	---
12	FPC Spacer	1	PBT (UL94V-0)	Black
11	FPC	1	LCP/Cu	Ni-Au
10	Pin1	2	BS, DIA1.55	Ni-Au
9	Spacer 1	1	SPS (UL94V-0)	Black
8	Metal Stiffener	2	SUS	---
7	Retention Block	1	PA9T (UL94V-0)	Black
6	Contact 3	85	BeCu t0.18	Ni-Au
5	Carrier Conn Insulator	1	SPS (UL94V-0)	Black
4	Contact 2	85	BeCu t0.23	Ni
3	Contact 1	85	BeCu t0.23	Ni-Au
2	Card Edge Insulator	1	LCP (UL94V-0)	Black
1	Case	1	PA9T (UL94V-0)	Black
部品番号 ITEM	部品名 DESCRIPTION	個数 QTY.	材質・寸度 MATERIAL	記事 CONTENT

指定外公差 ±0.3
Tolerances ±0.3 unless otherwise specified.
()寸法は参考値 ()Reference value.

山一電機株式会社
YAMAICHI ELECTRONICS Co.,Ltd.

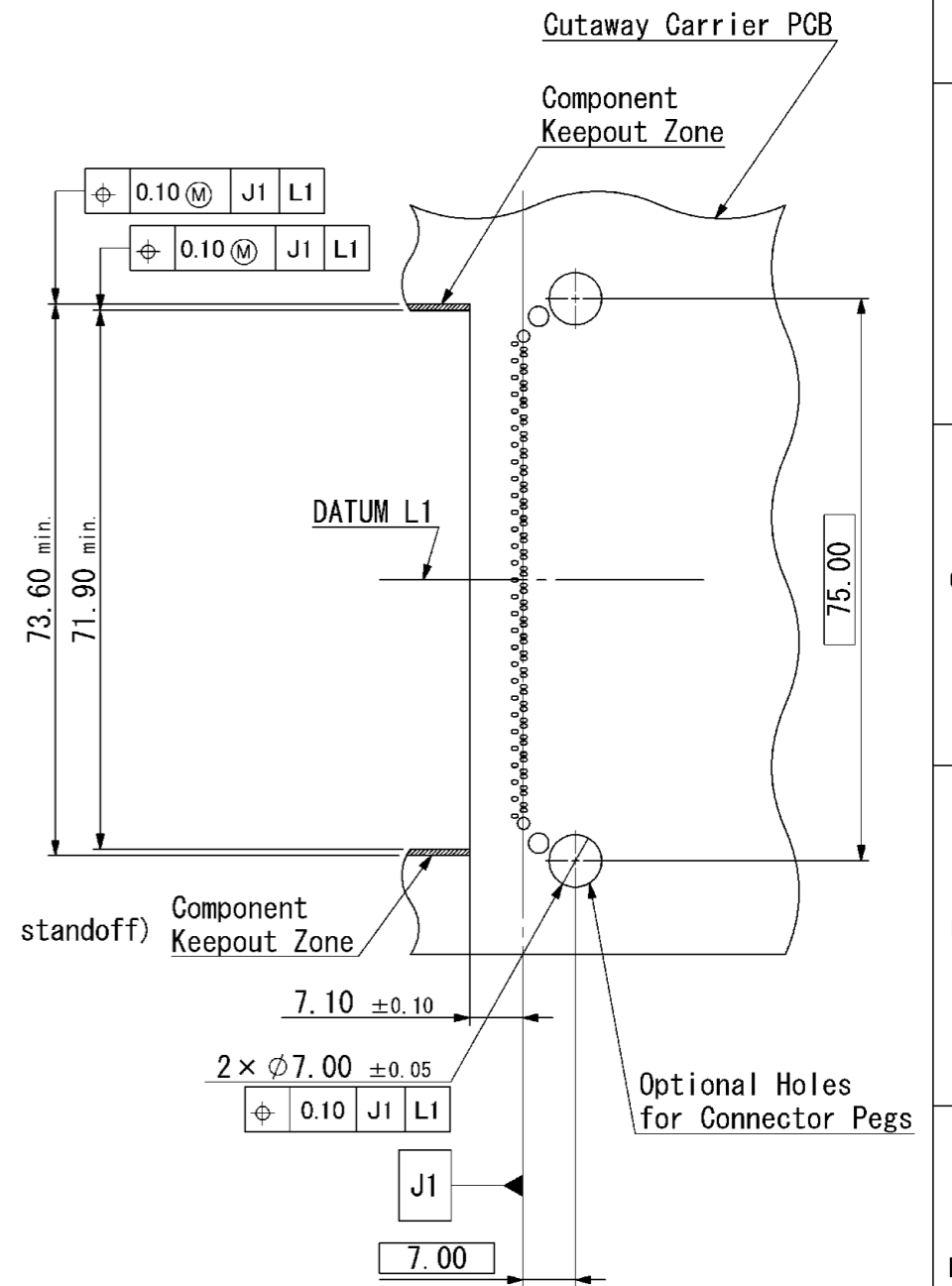
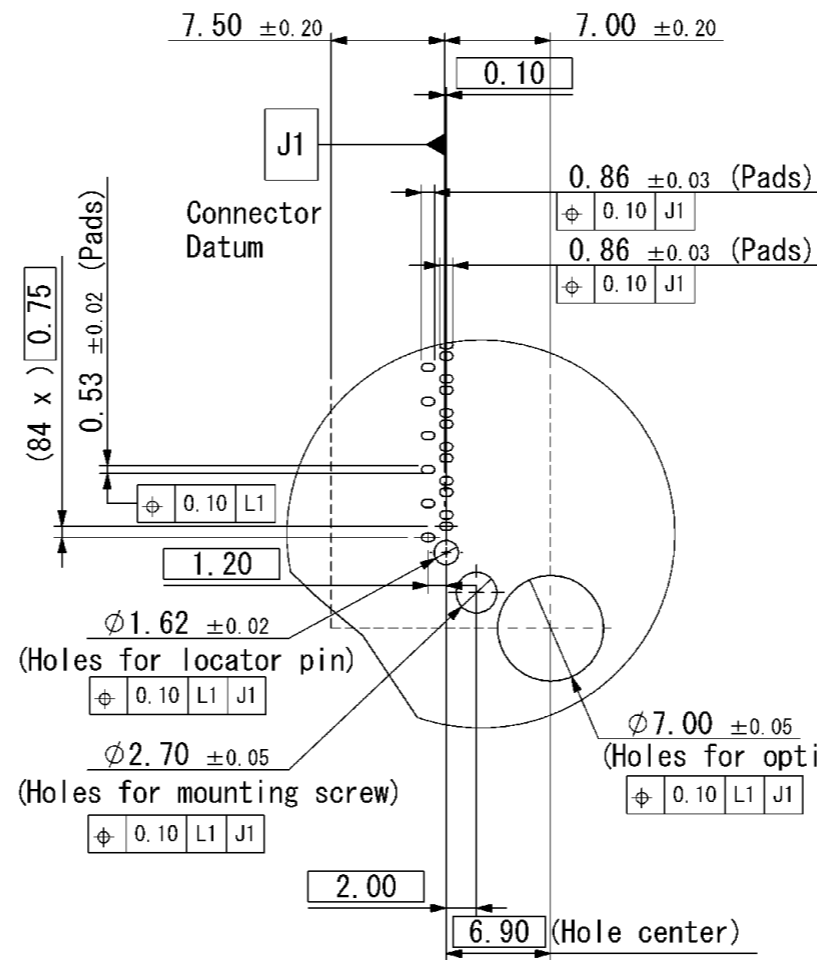
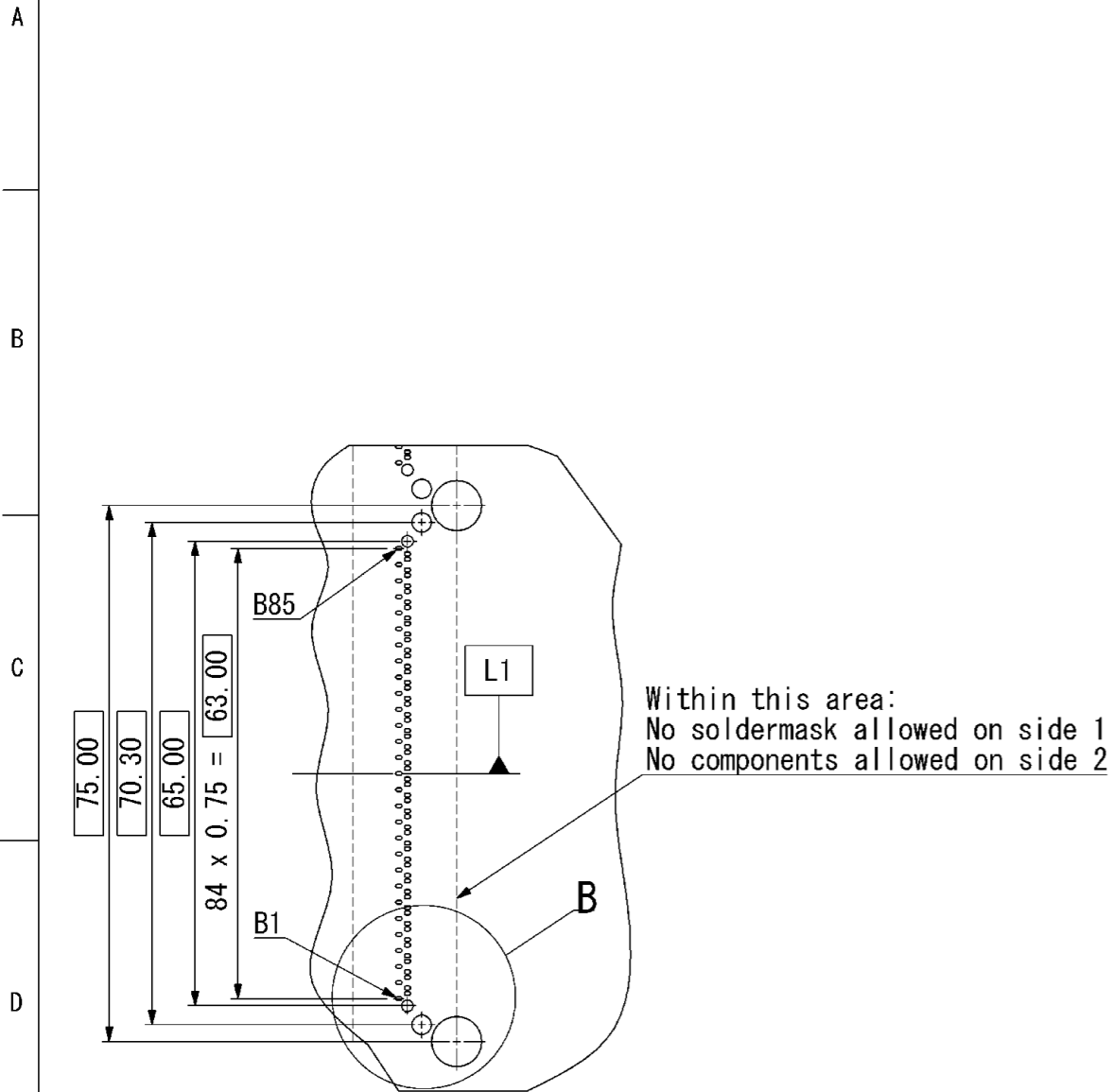
分類 (CLASS) AdvancedMC CONNECTOR Type B

名称 (TITLE) CN074-085-0003

図番 (DRW. NO.) A103526-001 Sheet No. 1/3 REV. H

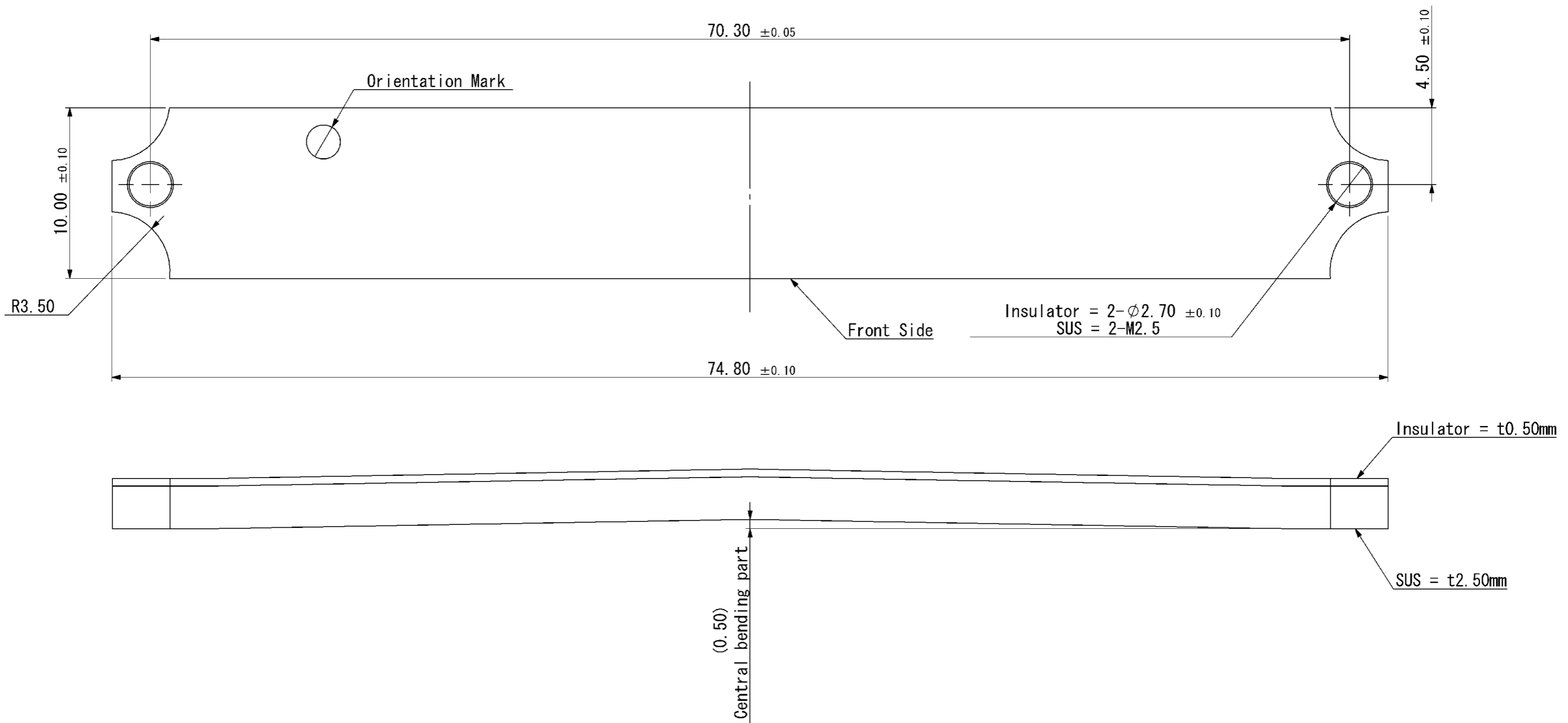
尺度 SCALE	承認 APP.	承認 APP.	検図 CHK.	製図 DRW.	設計 DSGN.
2 / 1					
単位 DIMENSION	mm	05/03/22	05/03/18	05/03/18	05/03/18
三角図法 3RD ANGLE PROJECTION		M. Ooya	S. Sato	M. Taniguchi	T. Ito

A3-A1-SW006



指定外公差 ±0.3 Tolerances ±0.3 unless otherwise specified. ()寸法は参考値 ()Reference value.					山一電機株式会社 YAMAICHI ELECTRONICS Co., Ltd.	
尺度 1 / 1 SCALE 1 / 1					承認 APP. 05/03/22 承認 APP. 05/03/18 検図 CHK. 05/03/18 製図 DRW. 05/03/18 設計 DSEN. 05/03/18	
単位 mm DIMENSION mm					分類 (CLASS) AdvancedMC CONNECTOR Type B 名称 (TITLE) CN074-085-0003	
三角図法 3RD ANGLE PROJECTION					図番 (DRW. NO.) A103526-001 Sheet No. 2/ REV. H	

Stiffener Dimensions (Bundled)



- Note:
- Plating specification on the PCB pads
Module PCB : Au 0.76 μm MIN. over Ni 2.54 μm MIN.
Carrier board : Au 0.10 μm MIN. over Ni 1.27 μm MIN.
 - Instruction for the connector being fixed by screw
Screw size (Bundled) : M2.5 , L25.0
Tightening torque : 30~40 cN·m
Maximum number of repeated tightenings : 3 times
 - Parts number for the stiffener
CN074A-0004 (A103639-001)
 - Parts number for the screw
CN074A-0006 (A104011-001)

指定外公差 ±0.3 Tolerances ±0.3 unless otherwise specified. ()寸法は参考値 ()Reference value.						山一電機株式会社 YAMAICHI ELECTRONICS Co.,Ltd.	分類 (CLASS) AdvancedMC CONNECTOR Type B	
尺度 (SCALE) 4 / 1	承認 (APP)	承認 (APP)	検図 (CHK)	製図 (DRW)	設計 (DSGN)		名称 (TITLE) CN074-085-0003	
単位 (DIMENSION) mm	05/03/22	05/03/18	05/03/18	05/03/18	05/03/18	図番 (DRW. No.) A103526-001		
三角図法 (3RD ANGLE PROJECTION)	M. Ooya	S. Sato	M. Taniguchi	T. Ito	Sheet No. 3 /	REV. H	A3-A2-SW006	

X-ON Electronics

Largest Supplier of Electrical and Electronic Components

Click to view similar products for [AMC / AMC B+ Connectors](#) category:

Click to view products by [Yamaichi](#) manufacturer:

Other Similar products are found below :

[CN084A-0002](#) [CN084A-05ME-1](#) [CN084A-10ME-1](#) [CN084A-02M0-1](#) [CN084A-08ME-4](#) [CN080-170-0011](#) [CN084-170-1000-1000-0](#) [75800-0001](#)