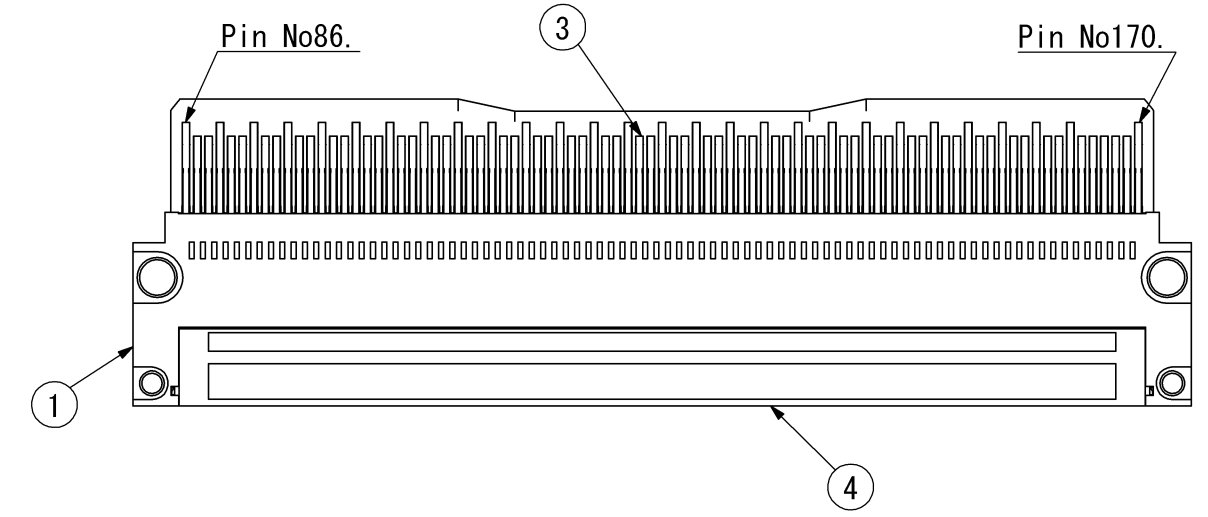
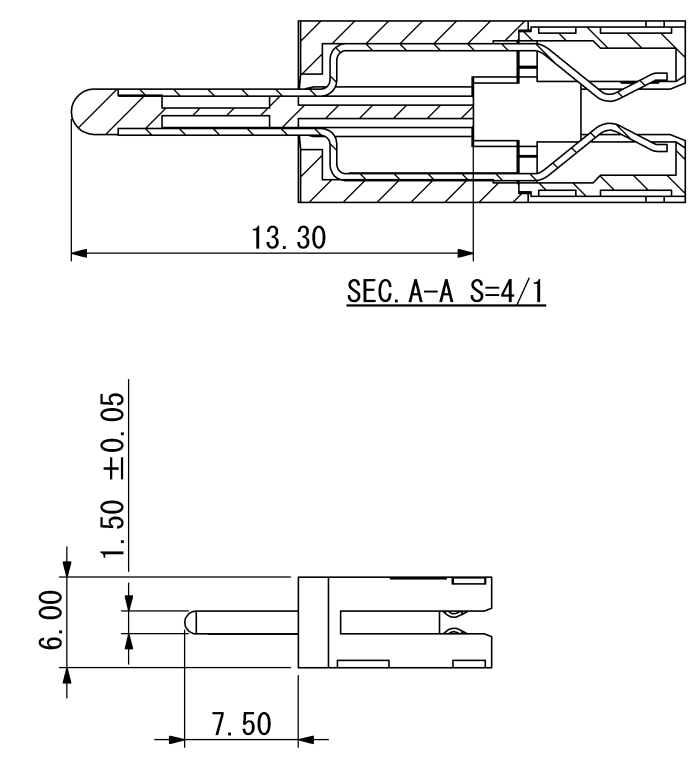
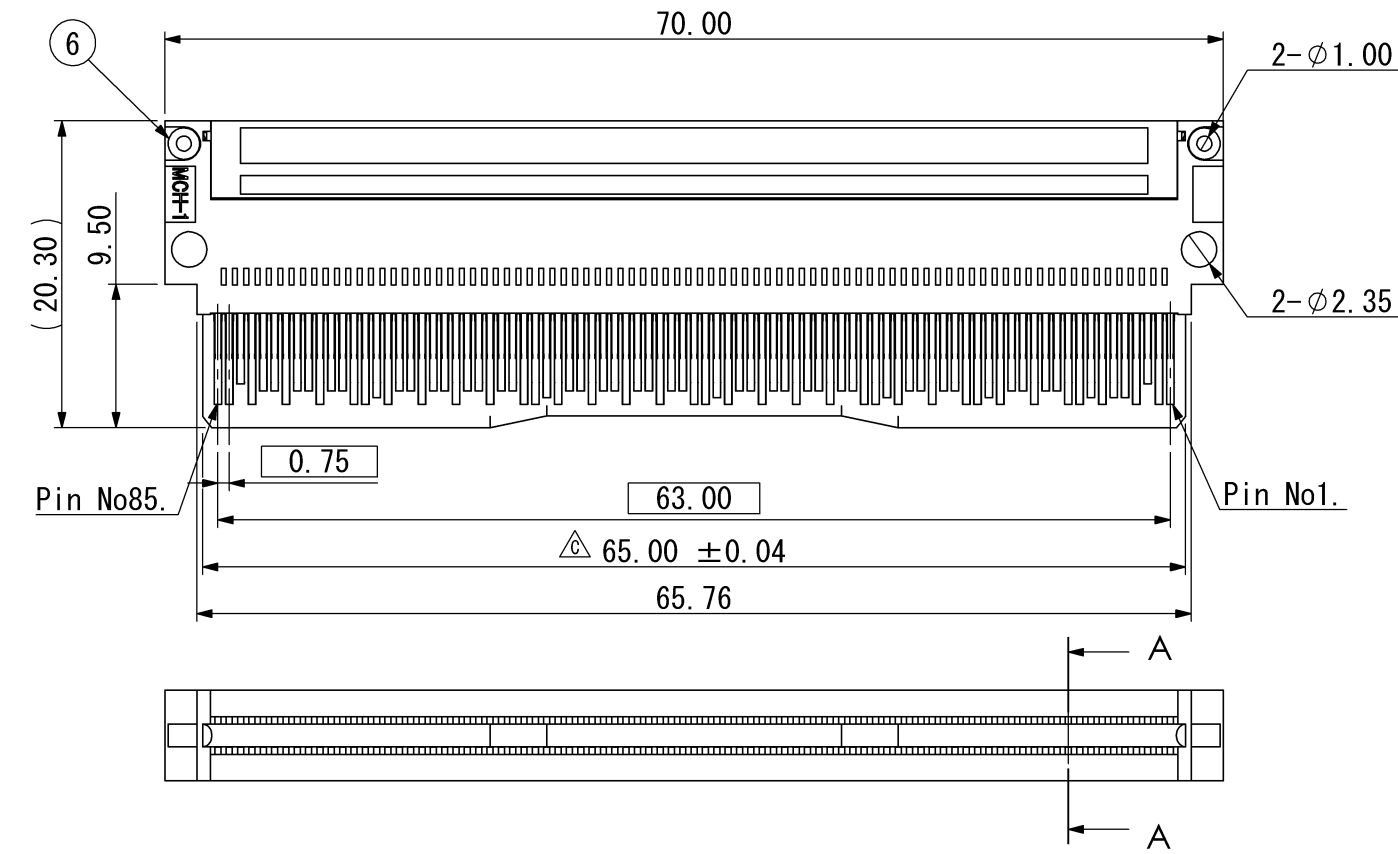


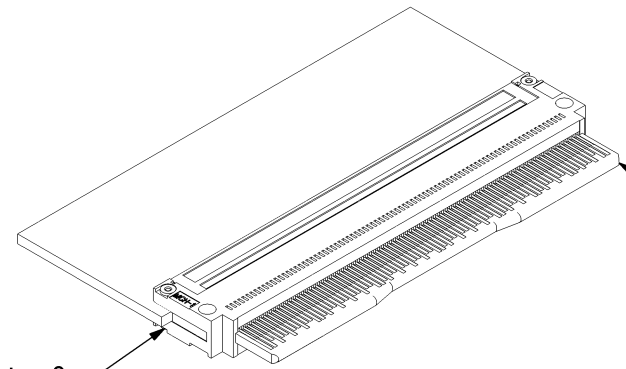
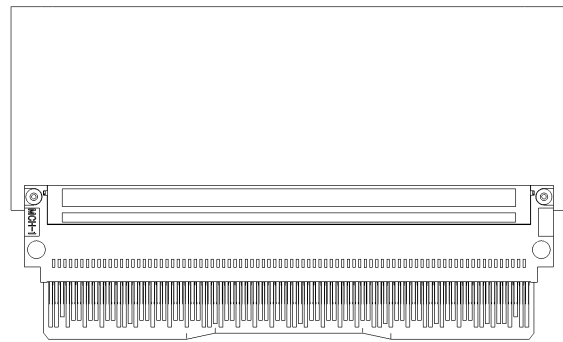
記号x数	変更内容 REVISION DESCRIPTION	承認	検図	担当	年月日	変更通知書No.
△B x 10	Change Shape, Add Dimension, Add Note	M. Igarashi	T. Kimoto	T. Murakami	07/03/02	M112426
△C x 2	Part change	T. Ito	S. Yoshida	M. Noguchi	12/10/18	M125393
△D x						
△E x						
△F x						

MCH-1



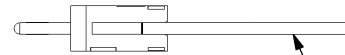
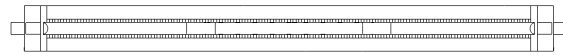
指定外公差 ±0.3 Tolerances ±0.3 unless otherwise specified. ()寸法は参考値 ()Reference value.						山一電機株式会社 YAMAICHI ELECTRONICS Co.,Ltd.	
分類 (CLASS) MCH Plug Connector						名称 (TITLE) CN084-170-1000-1000-0	
尺度 (SCALE) 2 / 1 単位 (DIMENSION) mm 三角図法 (3RD. ANGLE PROJECTION)	承認 (APP) 06/06/27 M. Ooya	承認 (APP) 06/06/27 M. Igarashi	検図 (CHK) 06/06/27 T. Kimoto	製図 (DRW) 06/06/27 T. Murakami	設計 (DSGN) 06/06/27 T. Ito	図番 (DRW. NO.) A105361-001	Sheet No. 1/2 REV. C

Assembly Condition



MCH-1
CN084A-170-1000-1000-1 Note. 2

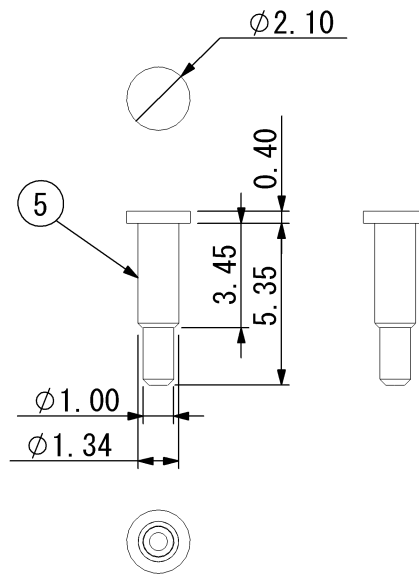
Shaft A-2
CN084A-08ME-2 Note. 3



MCH-1a PCB t=1.60
Note. 4

6	Plug Bush A (MCH-1)	2	SUS	---
5	Plug Shaft A-2	2	SUS	(Attached Note.3)
4	Locator (MCH-1)	2	LCP (UL94V-0)	Black
3	Contact (MCH-1 SIG)	112	BeCu t=0.23	Ni-Au
2	Contact (MCH-1 GND)	58	BeCu t=0.23	Ni-Au
1	Housing (MCH-1 Single Type)	1	LCP (UL94V-0)	Black
部品番号 ITEM	部品名 DESCRIPTION	個数 QNT.	材質・寸度 MATERIAL	記事 CONTENT

Plug Shaft A-2 : CN084A-08ME-2
Dimension (Bundled) S=4/1



Note

- Plating specification on the PCB pads
MCH PCB : Au 0.30 μm MIN. over Ni 1.27 μm MIN.
- Parts number for the MCH-1
CN084A-170-1000-1000-1 (A106147-001)
- Parts number for the Plug Shaft A-2
CN084A-08ME-2 (A105377-001)
- Refer to Single module PCB(CN084B-170-01PB, A106528-001)
and Double module PCB(CN084B-170-02PB, A106301-001)
for the recommended module board dimensions.
Also, please contact Yamaichi separately when the module
board dimensions are different from CN084B-170-01PB and
CN084B-170-02PB.

指定外公差 ±0.3 Tolerances ±0.3 unless otherwise specified. ()寸法は参考値 ()Reference value.						 山一電機株式会社 YAMAICHI ELECTRONICS Co.,Ltd.		
尺度 1 / 1 承認 APP. 06/06/27 承認 APP. 06/06/27 検図 CHK. 06/06/27 製図 DRW. 06/06/27 設計 DSGN. 06/06/27						分類 (CLASS) MCH Plug Connector 名称 (TITLE) CN084-170-1000-1000-0		
単位 DIMENSION mm 三角図法 3RD. ANGLE PROJECTION M. Ooya M. Igarashi T. Kimoto T. Murakami T. Ito						図番 (DRW. NO.) A105361-001 Sheet No. 2/		REV. C

X-ON Electronics

Largest Supplier of Electrical and Electronic Components

Click to view similar products for [AMC / AMC B+ Connectors](#) category:

Click to view products by [Yamaichi](#) manufacturer:

Other Similar products are found below :

[CN084A-0002](#) [CN084A-05ME-1](#) [CN084A-10ME-1](#) [CN084A-02M0-1](#) [CN084A-08ME-4](#) [CN080-170-0011](#) [CN084-170-1000-1000-0](#) [75800-0001](#)