

**PART NUMBER 28GBPS**

**CN1745-076-0001**



**SPECIFICATIONS**

Operating Temp. Range:	- 20° to 85° C
Durability:	100 cycles
Plug in Force:	50N max.
Pull-out Force:	50N
Test Standard:	EIA-364

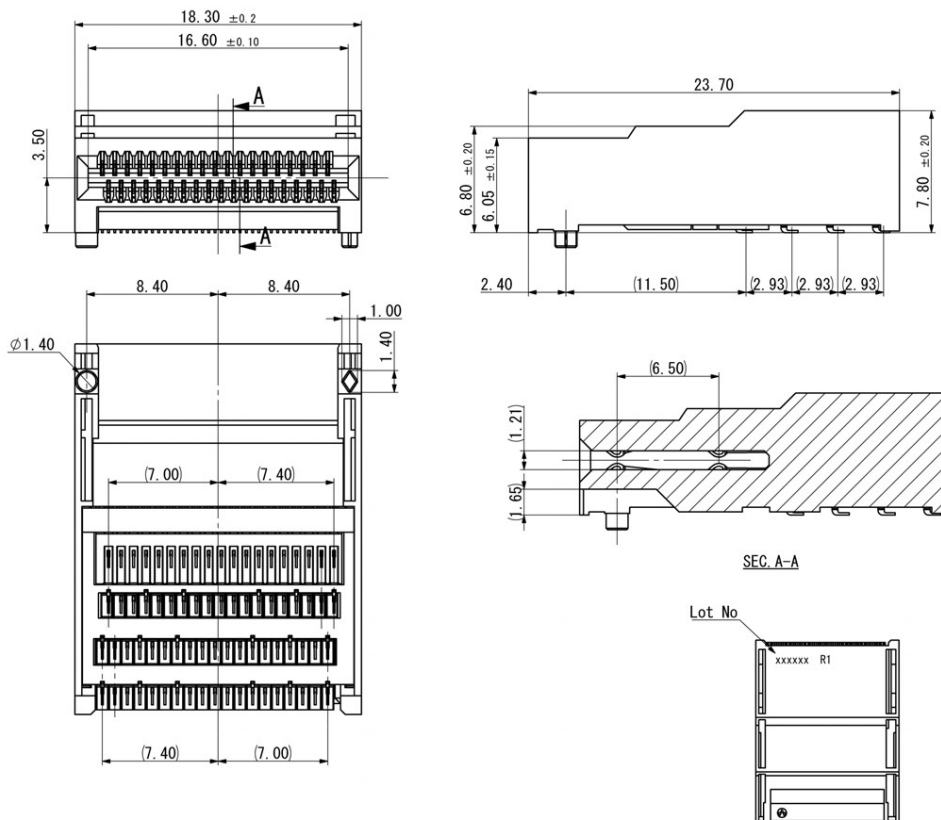
**MATERIALS AND FINISH**

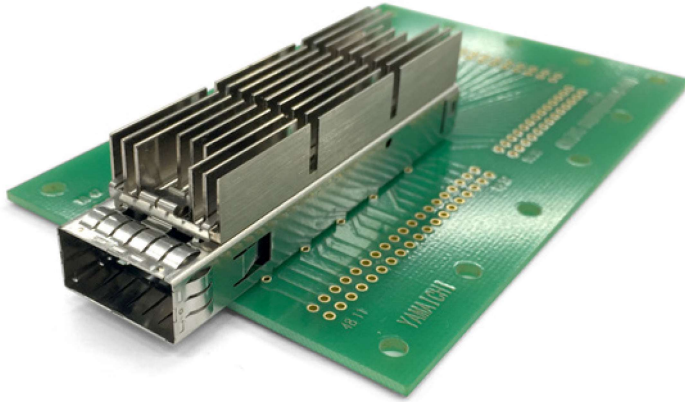
Contact:	Copper Alloy
Contact area:	Ni-Au
Soldering area:	Sn
Insulator:	LCP

**FEATURES**

- High speed up to 200Gbps (NRZ) 400Gbps (PAM4)
- Pitch: 0.8 mm
- Pin Count: 76 Pins
- Compatible with existing QSFP  
(Infiniband: QDR / FDR / EDR) module
- RoHS2011/65/EU
- REACH conform according to EU Regulation 1907/2006

**OUTLINE DIMENSIONS CN1745-076-0001**





**PART NUMBER CAGE**

CN174C-1001-01

**PART NUMBER CLIP**

CN174M-076-0002

**PART NUMBER HEATSINK**

CN174F-076-0002 (FRONT TO BACK)

**PART NUMBER HEATSINK**

CN174F-076-0004 (FIN TYPE)

**SPECIFICATIONS**

Operating Temp. Range: -20° to 85° C  
 Durability: 100 cycles  
 Press fit insertion force: 140N min.  
 Test Standard: EIA-364

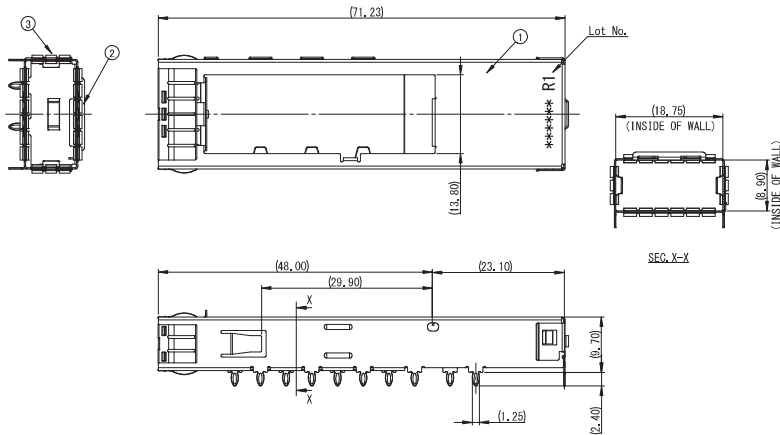
**FEATURES**

- Complies with QSFP-DD MSA
- Heatsink with 3 different heights (4.2, 6.5 and 13.5 mm)
- RoHS2011/65/EU
- REACH conform according to EU Regulation 1907/2006

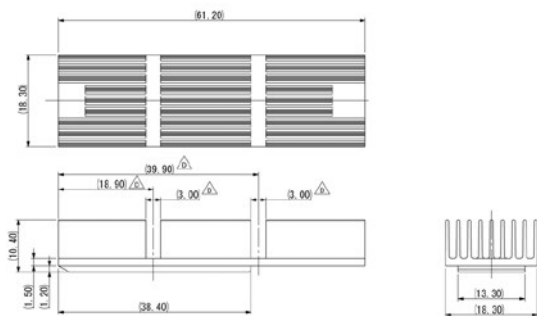
**MATERIALS AND FINISH**

Cage: Stainless, Degreasing  
 Heatsink: Aluminium, Anodizing Treatment  
 Clip: Stainless, Degreasing

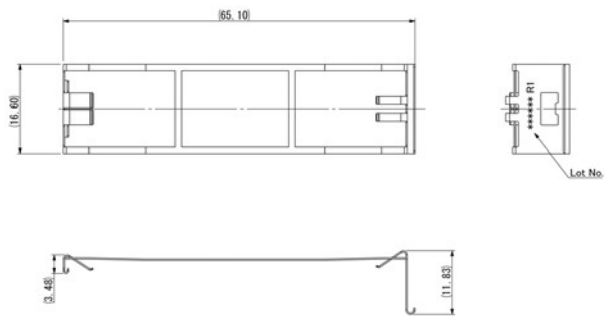
**OUTLINE DIMENSIONS CAGE**



**OUTLINE DIMENSIONS HEATSINK**



**OUTLINE DIMENSIONS CLIP**



## X-ON Electronics

Largest Supplier of Electrical and Electronic Components

*Click to view similar products for [I/O Connectors](#) category:*

*Click to view products by [Yamaichi](#) manufacturer:*

Other Similar products are found below :

[571763P](#) [D20419-211](#) [72.250.1628.2](#) [72.250.2428.2](#) [74720-0505](#) [76.350.0729.0](#) [76871-1403](#) [FCN-244F080-G/1](#) [FCN-260A9920](#) [MP-5T180MUNNA-005](#) [PCR-E36PM](#) [PCS-XE26MA+](#) [G38A71314B](#) [1571250010](#) [157-22500-3](#) [MS3471L14-19P L/C](#) [172501-4002](#) [172501-6002](#) [FCN-260C008-A/L0](#) [FCN-260C024-AL0](#) [FCN-261Z008](#) [2000314-1](#) [200331-1](#) [PCR-E36FC+](#) [PCS-E28FS+](#) [PCS-XE26SLFD+](#) [PCS-XE26SLFDT+](#) [G730VID08BDC24](#) [HDMR-29-01-S-SM-TR](#) [U90B2054081210](#) [UE86K842720321](#) [38113800006](#) [DP3AR020WQ1R200](#) [Z4.102.0680.0](#) [500-1040](#) [500-1052](#) [500-1054](#) [ZP-4008-66L](#) [0709821002](#) [5554841-1](#) [U90B3054061110](#) [U65-E04-4020](#) [ZPF00000000097891](#) [557-262M2-06C](#) [747360449](#) [10099439-003C-TRLF](#) [10137239-0021LF](#) [E9320-001-01](#) [10137239-0011LF](#) [70289-001LF](#)