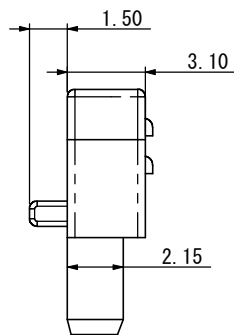
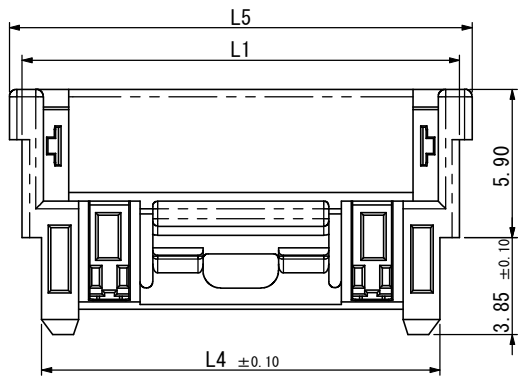
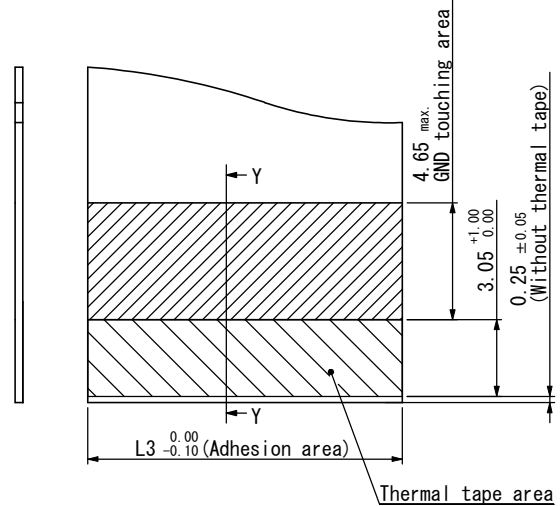
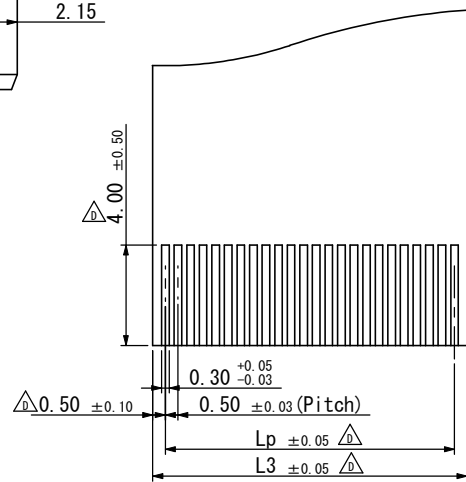
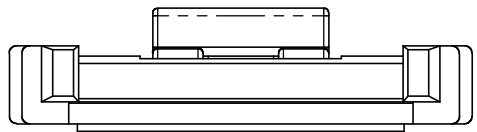


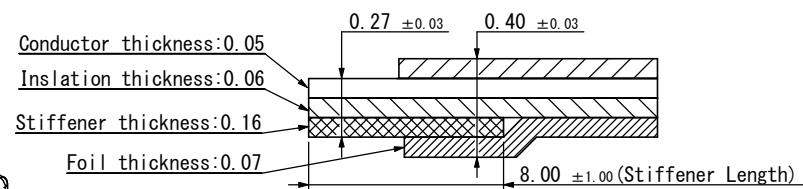
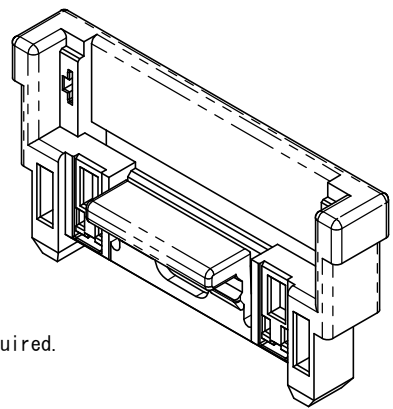
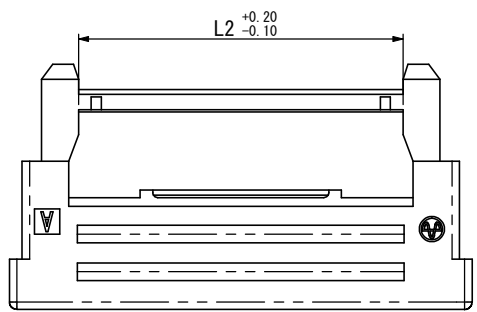
	REVISION DESCRIPTION	APP.	DRW.	DATE	CHANGE No.
△ x 9	Tolerance change	0.S	0.S	13/08/15	
△ x 2	Change thermal tape area	0.S	0.S	13/10/24	
△ x 9	Tolerance change	0.S	0.S	14/12/02	DC14-0070



50	24.5	30.4	25.9	△ 25.5	28.85	31.4	CNU018P-050-0001
32	15.5	21.4	16.9	△ 16.5	19.85	22.4	CNU018P-032-0001
24	11.5	17.4	12.9	△ 12.5	15.85	18.4	CNU018P-024-0001
Pin count	Lp	L1	L2	L3	L4	L5	P/N



PAD plating SPEC: Au 0.10 μmMIN.
(Over Ni 1.0 μmMIN.)



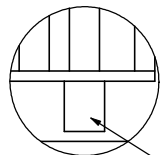
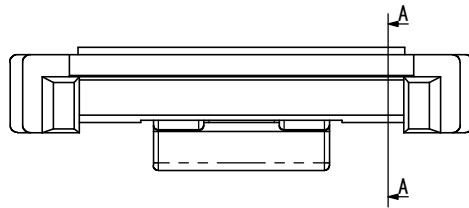
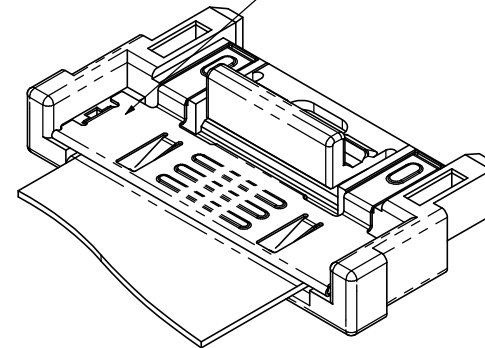
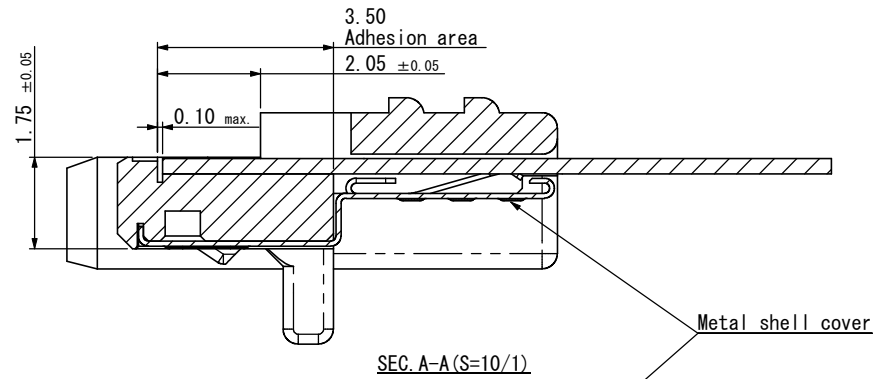
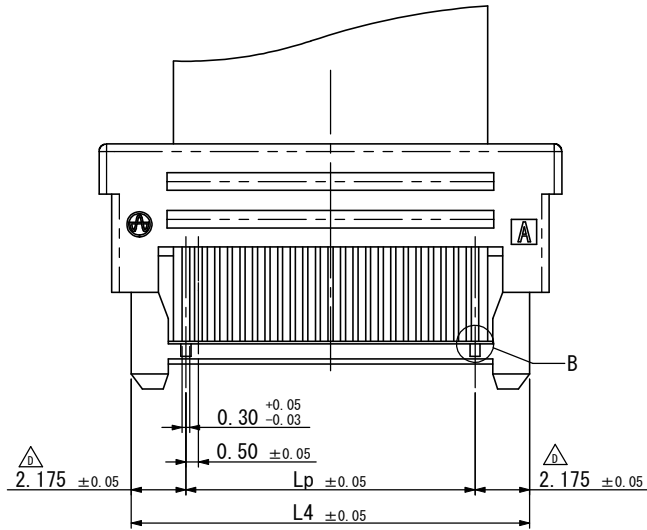
ITEM No.	DESCRIPTION	QNT.	MATERIAL	CONTENT
1	Insulator	1	Plastic	Black

Note.
1. This product is an adaptor. Assembly with FFC and metal shell cover is required. After that it becomes a final product.
2. Recommended adhesive
Adaptor must be glued to the FFC cable with Dexerial 3410 thermal tape.

Tolerance ±0.25 Unless otherwise specified.						YAMAICHI ELECTRONICS USA INC.	
						CLASS	
SCALE	5/1	APP.	APP.	CHK.	DRW.	DSGN.	TITLE
DIMENSION	mm	12/09/25	12/09/25	12/09/25	12/09/25	12/09/25	CNU018P-xxx-0001
ANGLE PROJ	3rd	K Abe	K Abe	O Shimizu	O Shimizu		DRW No. YEU-A2014
						Sheet No.	REV.
						1/2	D

Location dimension in which cable is installed(FEF.)

Option 1



DETAIL B(S=20/1)
Alignment mark for cable
(PAD must be located within mark)

Tolerance ±0.25 Unless otherwise specified.						 YAMAICHI ELECTRONICS USA INC. CLASS		
SCALE	5/1	APP.	APP.	CHK.	DRW.		DSGN.	TITLE
DIMENSION	mm						DRW. No.	YEU-A2014
ANGLE PROJ	3rd						Sheet No.	2/2
							REV.	D

X-ON Electronics

Largest Supplier of Electrical and Electronic Components

Click to view similar products for [FFC & FPC Connectors](#) category:

Click to view products by [Yamaichi](#) manufacturer:

Other Similar products are found below :

[FPH-1422G](#) [FPH-1602G](#) [K-FC20](#) [FH29B-80S-0.2SHW\(99\)](#) [FPH-2022G](#) [AYF332735](#) [52610-1075](#) [52610-1275](#) [52610-1934](#) [501864-3091-TR225](#) [086222026001800](#) [52610-0675](#) [62684-36210E9ALF](#) [52746-1671-TR250](#) [10051922-2810EHLF](#) [6-520415-9](#) [SFV6R-1STE9HLF](#) [XF3M-2915-1B-R100](#) [1658549-1](#) [AYF534065TA](#) [AYF351525](#) [086212040340800+](#) [67000-014LF](#) [67000-004LF](#) [006207341915000+](#) [DS1020-19RT1D](#) [67000-003LF](#) [67000-011LF](#) [67000-016LF](#) [HFW14R-2STE9LF](#) [SFV32R-2STBE9HLF](#) [SFW12R-5STE9LF](#) [SFW18R-1STAE9LF](#) [SFW4R-5STE9LF](#) [52807-0430](#) [046283021002868+](#) [THD1015-8CL-SN](#) [67000-006LF](#) [502250-8027](#) [104267-9617](#) [66987-011LF](#) [AYF362535](#) [F0501-T-50-20T-R](#) [F1003-ZV-12-25T-R](#) [HFW8S-2STAE1HLF](#) [67000-008LF](#) [67000-012LF](#) [ECC576069EU](#) [F1002-B-20-20T-R](#) [HFW15S-2STAE1HLF](#)