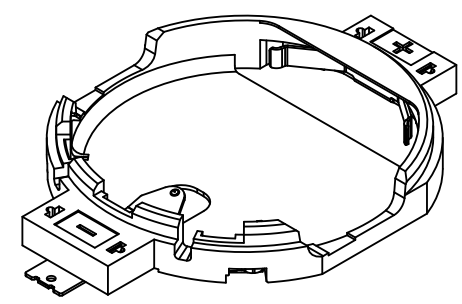
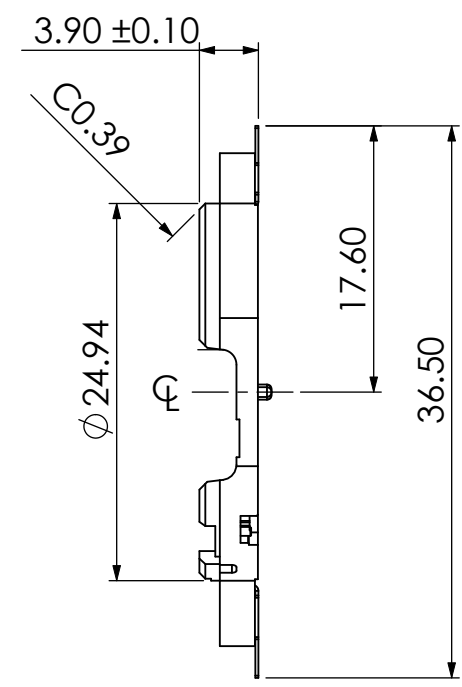
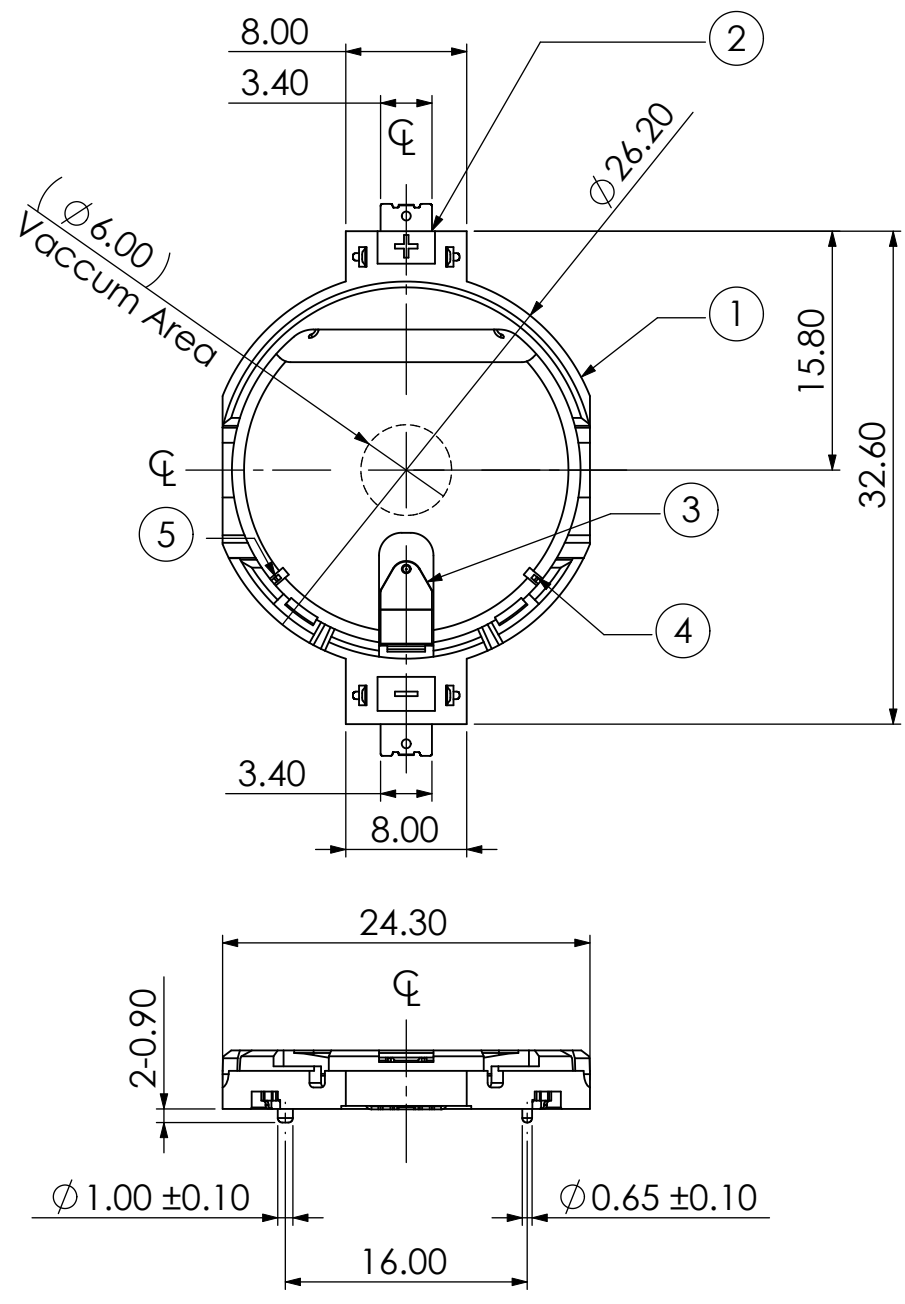
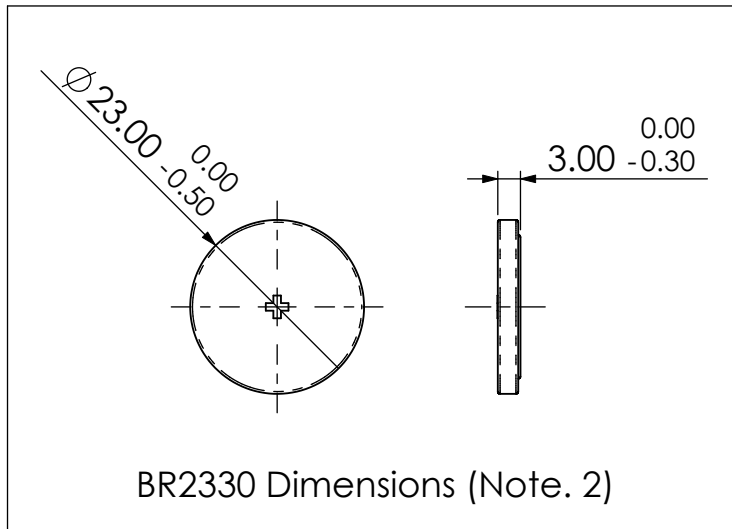
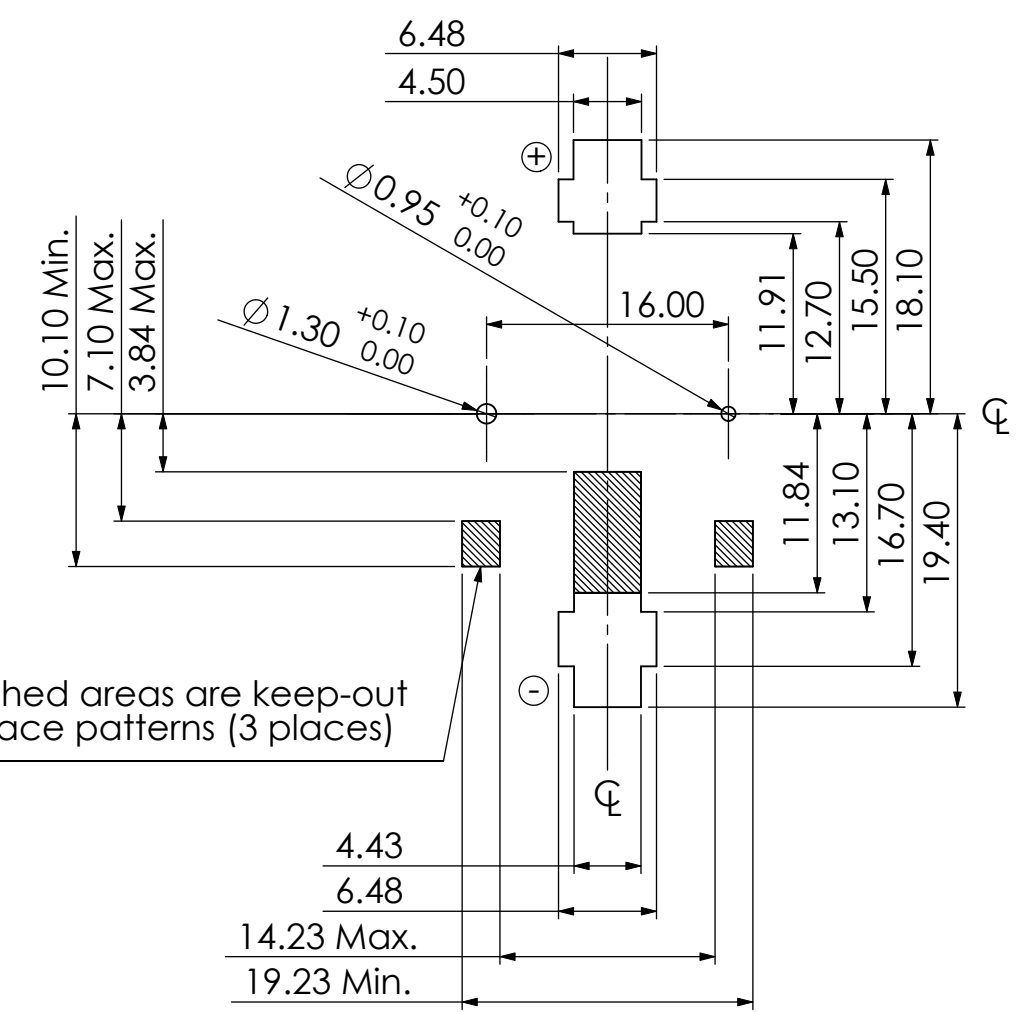


REVISION	DESCRIPTION	APP.	DRW.	DATE	CHANGE No.
△ X					
△ X					
△ X					



**Recommend PCB layout
(Tolance : ±0.05mm)**



- Note.
- Soldering lead coplanarity shall be 0.10mm maximum.
 - Actual check is required to confirm the comatibility with each battery's manufactured by different battery makers.

ITEM	DESCRIPTION	QNT.	MATERIAL	NOTE
5	Latch-L	1	SUS t=0.3	Ni plating
4	Latch-R	1	SUS t=0.3	Ni plating
3	Contact-2	1	PB t=0.2	Au plating
2	Contact-1	1	PB t=0.2	Au plating
1	Housing	1	LCP	Black

Tolerances ±0.15 unless otherwise specified. () Reference value						
SCALE 2:1					CLASS BR2330 battery holder	
DIMENSION mm					Part # CNU020S-1001	
ANGLE PROJ 3rd					DRW No. YEU-A2766	
APP.	APP.	CHK.	DRW.	DSGN.	Sheet No.	REV.
	O. Shimzu	O. Shimzu	K. Abe	K. Abe	/	A

X-ON Electronics

Largest Supplier of Electrical and Electronic Components

Click to view similar products for [Coin Cell Battery Holders](#) category:

Click to view products by [Yamaichi](#) manufacturer:

Other Similar products are found below :

[PDSN-11-D](#) [799-2007](#) [BH44AAB](#) [BH48DL](#) [BS-6-1](#) [103](#) [D3](#) [46400000](#) [BC-0403](#) [BH-121-1B](#) [BH-1/2AA-2A](#) [BH-131A](#) [BH-3101A](#) [BH-3103B](#) [BH-311-1A](#) [BH-311-1D](#) [BH-321-1A](#) [BH-321-1B](#) [BH-321-1D](#) [BH-331-3D](#) [BH-333A](#) [BH-341-1P](#) [BH-342-1A](#) [BH-351A](#) [BH-362B](#) [BH-383A](#) [BH-421A](#) [BH-422A](#) [BH-425A](#) [BH-431-1B](#) [BH-463A](#) [BH-511A](#) [BHC-18650-1P](#) [46300000](#) [46600000](#) [799-2001](#) [SBH-331A](#) [SBH-341-1A](#) [SBH-341-AS](#) [SBH-421-1A](#) [SBH-431-1AS](#) [SBH-441A](#) [SBH-9VA](#) [BH-121-1A](#) [BHC-18650-1A](#) [SBH-421-1AS](#) [SBH-441AS](#) [BH-321-2P](#) [BH-343-1A](#) [SBH-381-A](#)