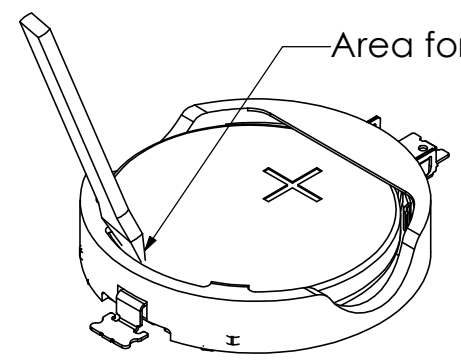
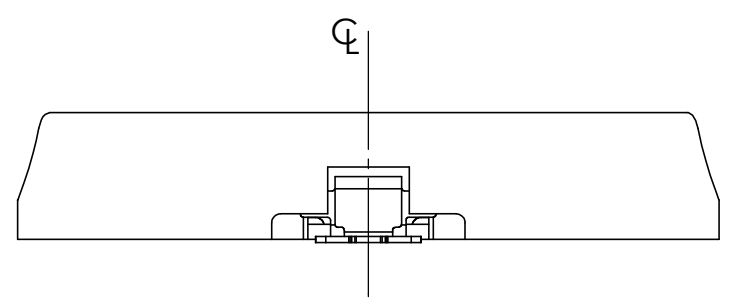
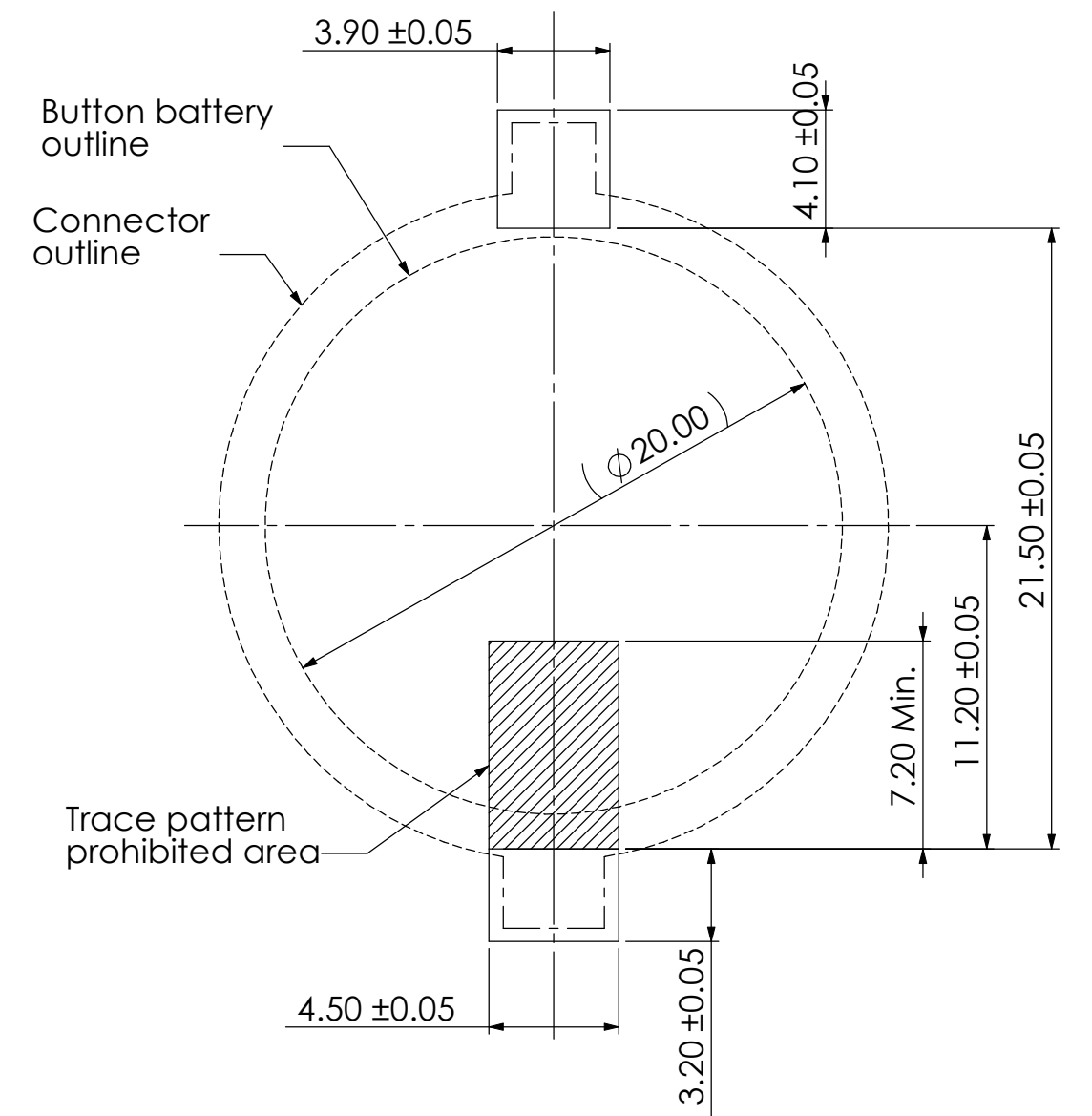
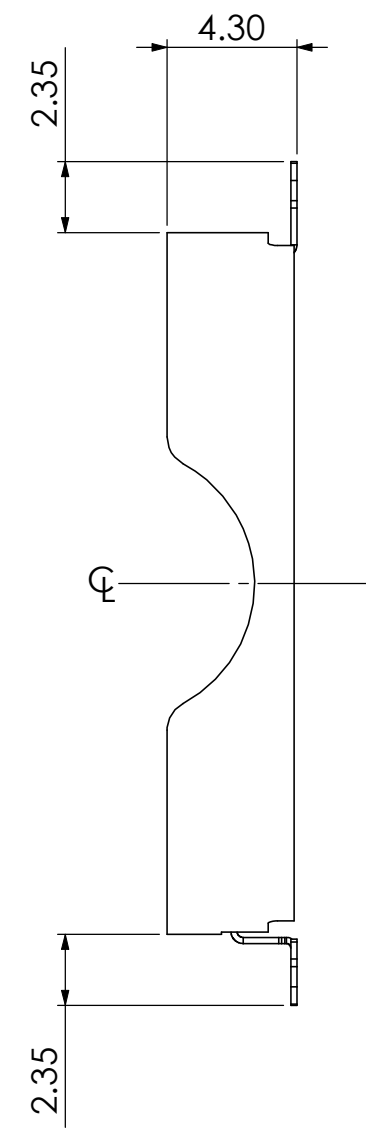
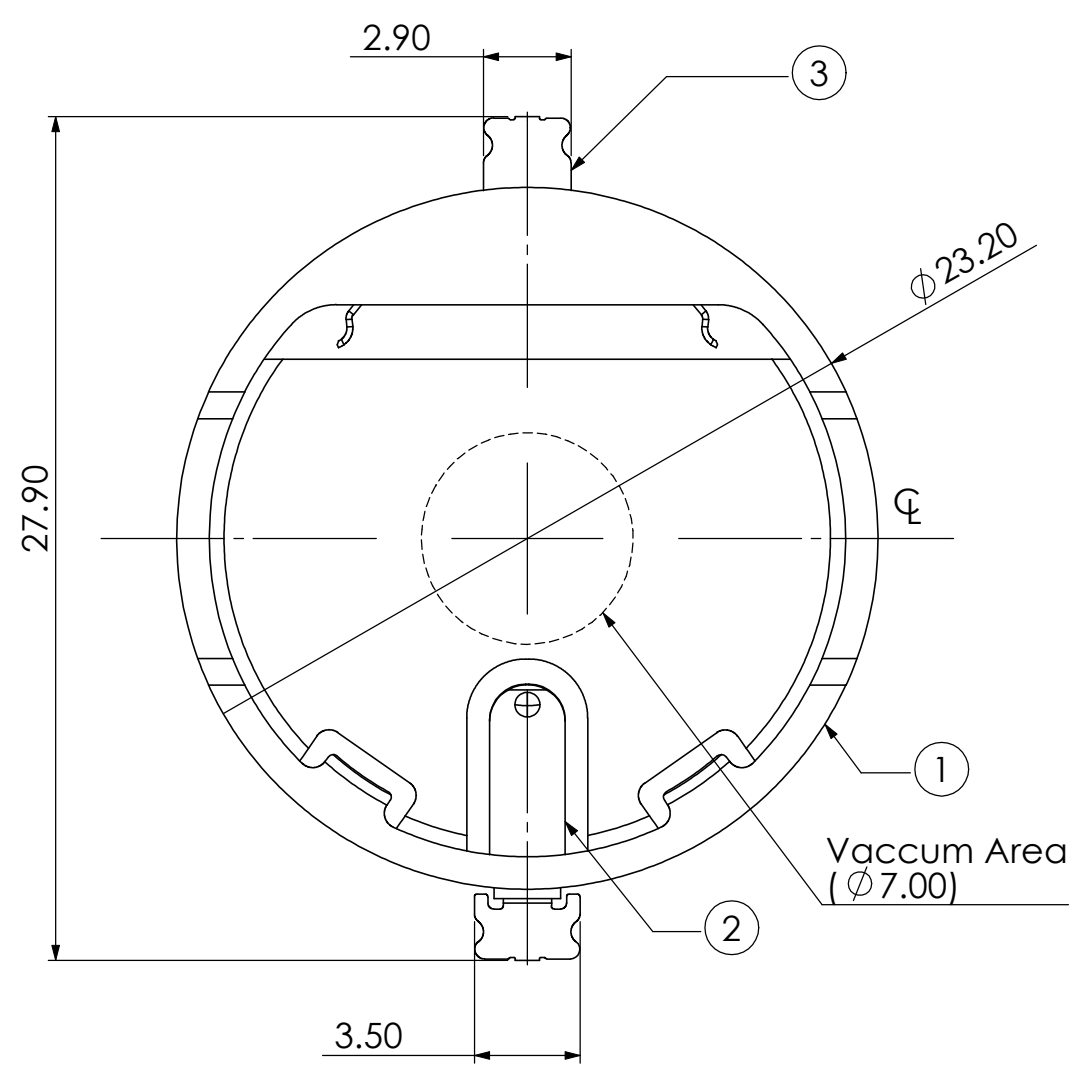


REVISION DESCRIPTION		APP.	DRW.	DATE	CHANGE No.
△ X	1 Coplanarity spec change	K.A	K.A	08/19/13	DC13-0058
△ X					
△ X					



State of battery insertion

- Note.
1. Soldering lead coplanarity shall be 0.12mm maximum.
 2. Actual check is required to confirm the compatibility with each battery's manufactured by different battery makers.
 3. Applicable battery : BR2032 (See Note 2)

ITEM	DESCRIPTION	QNT.	MATERIAL	NOTE
3	Contact-2	1	PB t=0.20	Ni-Au plating
2	Contact-1	1	PB t=0.20	Ni-Au plating
1	Housing	1	LCP	Black

Tolerances ±0.30 unless otherwise specified. () Reference value							
SCALE 4:1						CLASS BR2032 battery holder	
DIMENSION mm						Part # CNU024S-0001	
ANGLE PROJ 3rd						DRW No. YEU-A2136	
APP.	APP.	CHK.	DRW.	DSGN.	Sheet No.	REV.	
	'13/03/11	'13/03/11	'13/03/11	'13/03/11	/	B	
K. Abe	K. Abe	R. Yang	R. Yang				

X-ON Electronics

Largest Supplier of Electrical and Electronic Components

Click to view similar products for [Coin Cell Battery Holders](#) category:

Click to view products by [Yamaichi](#) manufacturer:

Other Similar products are found below :

[SMTU2450N-LF](#) [PDSN-11-D](#) [1058](#) [1052](#) [799-2007](#) [BH44AAB](#) [BH48DL](#) [BH8000](#) [BS-6-1](#) [79573231](#) [101](#) [3035](#) [1025](#) [1027](#) [103](#) [1060](#)
[1063](#) [1065](#) [D3](#) [46400000](#) [BC-0403](#) [BH-121-1B](#) [BH-1/2AA-2A](#) [BH-131A](#) [BH-3101A](#) [BH-3103B](#) [BH-311-1A](#) [BH-311-1D](#) [BH-321-1A](#)
[BH-321-1B](#) [BH-321-1D](#) [BH-331-3D](#) [BH-331P](#) [BH-333A](#) [BH-341-1P](#) [BH-351A](#) [BH-362B](#) [BH-421A](#) [BH-422A](#) [BH-425A](#) [BH-431-1B](#) [BH-](#)
[463A](#) [BH-511A](#) [BHC-18650-1P](#) [46300000](#) [799-2001](#) [BH-121-1A](#) [BHC-18650-1A](#) [2998](#) [3001](#)