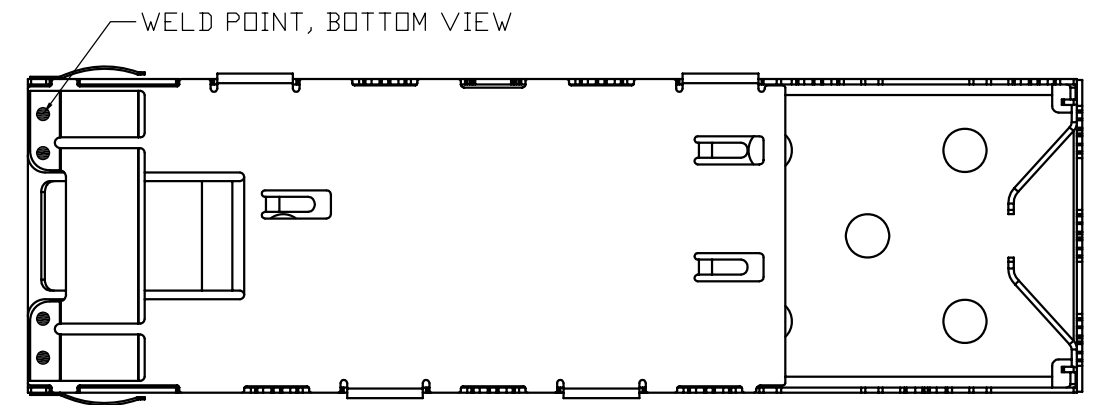
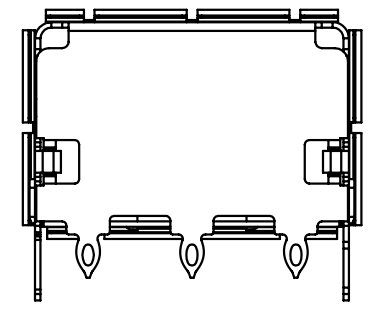
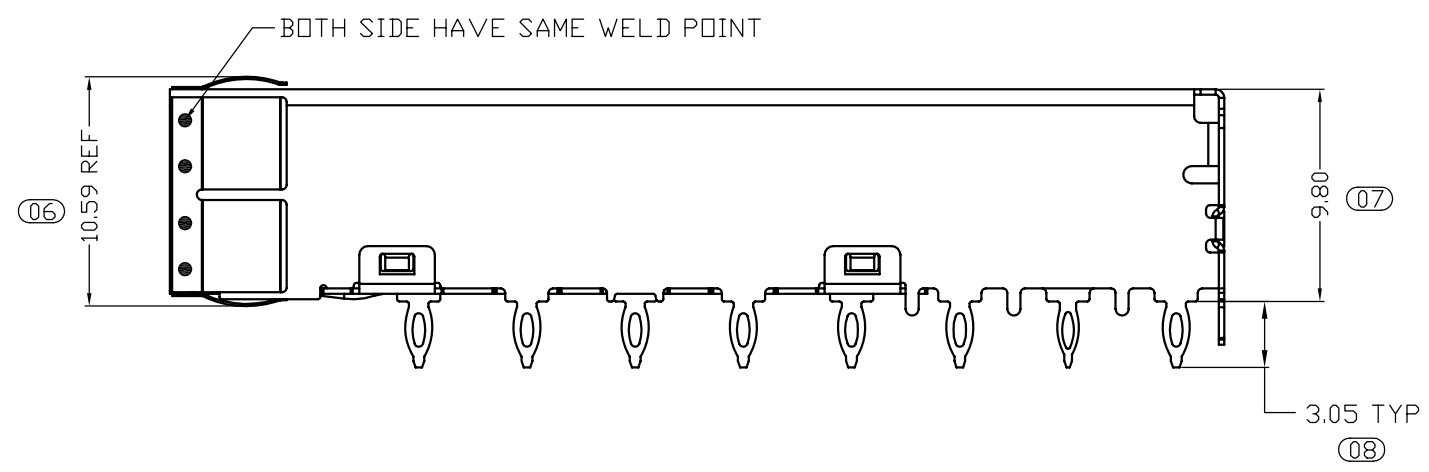
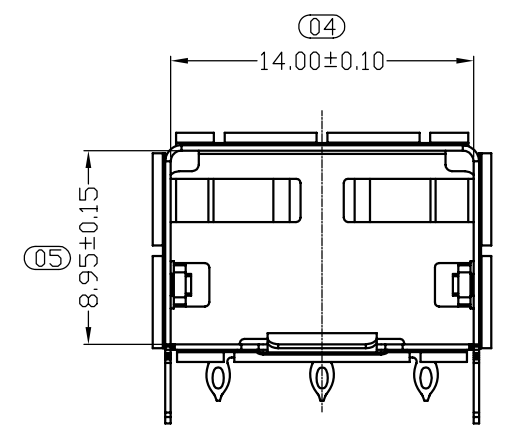
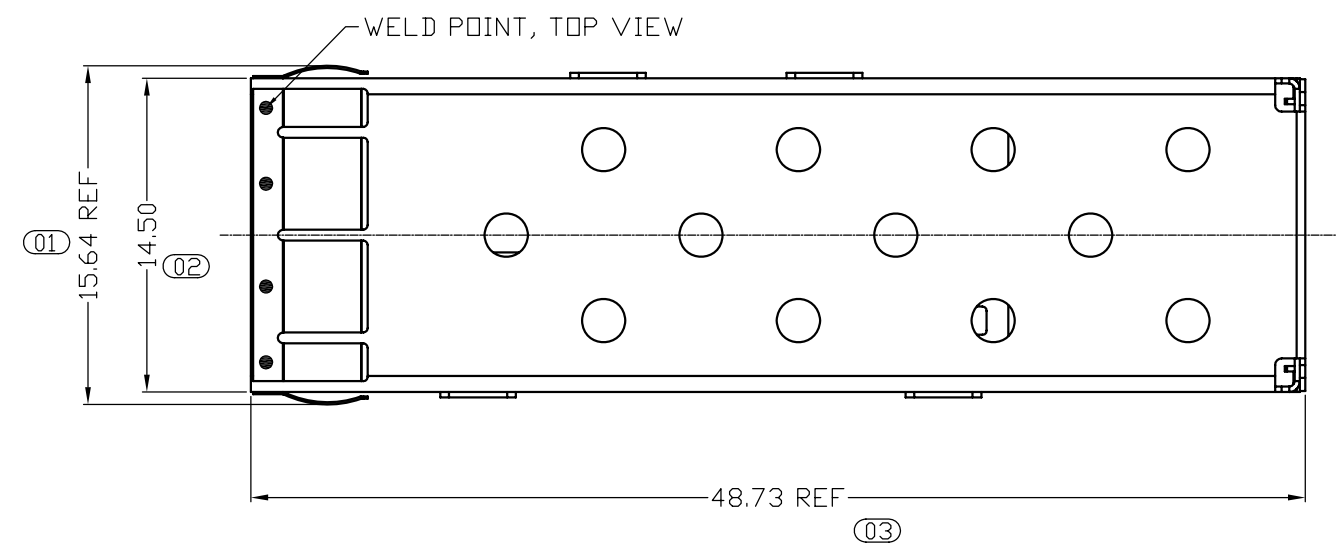
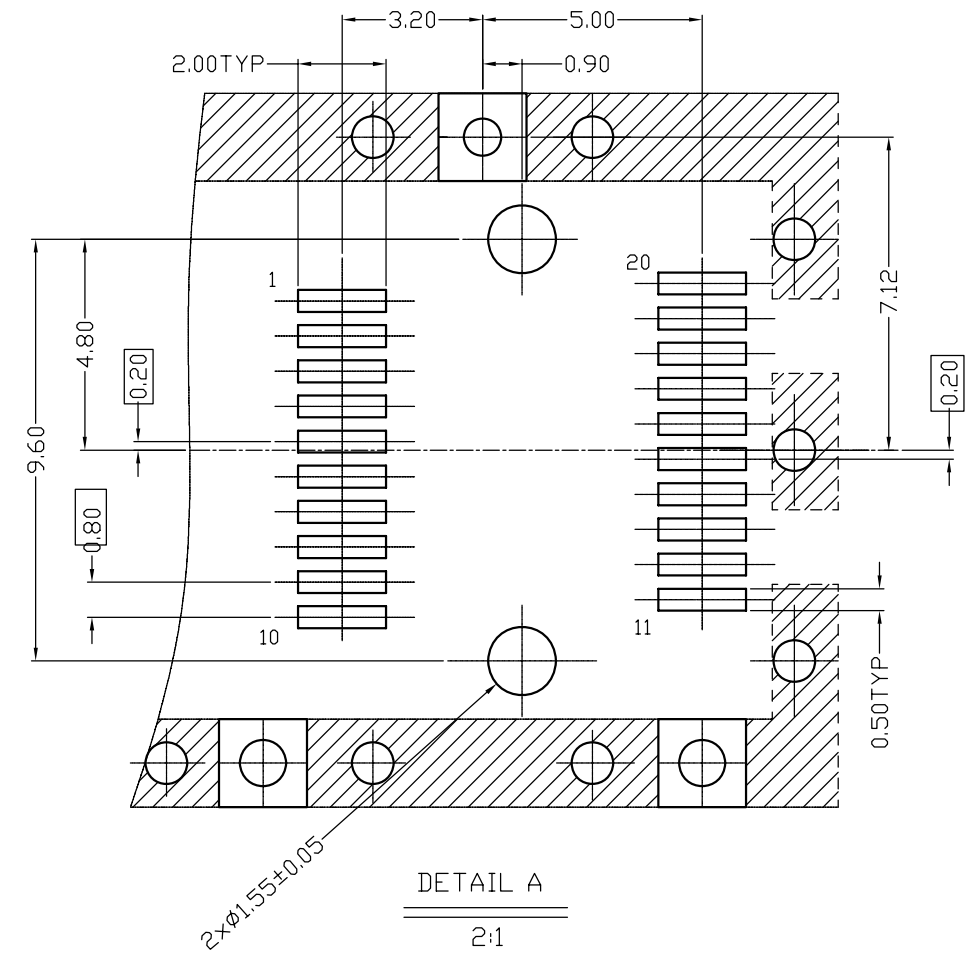
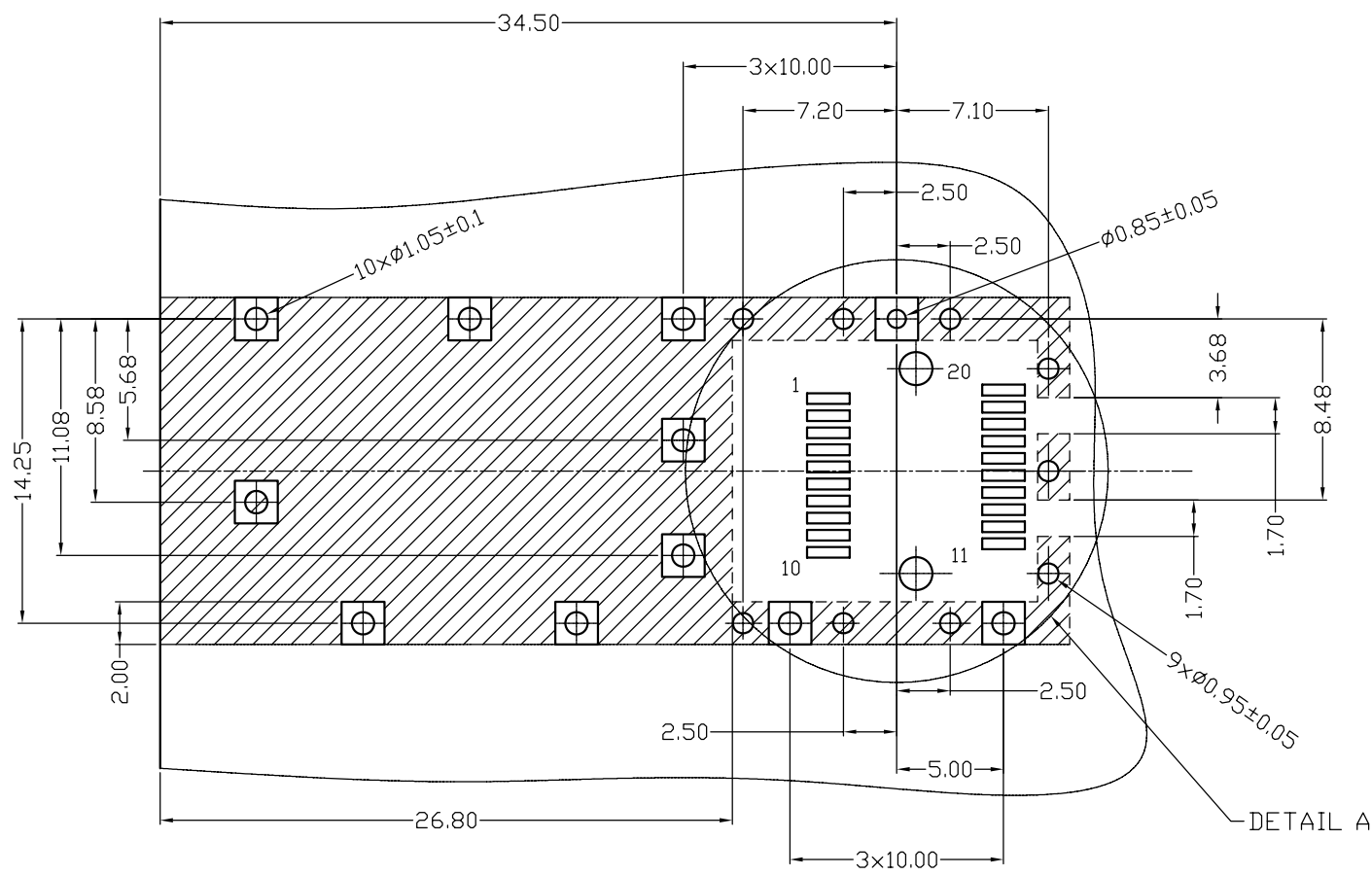
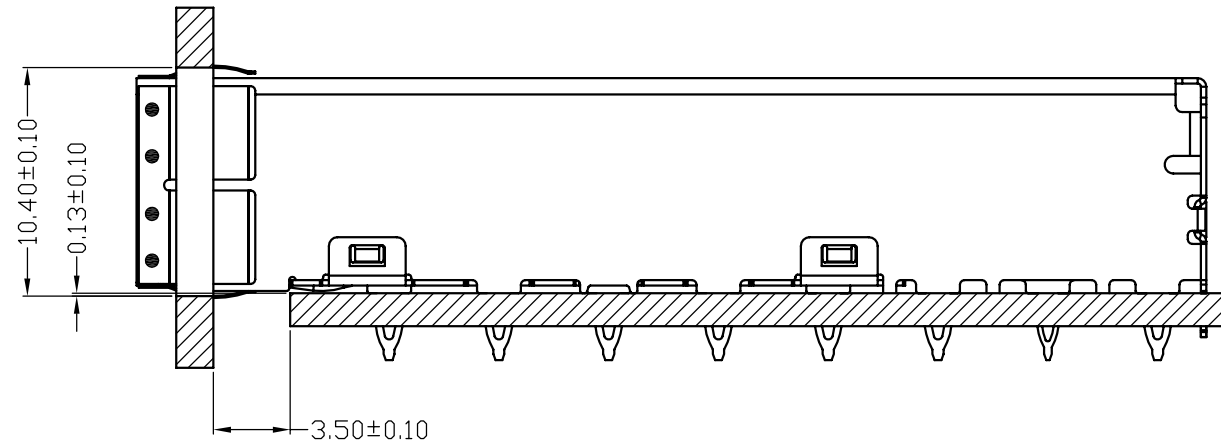
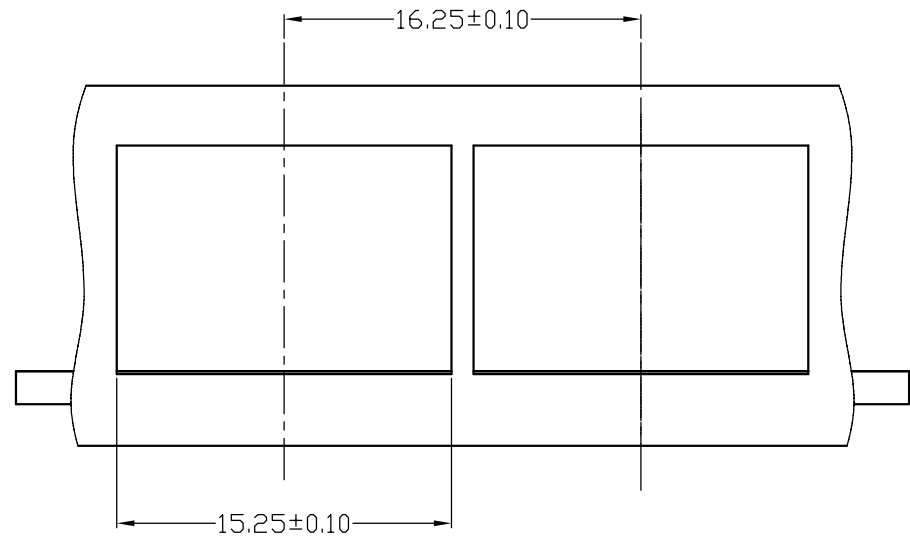


7		8			
REVISION DESCRIPTION		APP.	DRW.	DATE	CHANGE No.
△	X				
△	X				
△	X				



General Tolerances (Unless Specified)	
4 Place	±0.25
3 Place	±0.10
2 Place	±0.20
1 Place	±0.30
Angular	±1

SFP+ 1X1 CAGE, PRESS FIT, WITH EMI SPRINGS							YAMAICHI ELECTRONICS USA INC.	
SCALE 3/1							CLASS	
TITLE CNU109A-0002							DRW No. YEU-A1713	
DRW No. YEU-A1713							Sheet No. 1/3	REV. A



SFP PCB LAYOUT

DETAIL A
2:1

General Tolerances (Unless Specified)	
Dimension	Tolerance
4 Place	±0.25
3 Place	±0.10
2 Place	±0.20
1 Place	±0.30
Angular	±1°

SFP+ 1X1 CAGE, PRESS FIT, WITH EMI SPRINGS							YAMAICHI ELECTRONICS USA INC.	
CLASS							TITLE	
SCALE	3/1	APP.	APP.	CHK.	DRW.	DSGN.	CNU109A-0002	
DIMENSION	MM	08/15/2011	08/15/2011	08/15/2011	08/15/2011	08/15/2011	DRW No. YEU-A1713	
ANGLE PROJ	3rd	K. Abe	K. Abe	O. Shimizu	O. Shimizu		Sheet No. 2/3	REV. A
							A3-001	

1 2 3 4 5 6 7 8

A

NOTE:

- 1. MATERIAL:
CAGE ASSEMBLY: COPPER ALLOY.
EMI SPRINGS: COPPER ALLOY.
- 2. FINISH:
CAGE ASSEMBLY: NON-PLATED.
EMI SPRINGS: PLATING NICKEL.
- 3. MATES WITH SFP MSA COMPLIANT TRANSCEIVERS.
- 4. MINIMUM PC BOARD THICKNESS:
SINGLE SIDED = 1.50mm
- 5. THIS PART MEETS THE RESTRICTION OF HAZARDOUS SUBSTANCES IN ELECTRICAL AND ELECTRONIC EQUIPMENT (ROHS) DIRECTIVE (2002/95/EC).

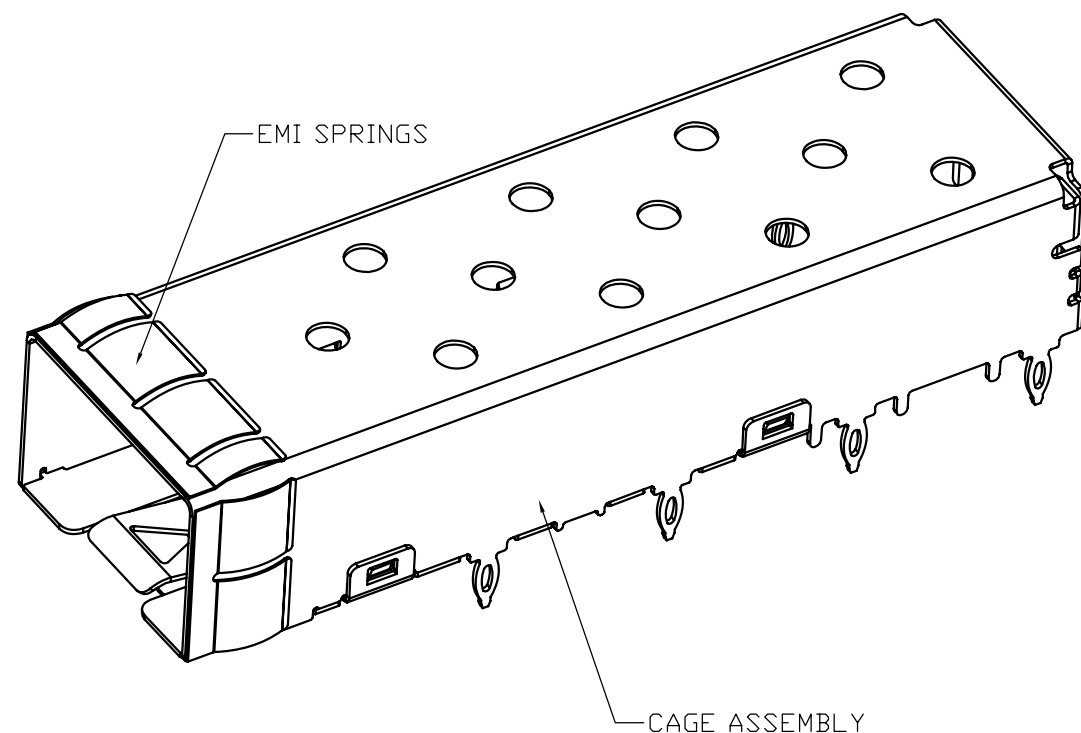
B

C

D

E

F



1 2 3 4 5 6 7 8

General Tolerances (Unless Specified)	
	mm
Flatness	±0.10
Surface	±0.10
Form	±0.20
Position	±0.30
Angular	±1°

SFP+ 1X1 CAGE, PRESS FIT, WITH EMI SPRINGS							
CLASS						TITLE	
SCALE	3/1	APP.	APP.	CHK.	DRW.	DSGN.	CNU109A-0002
DIMENSION	MM	08/15/2011	08/15/2011	08/15/2011	08/15/2011	08/15/2011	DRW No. YEU-A1713
ANGLE PROJ	3rd	K. Abe	K. Abe	D. Shimizu	D. Shimizu		Sheet No. 3/3
						REV. A	

A3-001

X-ON Electronics

Largest Supplier of Electrical and Electronic Components

Click to view similar products for [I/O Connectors](#) category:

Click to view products by [Yamaichi](#) manufacturer:

Other Similar products are found below :

[571763P](#) [58098-0628](#) [72.250.1628.2](#) [72.250.2428.2](#) [74720-0505](#) [76.350.0729.0](#) [76871-1403](#) [FCN-244F080-G/1](#) [FCN-260A9920](#) [PCR-E36PM](#) [PCS-XE26MA+](#) [G38A71314B](#) [DX40-50P\(55\)](#) [1571250010](#) [157-22500-3](#) [MS3471L14-19P L/C](#) [91-569786-35H](#) [172501-4002](#) [172501-6002](#) [FCN-260C008-A/L0](#) [FCN-260C024-AL0](#) [FCN-261Z008](#) [2000314-1](#) [200331-1](#) [PCR-E36FC+](#) [PCS-E28FS+](#) [PCS-XE26SLFD+](#) [PCS-XE26SLFDT+](#) [G730VID08BDC24](#) [U90B2054081210](#) [UE86K842720321](#) [38113800006](#) [DP3AR020WQ1R200](#) [Z4.102.0680.0](#) [500-1040](#) [500-1052](#) [500-1054](#) [ZP-4008-66L](#) [0709821002](#) [10-565995-597N](#) [DX40-20P\(55\)](#) [5554841-1](#) [MS3474W18-8P-LC*](#) [U90B3054061110](#) [U65-E04-4020](#) [ZPF000000000097891](#) [557-262M2-06C](#) [747360449](#) [10099439-003C-TRLF](#) [10137239-0021LF](#)