

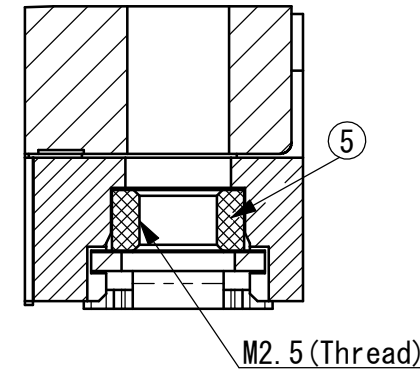
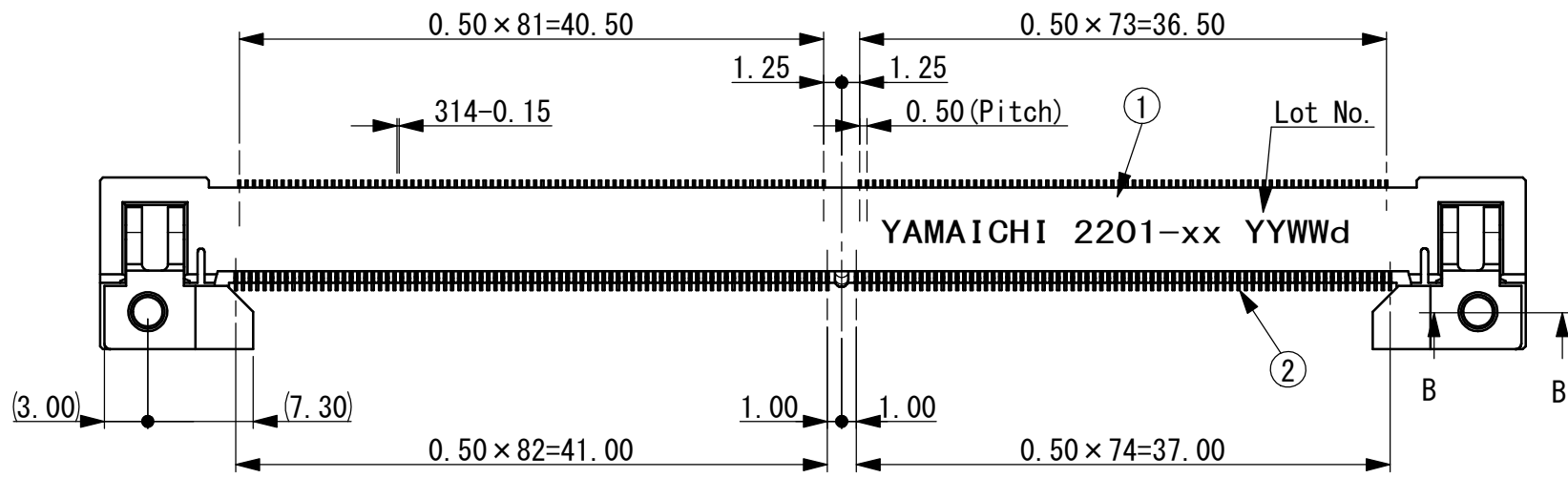
CONFIDENTIAL

PATENT No. US9787010 B1

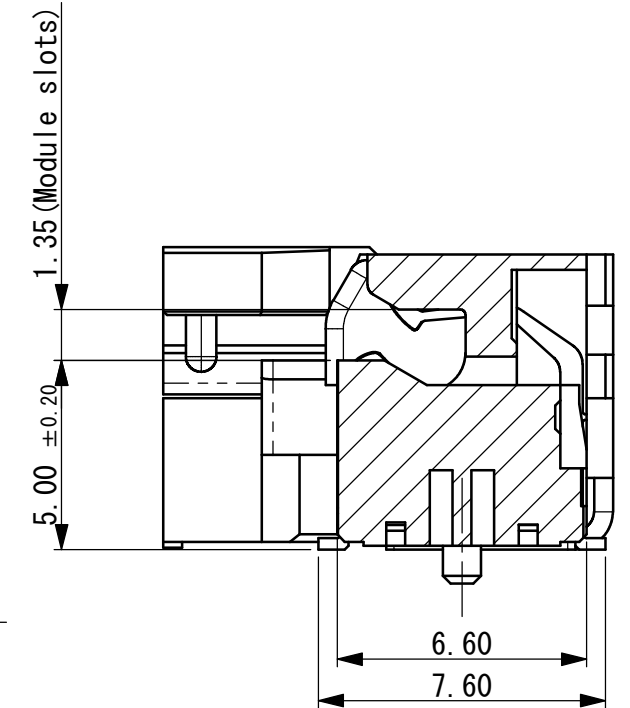
REV.	DESCRIPTION	APP.	DRW.	DATE	CHANGE No.
△C x 6	Added printing. Frame change.	T. N	H. T	'17/04/19	DC17-0042
△D x 2	Correction of mistake	T. N	H. T	'18/01/23	DC18-0006
△E x 1	Added PCB design information	T. N	H. T	'18/06/06	DC18-0037

Definition for printing

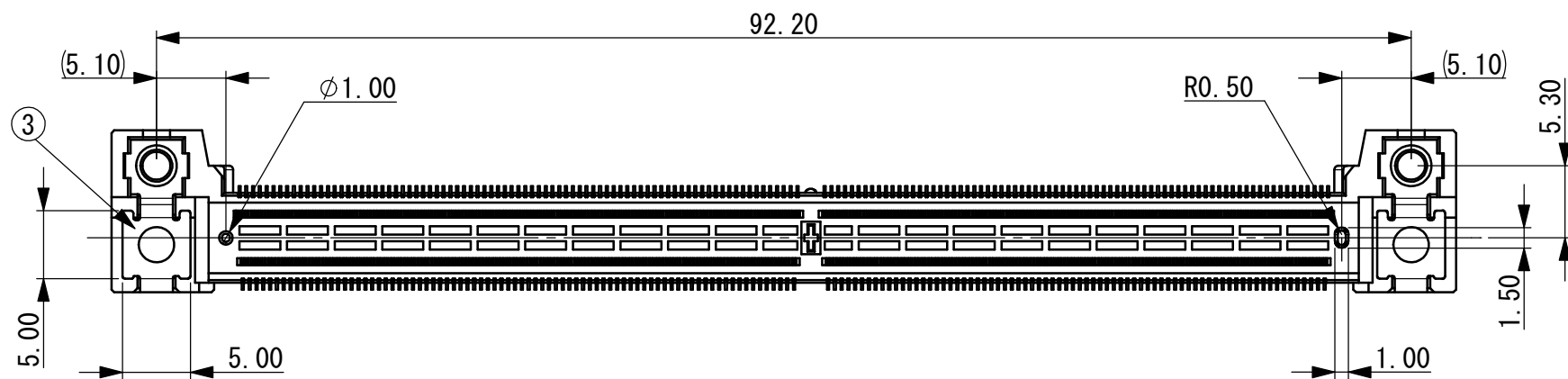
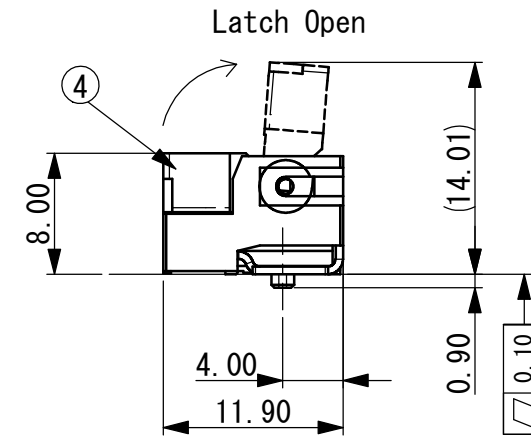
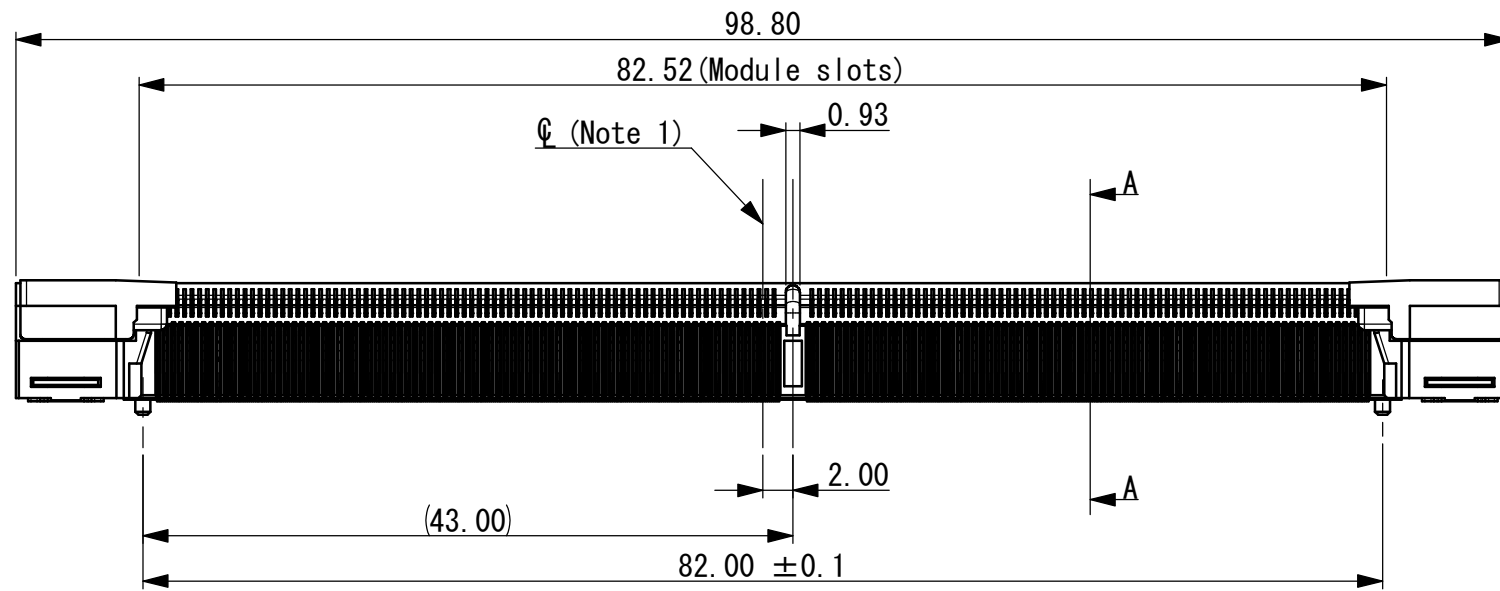
YAMAICHI: Company name  
 2201 : Product variety  
 xx : Manufacturing line no.  
 YY : Year last 2 digit of the year  
 WW : Week no.  
 d : Weekday (1-7: Sun-Sat)



SECTION B-B (S=5/1)



SECTION A-A (S=5/1)



Component

ITEM	DESCRIPTION	QNT.	MATERIAL	CONTENT
5	Nut	2	Brass	Ni
4	Latch	2	Heat resistant plastic	White
3	SMT tab	2	Brass	Ni-Sn
2	Contact	314	Copper alloy	Ni-Au
1	Insulator	1	Heat resistant plastic	Black

Note

1.  $\phi$  indicates the centerline of module slots (82.52mm) and outline width (98.80mm).
2. Recommended Screws: M2.5 (threaded) L = 7.5 ± 0.30mm

Tolerances ±0.30 unless otherwise specified.  
 ( ) Reference value

SCALE 2/1

DIMENSION mm

ANGLE PROJ 3rd

APP. T. Nishimura

APP. O. Shimizu

CHK. H. Takahira

DRW. H. Takahira

DSGN. H. Takahira

CLASS

Part No. CNU113-314-2201-VE

DRW No. YEU-A3049

Sheet No. 1 / 4

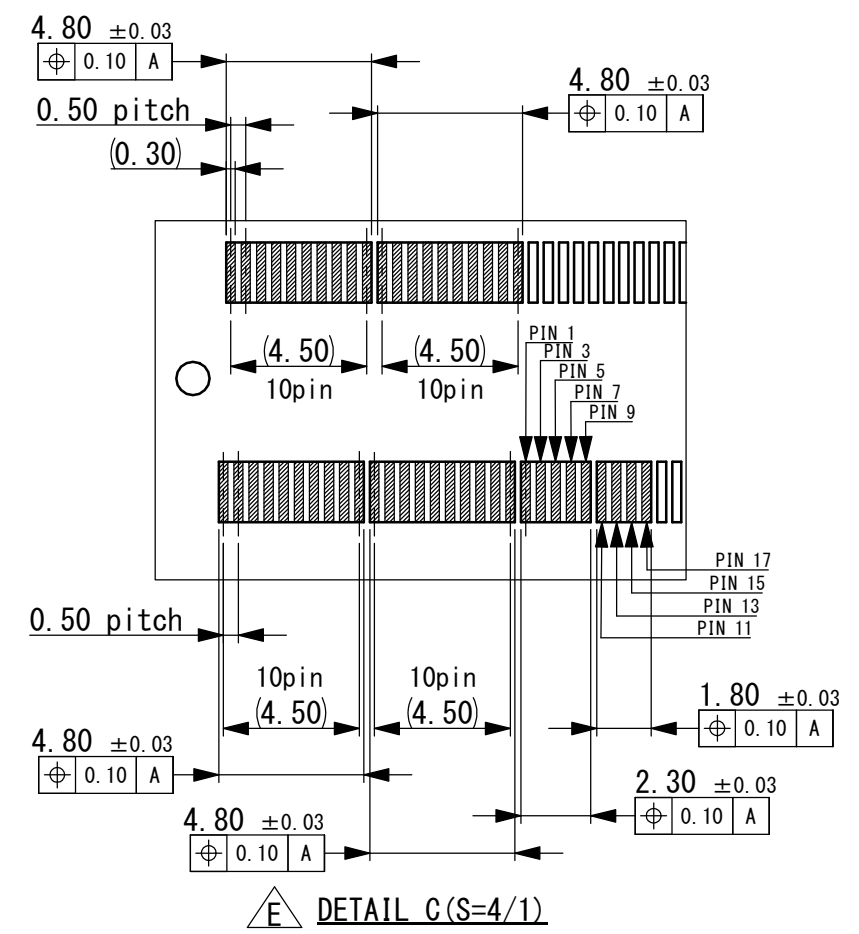
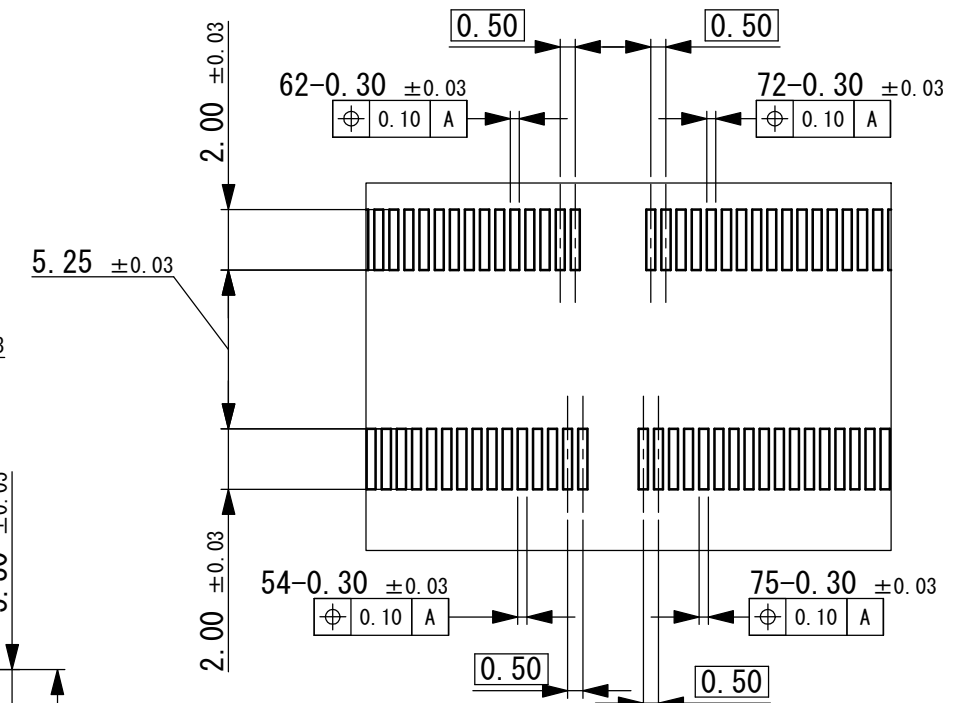
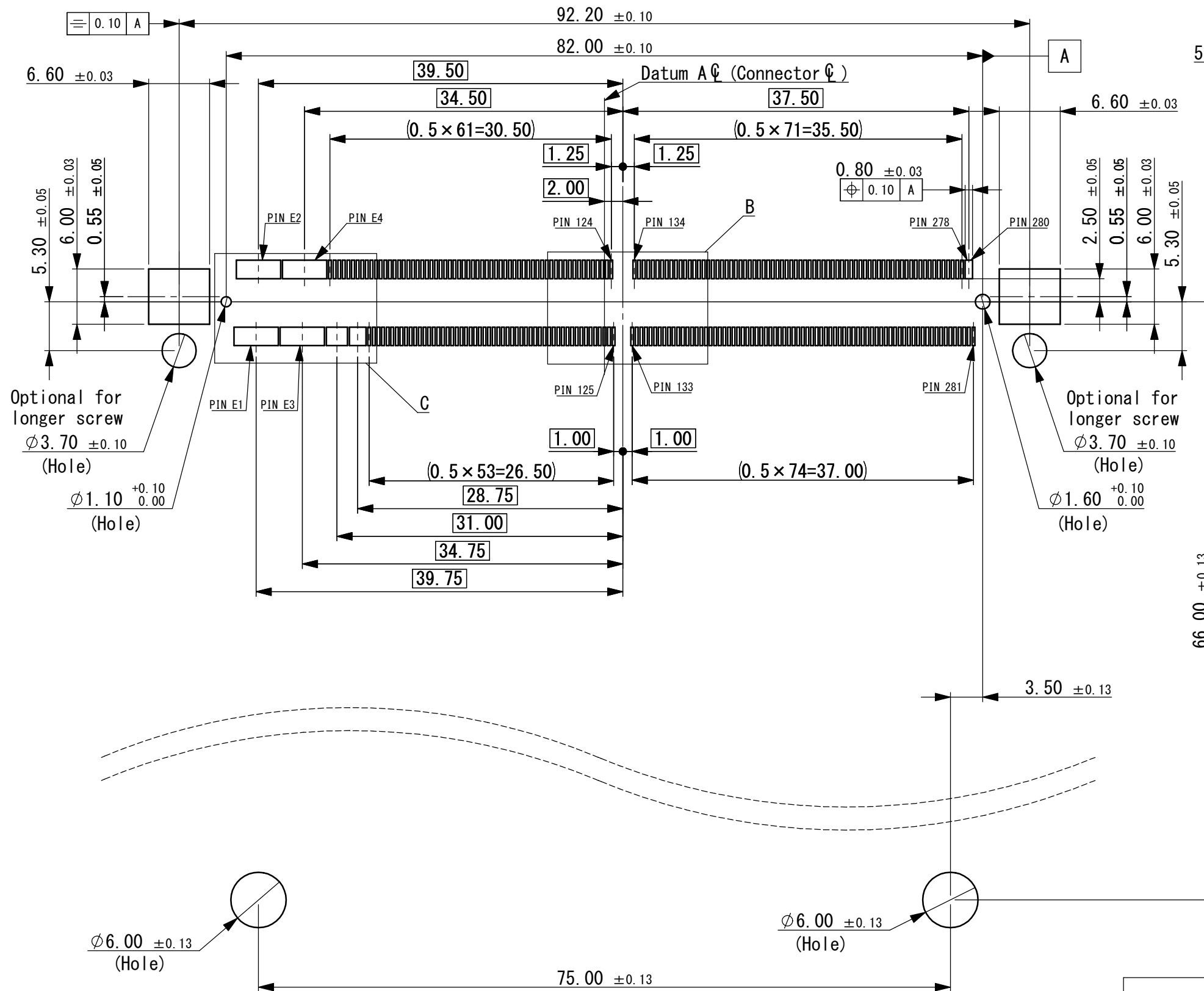
REV. E

YAMAICHI ELECTRONICS USA INC.

A3-001

CONFIDENTIAL

RECOMMENDED FOOTPRINT LAYOUT



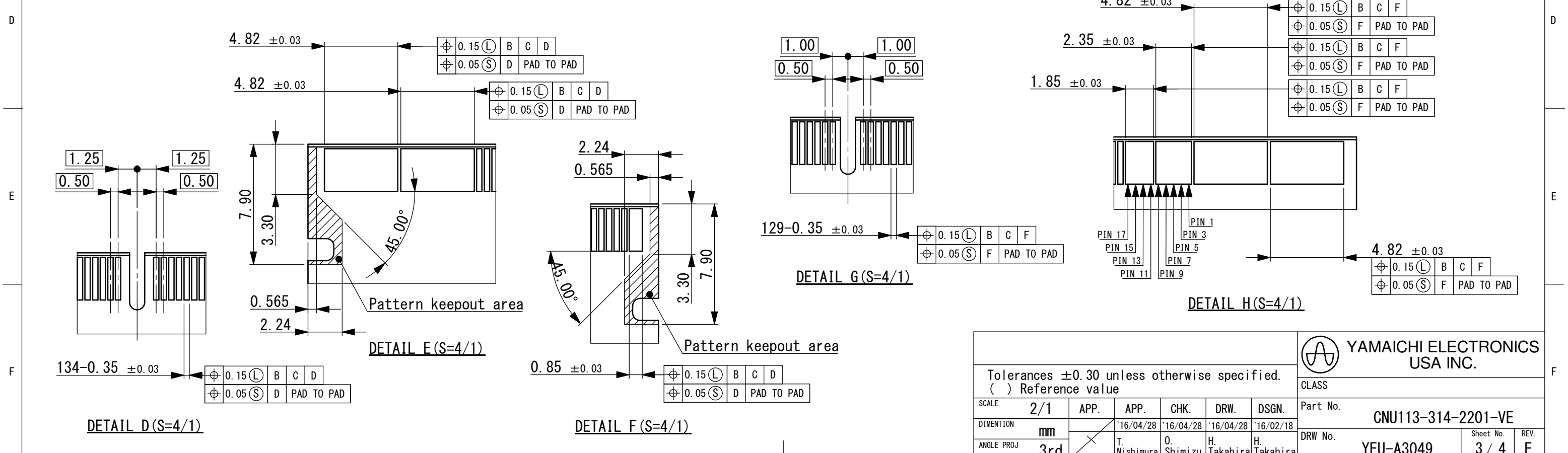
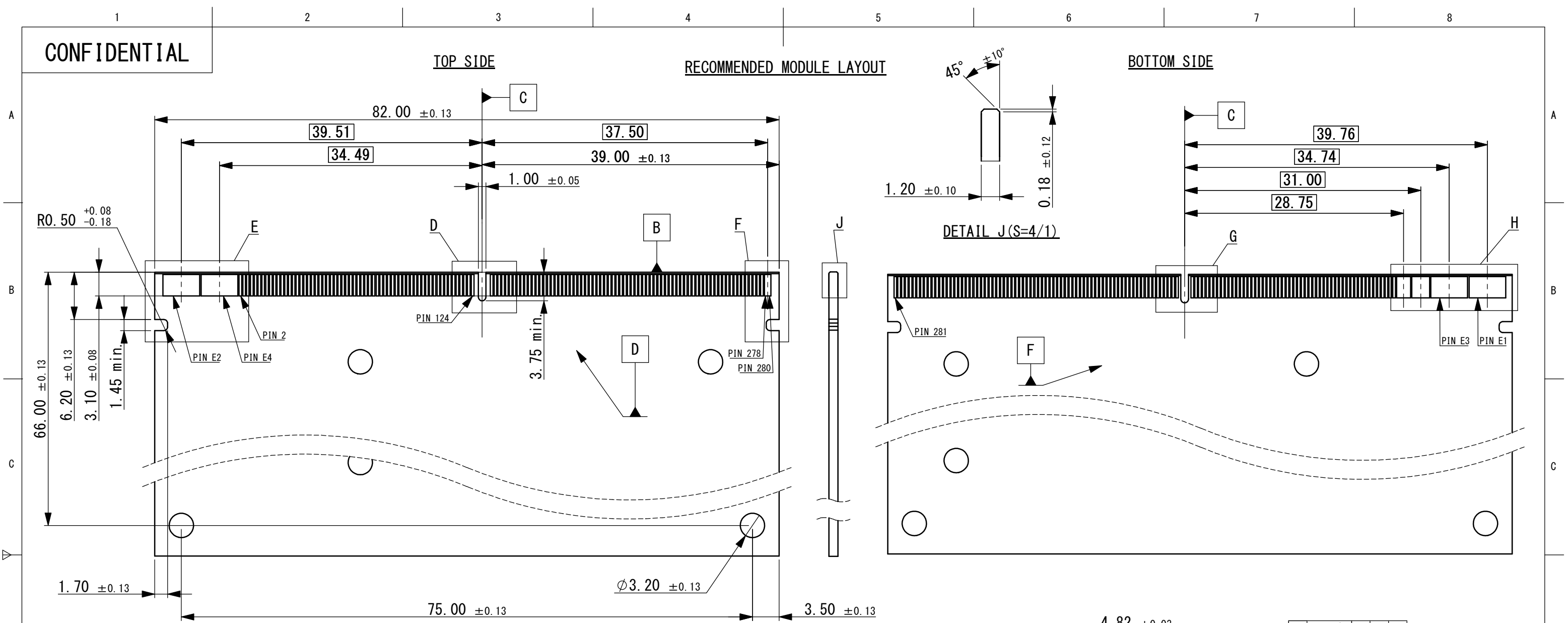
Tolerances ±0.30 unless otherwise specified. ( ) Reference value							
SCALE	2/1	APP.	APP.	CHK.	DRW.	DSGN.	CLASS
DIMENSION	mm						Part No.
ANGLE PROJ	3rd						CNU113-314-2201-VE
		T. Nishimura	O. Shimizu	H. Takahira	H. Takahira		DRW No.
							YEU-A3049
							Sheet No.
							2 / 4
							REV.
							E

CONFIDENTIAL

TOP SIDE

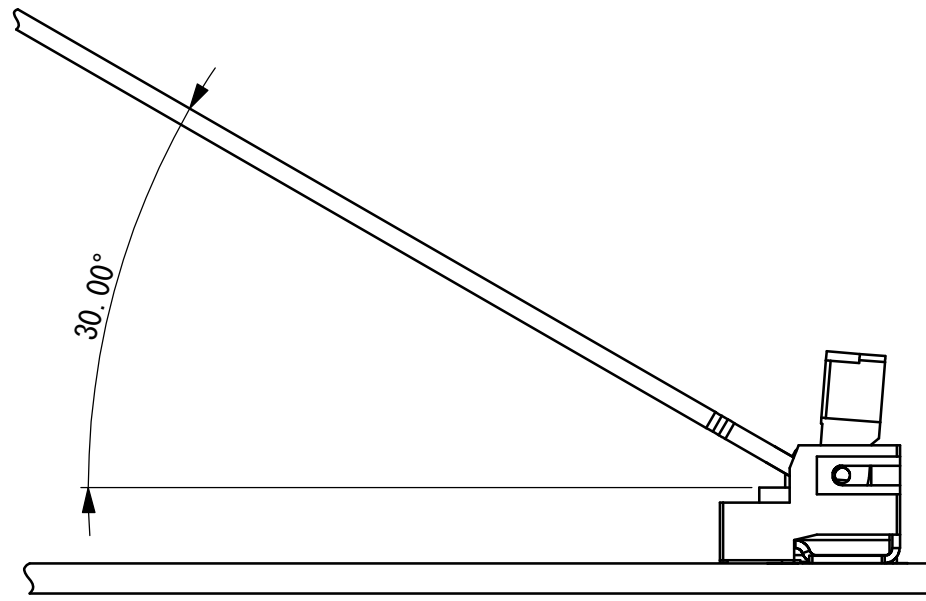
RECOMMENDED MODULE LAYOUT

BOTTOM SIDE

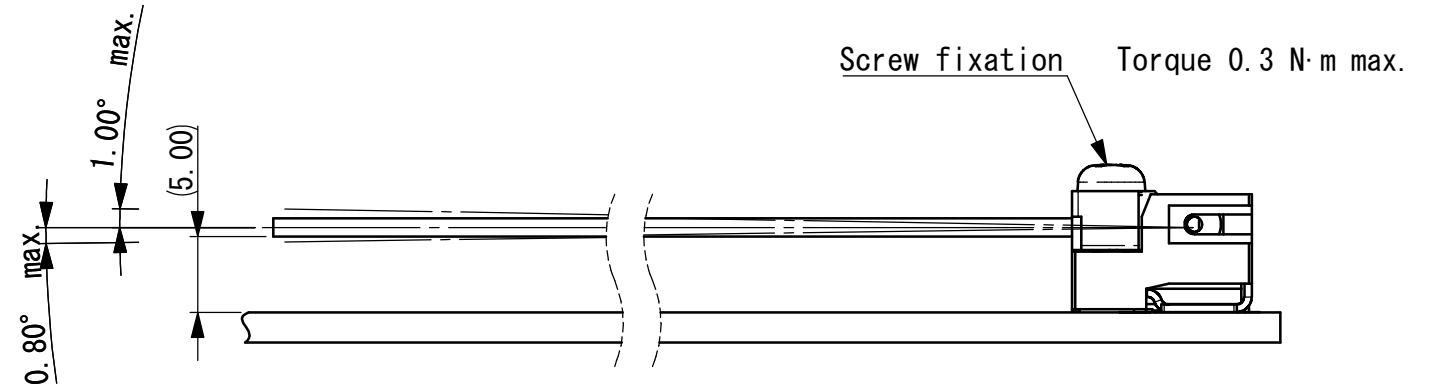


Tolerances $\pm 0.30$ unless otherwise specified. ( ) Reference value							CLASS	
SCALE	2/1	APP.	APP.	CHK.	DRW.		DSGN.	Part No. <b>CNU113-314-2201-VE</b>
DIMENSION	mm		'16/04/28	'16/04/28	'16/04/28	'16/02/18	DRW No.	Sheet No.
ANGLE PROJ	3rd		T. Nishimura	O. Shimizu	H. Takahira	H. Takahira	<b>YEU-A3049</b>	<b>3 / 4</b>
								REV. <b>E</b>
								A3-001

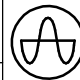
CONFIDENTIAL



Recommended mating angle of module



Module inserted position

Tolerances $\pm 0.30$ unless otherwise specified. ( ) Reference value							 <b>YAMAICHI ELECTRONICS USA INC.</b>	
SCALE	2/1	APP.	APP.	CHK.	DRW.	DSGN.	CLASS	
DIMENTION	mm		'16/04/28	'16/04/28	'16/04/28	'16/02/18	Part No. <b>CNU113-314-2201-VE</b>	
ANGLE PROJ	3rd		T. Nishimura	O. Shimizu	H. Takahira	H. Takahira	DRW No. <b>YEU-A3049</b>	Sheet No. <b>4 / 4</b> REV. <b>E</b>
							8	A3-001

## X-ON Electronics

Largest Supplier of Electrical and Electronic Components

*Click to view similar products for [I/O Connectors](#) category:*

*Click to view products by [Yamaichi](#) manufacturer:*

Other Similar products are found below :

[571763P](#) [72.250.1628.2](#) [72.250.2428.2](#) [74720-0505](#) [76.350.0729.0](#) [76871-1403](#) [FCN-244F080-G/1](#) [FCN-260A9920](#) [MP-5T180MUNNA-005](#)  
[PCR-E36PM](#) [PCS-XE26MA+](#) [G38A71314B](#) [1571250010](#) [157-22500-3](#) [MS3471L14-19P L/C](#) [91-569786-35H](#) [172501-4002](#) [172501-6002](#)  
[FCN-260C008-A/L0](#) [FCN-260C024-AL0](#) [FCN-261Z008](#) [2000314-1](#) [200331-1](#) [PCR-E36FC+](#) [PCS-E28FS+](#) [PCS-XE26SLFD+](#) [PCS-](#)  
[XE26SLFDT+](#) [G730VID08BDC24](#) [U90B2054081210](#) [UE86K842720321](#) [38113800006](#) [DP3AR020WQ1R200](#) [Z4.102.0680.0](#) [500-1040](#)  
[500-1052](#) [500-1054](#) [ZP-4008-66L](#) [0709821002](#) [10-565995-597N](#) [DX40-20P\(55\)](#) [5554841-1](#) [U90B3054061110](#) [U65-E04-4020](#)  
[ZPF00000000097891](#) [557-262M2-06C](#) [747360449](#) [10099439-003C-TRLF](#) [10137239-0021LF](#) [E9320-001-01](#) [10137239-0011LF](#)